

Perfecting your art.



ZEISS EXTARO 300



zeiss.com/dentistry/extaro-300

Seeing beyond

<https://stomshop.pro>

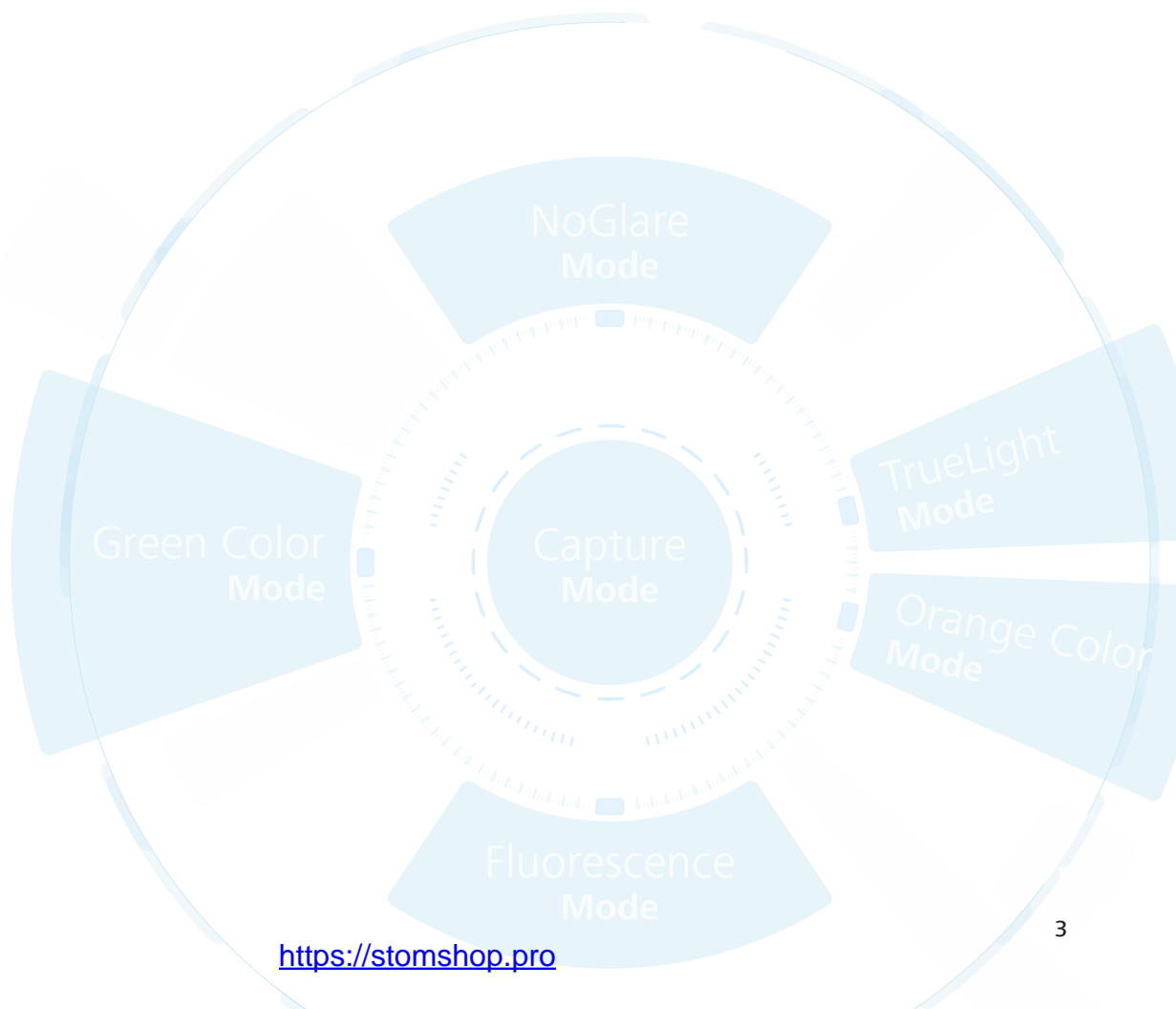


ZEISS EXTARO 300

Visualize Beyond

Are you constantly looking for ways to elevate and differentiate your practice from mainstream dental providers? At ZEISS we know the challenges you face when you are aiming for the highest levels of performance and results – both functionally and aesthetically.

EXTARO® 300 from ZEISS provides breakthrough visualization modes that introduce new applications to microdentistry. From more efficient caries detection to a simpler tooth restoration workflow, ZEISS EXTARO 300 is poised to revolutionize and differentiate your practice.



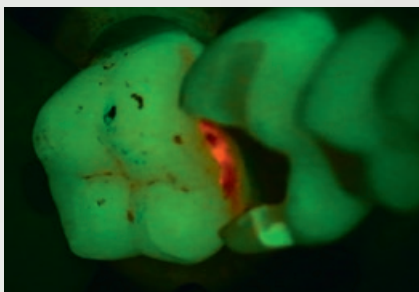


Augmented Visualization

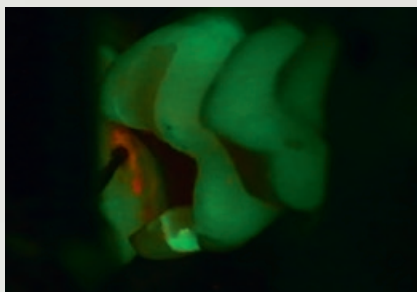
Repair caries-infected fillings efficiently

The **Fluorescence Mode** in ZEISS EXTARO 300 helps you to preserve as much of the healthy tooth substance as possible. As the first device combining caries detection technology¹ with optical magnification, the Fluorescence Mode in ZEISS EXTARO 300 supports detection of carious tooth substances during excavation of previously opened cavities.

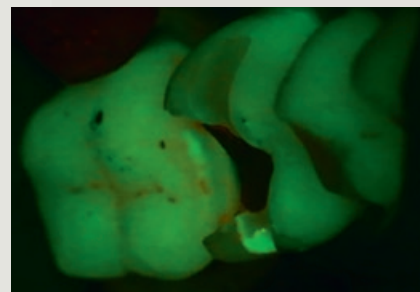
Identification of carious tissue under microscope visualization saves precious time as there is no need to interrupt the workflow for visual support.



Fluorescence Mode



Treatment using the Fluorescence Mode



Result after treatment using the Fluorescence Mode

Images courtesy of Dr. Tomas Lang, Essen, Germany

¹ *Jahrbuch der Endodontie 2017, Marktübersicht Mikroskope, OEMUS Verlag*

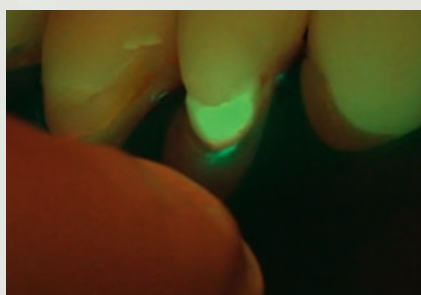


The Mode Control allows activation of all visual modes on one interface.

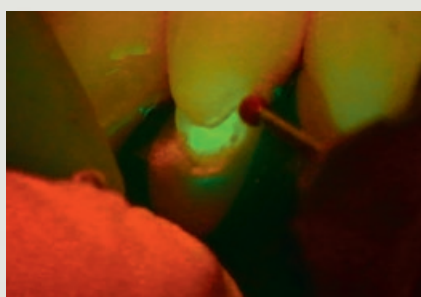
Augmented Visualization

Differentiate tooth material

The **Fluorescence Mode** in ZEISS EXTARO 300 also supports you in distinguishing natural hard tooth tissue from the most widely used dental composite resin². Using this clear visual differentiation will help you to target the affected area quickly, saving you valuable chair time during excavation.



Fluorescence Mode



Treatment using the Fluorescence Mode



Magnified view

*Images courtesy of Dr. Tom Schloss,
Nuremberg, Germany*

² For specifications see user manual

Augmented Visualization

Treat without distractions

Analyze and restore teeth without distracting reflections.

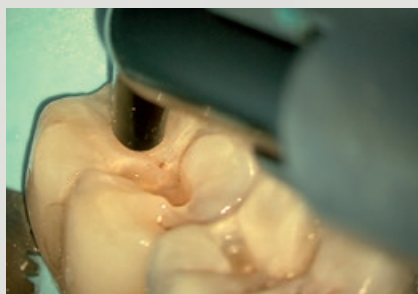
As the first device to combine polarized illumination with magnification³, the **NoGlare Mode** in ZEISS EXTARO 300 allows you to precisely analyze the color shades of a tooth. The cross-polarization capability visualizes fine, but relevant details such as color nuances. It effectively suppresses obtrusive light reflections from the tooth surface.

Prevent premature composite curing while working in a natural light environment.

Similar to the existing Orange Color Mode, the **TrueLight Mode**⁴ in ZEISS EXTARO 300 does not cause premature polymerization of widely-used, contemporary light curing composites under the microscope, giving you more time to finish complex modeling tasks. The optimized color balance of the TrueLight Mode now allows you to identify relevant dental tissues in a natural, white-light setting.



Magnified view



Filling composite using the TrueLight Mode



Modeling of composite using the TrueLight Mode

Images courtesy of Oscar Freiherr von Stetten, Stuttgart, Germany

³ Jahrbuch der Endodontie 2017, Marktübersicht Mikroskope, OEMUS Verlag

⁴ For specifications see user manual



Digital Patient Communication

Benefit from a digital workflow

The integrated HD camera of ZEISS EXTARO 300 records wirelessly to the [ZEISS Connect App](#), from where images and videos can be directly transferred to your local network.

Easily educate your patients and show them the value of your work.

ZEISS EXTARO 300 innovates patient interaction. With the [ZEISS Connect App](#), you can show images of past and current patient conditions and highlight areas requiring treatment, enabling your patients to make informed decisions.





Single-Handed Operation

Experience an uninterrupted workflow

With only one finger, you can reach the multifunctional **Mode Control** to activate all visualization and capture modes as well as the light settings. From the same hand position, you can adjust the focus without leaving your preferred ergonomic working position.



Activating the Visualization and Capture Modes and light settings

One finger suffices

Activate all the **Visualization Modes** described before to augment your vision and introduce new applications to microdentistry.

Use the **Capture Mode** to record videos and images for documentation purposes and to educate your patients. This helps them make an informed decision and value your expertise.



Operating the Varioskop 230

Use the **Varioskop® 230** to adjust the focal length to focus on the whole oral cavity and on minute details in the vertical axis.

Control all light settings to adjust the brightness as well as the motorized **SpotLight** diameter for a focused treatment. Your patient and assistant will not be bothered by unnecessary light while using a long working distance.



Varioskop 230
operation

Variable working
distance of
200 – 430 mm

Technical Data

EXTARO 300 from ZEISS

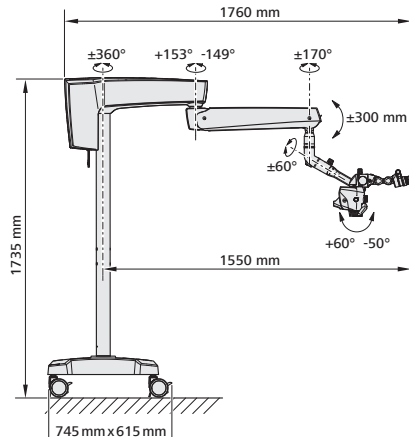
		Packages		
		Essential	Classic Plus	Premium Dental
Magnification System	Manual 5-step apochromatic magnification changer	●	●	●
Eyepieces	12.5x widefield eyepieces	●	●	●
	without reticle	●	●	●
	with reticle	□	□	□
	10x widefield eyepieces	□	□	□
	without reticle	□	□	□
	with reticle	□	□	□
Tube	180° tiltable tube	●	●	●
Focus	Varioskop 230, working distance 200–430 mm	●	●	●
Illumination System	TriLED, 5500 K	●	●	●
	Orange Color Mode	●	●	●
	Green Color Mode	●	●	●
User Interface	Ergonomic handgrip	●	●	●
	Mode Control	●	●	●
	Single finger adjustable illumination, focus and SpotLight (motorized aperture control)	●	●	●
Augmented Visualization	Upgradable kit (mandatory for Augmented Visualization Modes)	□	●	●
	Fluorescence Mode	□	○	○
	TrueLight Mode	□	○	○
	NoGlare Mode	□	○	○
Communication	Essential: Integrated HD camera with recording on USB; HDMI output	●	□	
	Complete: Integrated HD camera with recording on USB or wireless recording to the ZEISS Connect App; network integration available for archiving purposes; HDMI output	○	□	●
	DICOM	○	□	○
	Adapter for digital cameras (Full-frame or APS-C)	□	○	□
Ergonomics	Foldable Tube f170/f260 including the PROMAG function boosts to 150% magnification for a detailed view	○	○	○
	MORA Interface – remain in an upright position regardless of the angle of view:			
	with documentation port	□	●	□
	without documentation port	□	□	●
	Straight coupling (compatible with all suspension systems)	□	○	○
Illumination System	LightBoost – Xenon equivalent light intensities*	○	●	●
Asepsis	Starter Kit Asepsis with high quality splash protection for the objective lens and resterilizable covers for Varioskop, Mode Control, magnification changer and PD adjustment	□	□	□
	Starter Kit VisionGuard® Lens Protectors	□	□	□
Suspension System	Floor stand	●	●	●
	Floor mount	○	○	○
	Ceiling mount	○	○	○
	Wall mount	○	○	○

● Basic configuration ○ Package options □ Add-ons

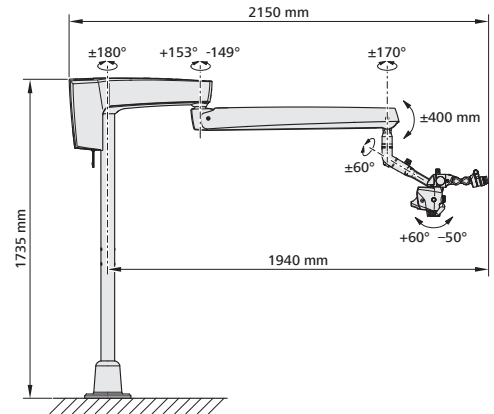
*Data on file

Suspension System Options

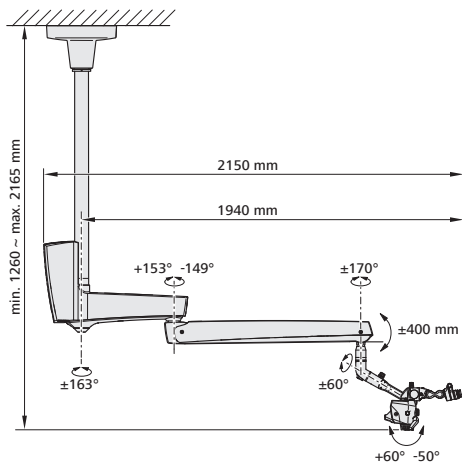
Floor stand



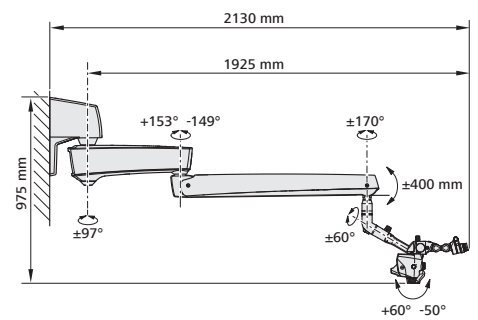
Floor mount



Ceiling mount



Wall mount





EXTARO 300



Carl Zeiss Suzhou Co., Ltd
Modern Industrial Square 3-B,
No.333 Xingpu Road
Suzhou Industrial Park, Suzhou
China 215126
www.zeiss.com/med/contacts



Carl Zeiss Meditec AG
Goeschwitzer Strasse 51–52
07745 Jena
Germany
www.zeiss.com/dentistry/extaro-300
www.zeiss.com/med/contacts



ZEISS Connect



Carl Zeiss Meditec AG
Goeschwitzer Strasse 51–52
07745 Jena
Germany
www.zeiss.com/dentistry/extaro-300
www.zeiss.com/med/contacts

<https://stomshop.pro>

EN_30_010_0300V1 Printed in Germany. CZ-11/2020 International edition: Only for sale in selected countries. Not for use in the US.
The contents of the brochure may differ from the current status of approval of the product or service offering in your country. Please contact our regional representatives for more information.
Subject to changes in design and scope of delivery and due to ongoing technical development. EXTARO, Varioskop and VisionGuard are either trademarks or registered trademarks of Carl Zeiss Meditec AG or other companies of the ZEISS Group in Germany and / or other countries.
© Carl Zeiss Meditec AG, 2020. All rights reserved.