

Ultrasonic & Powder Combination System

Varios Combi Pro



OPERATION MANUAL

Please read this OPERATION MANUAL carefully before use, and file for future reference.

Thank you for purchasing Varios Combi Pro. Please read this Operation Manual carefully before use for operating instructions and care and maintenance guidelines so that you can use it for many years to come through a correct use. Keep this Operation Manual within easy reach of users for future reference.

– Contents –

1. User and Intended Use 1

2. Precautions for handling and operation 1

3. Accessory List 5

4. Names of Components 6

5. Installation 8

6. Check before treatment 11

7. Using the Ultrasonic Mode 12

8. Using the Powder Mode 16

9. Maintenance 20

10. Care and Maintenance 25

11. Other Functions 30

12. Periodical Maintenance Checks. 31

13. Error Code. 31

14. Troubleshooting 32

15. Specifications 35

16. Classification of Equipment. 35

17. Operation Principle. 36

18. Symbol 36

19. Warranty 36




20. Option Parts List 36

21. Spare Parts List 37

22. Disposing product 38

23. EMC Information (Electromagnetic Compatibility Information) 38

* Some sections are indicated with the mark(s) below to show the mode(s) related to the section.

-  Description regarding Ultrasonic Mode
-  Description regarding Prophy Mode under Powder Mode
-  Description regarding Perio Mode under Powder Mode



1 User and Intended Use

User: Dentist, dental hygienist

Intended Use: Tooth surface cleaning, removal of plaque or calculus, tooth resection, expansion or cleaning of root canal, removal of foreign substances, root canal obturation, enhancing adhesion of fixed restorations, incision or removal of periodontal tissue

2 Precautions for handling and operation

- Please read these precautions carefully and use only as intended or instructed.
- Safety instructions are intended to avoid potential hazards that could result in personal injury or damage to the device. Safety instructions are classified as follows in accordance with the seriousness of the risk.

Class	Degree of Risk
 WARNING	Hazard that could result in serious injury or damage to the device if the safety instructions are not correctly followed.
 CAUTION	Hazard that could result in light or moderate injury or damage to the device if the safety instructions are not correctly followed.
NOTICE	General product specification information highlighted to avoid product malfunction and performance reduction.

⚠ WARNING

<Ultrasonic Mode and Powder Mode>



- Do not handle the power cord with wet hands. Wet hand contact with electricity may result in an electric shock.
- Keep away from explosive substances and flammable materials.
- If the product overheats or smells of burning, immediately turn off the power and disconnect the main power cord. Contact your Authorized NSK Dealer.
- TO PREVENT ELECTRIC SHOCK, use a main electrical outlet that is earthed.
- Do not operate close to patients with cardiac pacemakers as there is a danger that it may affect the pacemaker.
- The system functions normally in the environment where the temperature is at 0 - 40°C (32 - 104°F), humidity at 35 - 75% RH, and no moisture condensation in the Control Unit. Using in conditions outside these limits may cause malfunction.
- Be careful not to get water or liquid disinfectant in the Control Unit. This could cause short circuits and lead to fire and/or electric shock.
- Repeatedly turning the Main Power Switch ON and OFF may blow a fuse.
- If water droplets, chemicals, solvents or antiseptic solution come into contact with the Control Unit, Handpiece, Handpiece Cord, Handpiece Hose, etc., wipe them off immediately. Failure to do so may result in discoloration or deformation.
- Connect to a public water system that provides drinkable water at a water pressure between 0.1 and 0.3MPa. Using with an incorrect water pressure may result in insufficient water supply, inoperability, or malfunction.
- Use a water softener, etc. to lower the hardness of the water, because using water with a high degree of hardness may cause mineral or limescale deposits in the water circuit, which can lead to problems such as insufficient water levels, operation problems, or breakdown. When doing so, use a Water Tube with a Water Filter to prevent device breakdown due to the foreign material in tap water, and refer to "10-3 Changing the Water Filter" to replace the Water Filter as required.
- Do not sterilize using ultraviolet light. Doing so may result in discoloration of the Handpiece.
- Hold the plug when pulling out the Handpiece Cord or Handpiece Hose. Pulling the Cord or Hose may cause disconnection or damage.

<Ultrasonic Mode>



- Always use the water supply. Insufficient water supply results in overheating, which may damage the surface of the patient's tooth.
- Do not allow the patient or assistant to look directly into the LED of the Handpiece or Handpiece Cord. Doing so may damage eyesight.

<Powder Mode>



- Do not use on the following patients.
 - Those with medical complications or allergies
 - Those who have pre existing conditions (Eg Cardiac, Pulmonary, Renal disturbance or High blood pressure)
 - Those with respiratory diseases.
 - Those with pathologically deep periodontal pockets (6mm or more) or mucosal lesions. Prolonged application of the spray to soft tissue or salivary glands may cause powder air to enter soft tissue or salivary glands, resulting in emphysema.
 - Those with severe digestive ulcers.
 - Those with renal dysfunction.
 - Those with lung or cardiac disturbance or ventilatory impairment.
 - Those with an artificial heart valve or artificial joint
 - Those with allergies. Depending on the patient's constitution, allergy symptoms or stomatitis may be caused in very rare cases. If such symptoms are detected, stop using the product immediately and seek medical attention.
- During use, both the operator and the assistant should always wear protective glasses and protective face masks. Also, continuously vacuum and collect ejected powder during use. If any powder gets into the eyes, eyes wash out immediately with copious amount of water and consult an ophthalmologist.
- Set the supply air pressure to 0.55 - 0.75MPa and use clean, dry air. Using with the incorrect pressure may result in insufficient spray pressure (power), inoperability or malfunction.

<Prophy Mode>



- Do not spray directly onto the cement in the root canal, decalcified enamel, filling, margin of a prosthesis or filling.

⚠ WARNING

<Perio Mode>



- When using Perio Mode, pay attention not to cause emphysema as air containing powder is sprayed into periodontal pockets. If emphysema is caused by treatment using Perio Mode, stop using this product immediately and seek medical attention.
- Do not use on the following patients. Using on periodontal pockets for these patients may result in bacteremia.
 - Patients with endocardial inflammation
 - Patients who have a contagious illness or disease
 - Patients with an immune deficiency disease (neutropenia, granulocytopenia, agranulocytosis, diabetes, hemophilia)
 - Patients undergoing irradiation treatment, chemotherapy, or antibiotic treatment
- Do not use on the following patients. (Excluding the using without the Nozzle Tip)
 - Those with damage or abnormality in the oral cavity.
 - Those with hyperemia, hemorrhage or inflammation in the oral cavity.
 - Those that tend to develop inflammation or sores in the oral mucous membrane.
- Use this product only for maintenance after basic periodontal treatment. Never use it for other purposes.
- Use Perio Mode only on periodontal pockets that meet the following conditions:
 - Periodontal pockets caused by gum disease
 - Periodontal pockets of less than 6mm that have undergone basic periodontal treatment
- Check the depth of periodontal pockets with a measurement probe or photography before use.
- Use the designated cleaning powder only. Use of other powders may result in malfunction, substandard performance or damage to the substantia ossea and dentine, or may cause emphysema. NSK cannot accept any liability for issues that occur as a result of the use of powder other than those designated.
- Nozzle Tip for Perio Mode included in the product package is a sterile item. When using these products, follow the instructions below.
 - Nozzle Tip is a single-use item. Do not reuse nor resterilize it as product breakage or infection could occur.
 - Check before use that the package is NOT open nor damaged. If the package is open or damaged, do not use that Nozzle Tip as it may be damaged or contaminated.
 - Observe the use-by date written on the Nozzle Tip package label. Do not use expired products as product breakage or infection could occur.

⚠ CAUTION

<Ultrasonic Mode and Powder Mode>



- Read this Operation Manual before use to fully understand the product functions and file for future reference.
- When operating the product always consider the safety of the patient.
- The end user shall be responsible for any judgment that relates to the application of this product to a patient.
- Users are responsible for the operational control, maintenance and continual inspection of this product.
- This device is for indoor use only.
- Keep the Control Unit on a level surface.
- Do not attempt to disassemble the product nor tamper with the mechanism except as recommended by NSK in this Operation Manual.
- Do not allow any impact on to the product. Do not drop the product. The Glass Rod and Handpiece may be damaged if the Ultrasonic Handpiece is dropped.
- Operators and all others in the area must wear eye protection and a mask while using this product.
- Should the product function abnormally, cease operation immediately and contact your Authorized NSK Dealer.
- Push the Handpiece securely and fully onto the Handpiece Cord or Handpiece Hose when connecting.
- Do not autoclave the Handpiece Cord or the Handpiece Hose. Use alcohol to disinfect the Cord or Hose after use.
- Do not use high acid water or sterilizing solutions to wipe, immerse or clean the product.
- This product is not delivered in a sterile condition, except for the Nozzle Tip (option) and must be autoclaved prior to use. Refer to “9-3 Sterilization” for details.
- Perform regular function and maintenance checks.
- If the product is not used for a long period check it is functioning correctly before using on a patient.
- To avoid clinical downtime it is recommended that a spare be kept on hand in case of a breakdown during surgery.
- Always replace the fuse with the same specified rating.
- This product is rated Medical Electrical equipment. EMC (Electromagnetic compatibility) is described in the documentation included.
- Installation and use of this product requires special precautions regarding EMC according to the EMC information.
- Portable and mobile RF communications equipment can affect Medical Electrical equipment. Do not use RF equipment near the product.
- The use of ACCESSORIES such as handpieces and cables, other than those specified by the manufacturer, with the exception of handpieces and cables sold by the manufacturer of this product as replacement parts for internal components, may result in increased EMISSIONS or decreased IMMUNITY of this product.
- This product should not be used adjacent to, or stacked with, other equipment. If adjacent or stacked use is necessary, this product should be observed to verify normal operation in the configuration in which it will be used.

⚠ CAUTION

- The system may present a possibility of malfunction when used in the presence of an electromagnetic interference wave. Do not install the system in the vicinity of any device which emits magnetic waves. Turn off the Main Power Switch of the system as an ultrasonic oscillation device or an electrode knife is located close to the vicinity of use.
- U.S. Federal law restricts this device to sale by or on the order of a licensed physician.
- For safety's sake, install the Control Unit in a place where the AC Power Cord can be easily removed. (It is possible to disconnect the control unit from the power source by removing the AC Power Cord.)

<Ultrasonic Mode>



- The temperature of the Tip surface may reach 65°C without using coolant water. To avoid this event, be sure to use coolant water.

<Powder Mode>

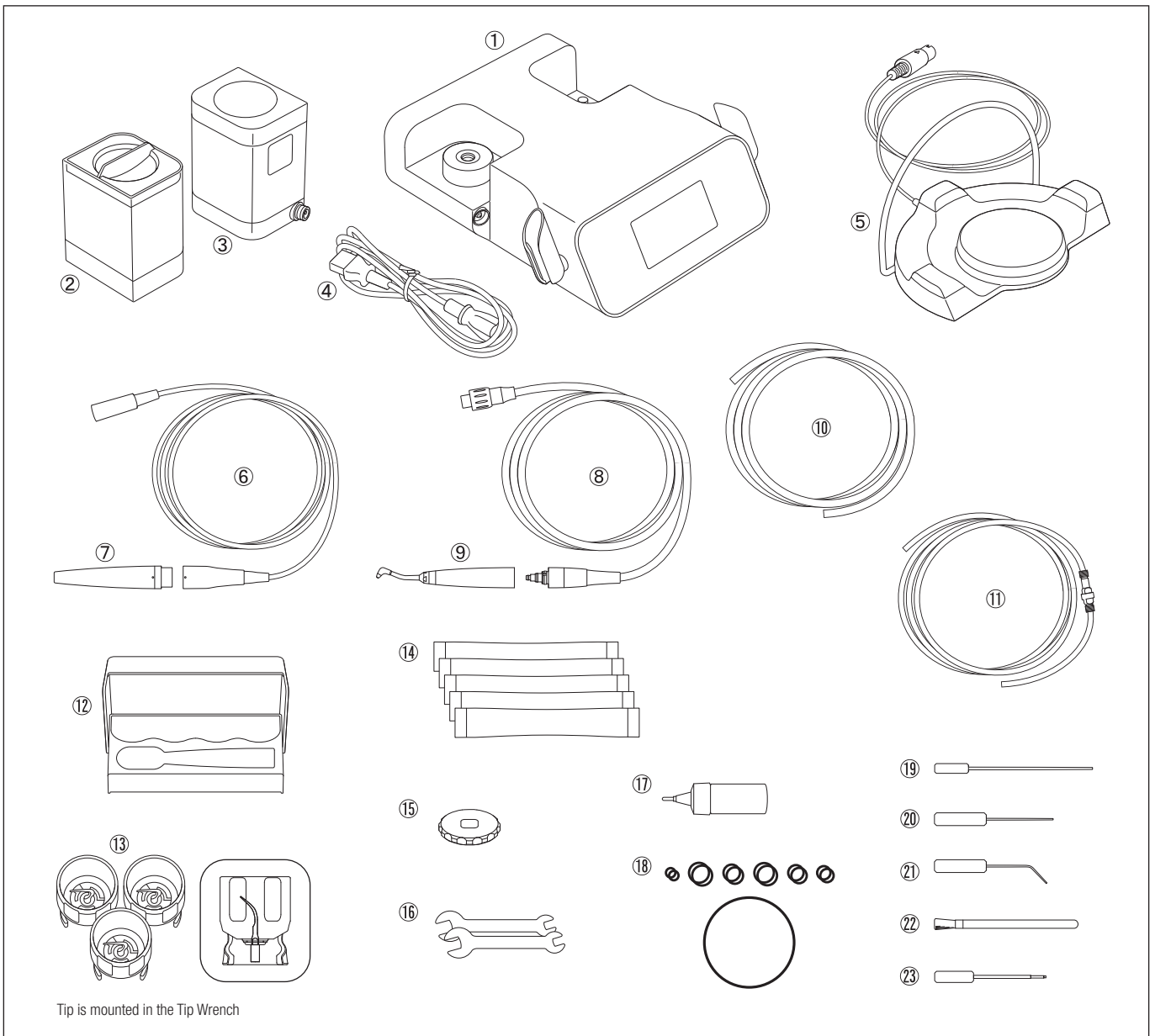


- Be very careful to ensure cleaning powder does not enter the patient's mucosal areas (eyes, nose, etc.) other than the oral cavity. Also, protect the face with a towel or protective glasses, etc., to prevent the cleaning powder from getting into the patient's eyes.
* If the patient wears contact lenses, have the patient wear safety glasses or remove his/her contact lenses before treatment.
- Make sure the compressed air supply is clean and dry. Water or oil content mixed in the air supply may cause solidification of the cleaning powder inside the product.
- Securely attach the Chamber Cap to prevent the chamber cap from being blown off, which may lead to an injury.
- Do not open the Chamber Cap during use. Doing so may result in powder being ejected from the chamber cap due to high pressure in the chamber.
- Before connecting the Handpiece Hose, Chamber and Handpiece, or the Chamber and Control Unit, be sure to blow off all water from the connections of the Hose and the Chamber with dry air. Failure to do so may result in moisture entering the air supply, causing solidification of the cleaning powder inside the product.
- Depending on the use environment, the temperature of the Powder Handpiece surface may reach 50°C.
- If too much cleaning powder is put into the Chamber, the proper amount of powder may not be sprayed at the start of use.
- Powder scatters easily because it is very fine. Fill the Chamber slowly and be sure to prevent the powder from scattering.
- Powder stored for a long time in opened packaging may become moist and clog. Always use new, dry powder. When using bottled powder (option), securely fasten the bottle lid after use.
- Apply Vaseline, etc., to the patient's lips to prevent drying or chapping at the corners of the mouth.

NOTICE

- No special training is required for this device.
- Repeated autoclaving may cause the ultrasonic handpiece to become discolored due to heat. However, this is due to properties of the product and is not a problem in terms of quality.

3 Accessory List



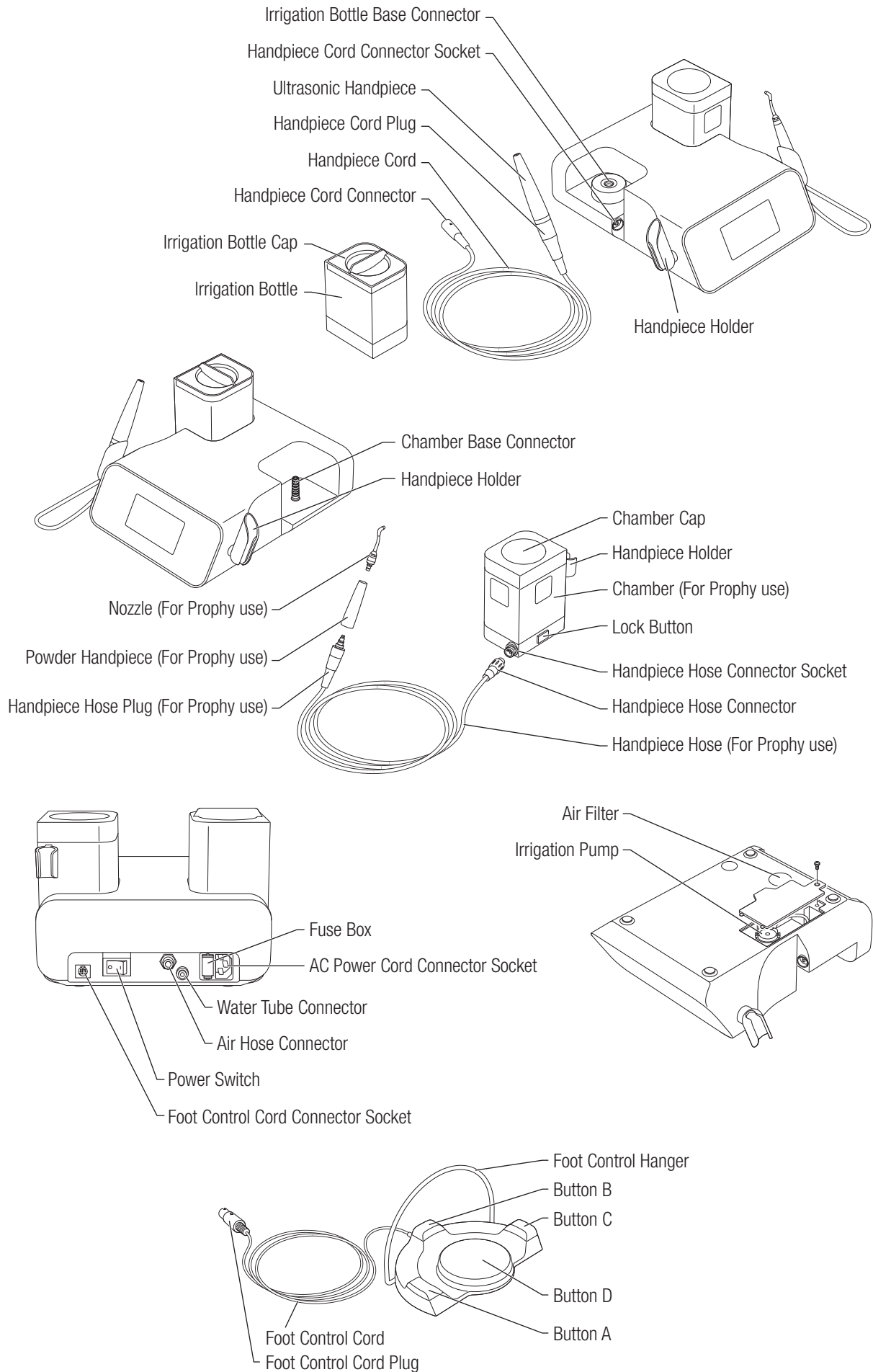
No.	Part Name	Quantity	No.	Part Name	Quantity
1	Control Unit	1	14	FLASH pearl	5
2	Irrigation Bottle	1	15	Ring Wrench	1
3	Chamber (For Prophy use)	1	16	Spanner Wrench (5×8)	2
4	AC Power Cord	1	17	Turbine Oil	1
5	Foot Control	1	18	Spare O-Ring	7 types
6	Handpiece Cord	1	19	Cleaning Wire (L)	1
7	Ultrasonic Handpiece	1	20	Cleaning Wire (S)	1
8	Handpiece Hose (For Prophy use)	1	21	Cleaning File	1
9	Powder Handpiece (For Prophy use)	1	22	Cleaning Brush	1
10	Air Hose	1	23	Unlocking tool	1
11	Water Filter Set	1	24	Operation Manual (This manual)*	1
12	Sterilization case	1	25	Tip-Power Guide*	1
13	Tip and Tip Wrench	3	26	Tip Card*	1
			27	Varios Combi Pro Quick Operation Guide*	1

* Not shown in the illustrations above

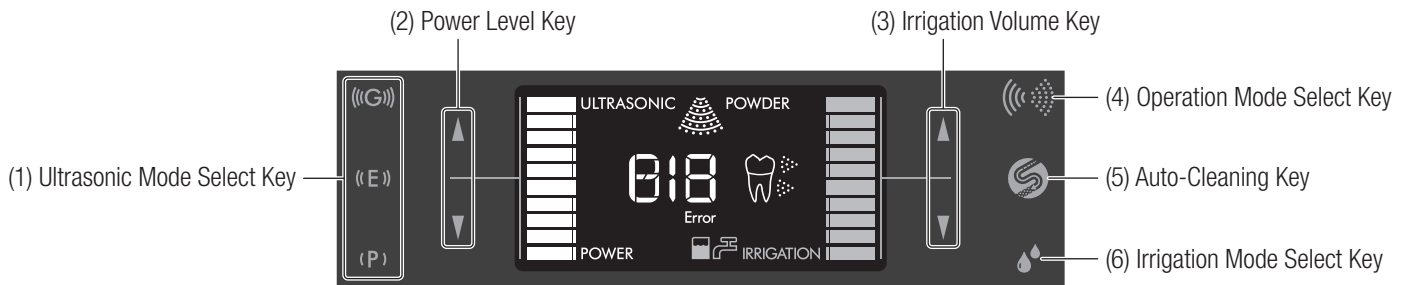
NOTICE

- FLASH pearl and Perio-Mate powder (option) used in Powder Mode are referred to as “Powder” in this Operation Manual unless otherwise specified.
- Optional Perio Kit need to be purchased separately in order to use Perio Mode. Refer to “20 Option Parts List” for details of Perio Kit.

4 Names of Components



4-1 Operation Panel



(1) Ultrasonic Mode Select Key

Switches the Ultrasonic Mode between P (Perio), E (Endo), G (General). The strongest power level is G, followed by E and P. Power Level, Irrigation Level, and Irrigation Mode can be set for each mode.

(2) Power Level Key

Sets the power level using the ▲/▼ keys.

(3) Irrigation Volume Key

Sets the irrigation volume using the ▲/▼ keys.

(4) Operation Mode Select Key

Switches between "Ultrasonic Mode" and "Powder Mode."

(5) Auto-Cleaning Key

Starts Auto-Cleaning. Refer to "9-1-1 Auto-Cleaning" (Ultrasonic Handpiece) or "9-2-1 Auto-Cleaning" (Powder Handpiece) for details.

Ultrasonic Mode:

Sprays tap water for 15 seconds, then sprays water from the Irrigation Bottle for 30 seconds to clean the Ultrasonic Handpiece.

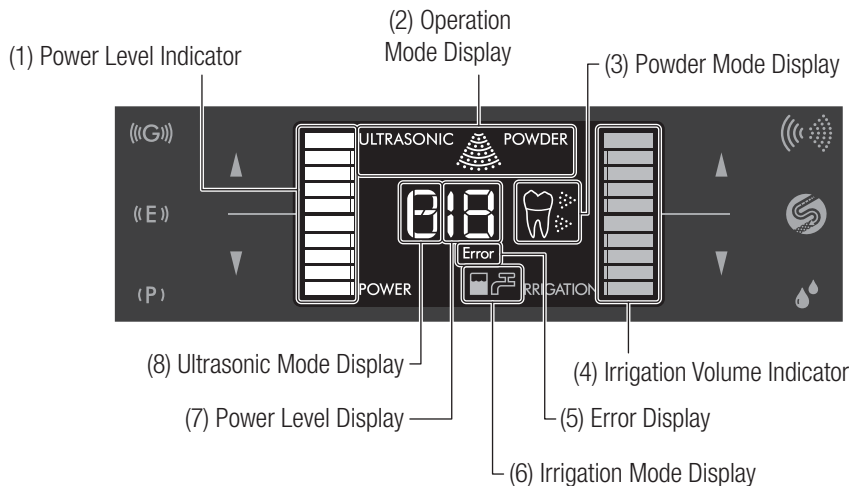
Powder Mode:

Sprays air and water at the same time for 10 seconds and then sprays only air for 35 seconds.

(6) Irrigation Mode Select Key

Switches the Irrigation Mode (Bottle or tap water) for Ultrasonic Mode. Tap water is always used for Powder Mode.

4-2 LCD Panel



(1) Power Level Indicator

Displays the current power on the Bar Graph Indicator.

(2) Operation Mode Display

Displays the current Operation Mode (Ultrasonic or Powder).

(3) Powder Mode Display

Displays the set chamber (Prophy or Perio) (only when Powder Mode is in use).

(4) Irrigation Volume Indicator

Displays the selected Irrigation Level on the Bar Graph Indicator.

(5) Error Display

Displayed when an error occurs. Refer to "13 Error Code" for details.

(6) Irrigation Mode Display

Displays the Irrigation Mode (Bottle or tap water) for Ultrasonic Mode. Tap water is always used for Powder Mode.

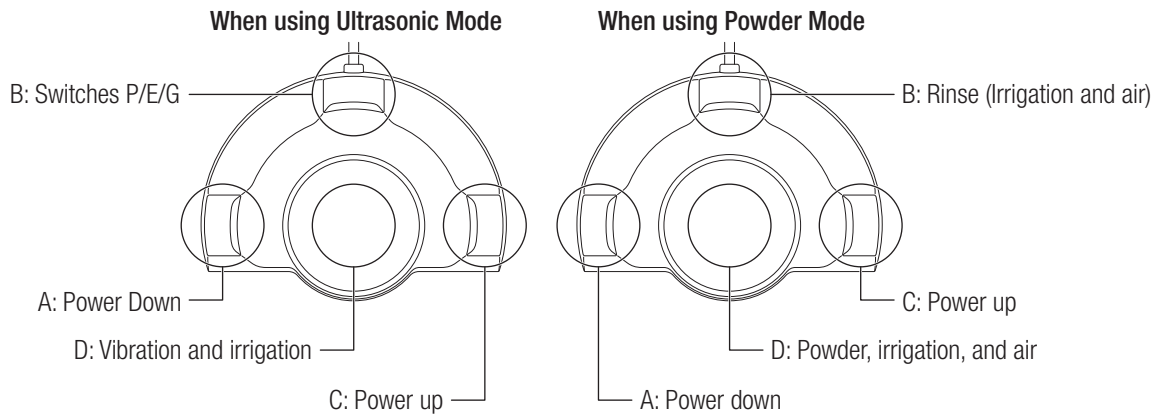
(7) Power Level Display

Displays the current Power Level as a number.

(8) Ultrasonic Mode Display

Displays the current Ultrasonic Mode (P/E/G).

4-3 Foot Control



Ultrasonic Mode

- A: Power Down
Reduces the power level.
- B: Switches P/E/G (Ultrasonic Mode)
Toggles Ultrasonic Mode in the order of P (Perio) → E (Endo) → G (General) → P (Perio)... every time the button is depressed.
- C: Power up
Increases the power level.
- D: Vibration and irrigation
Vibrates and irrigates while the button is depressed.

Powder Mode

- A: Power Down
Reduces the power level.
- B: Rinse (Irrigation and air)
Sprays water and air while the button is depressed.
- C: Power up
Increases the power level.
- D: Powder, irrigation, and air
Sprays powder, water, and air while the button is depressed.

5 Installation

5-1 Connecting the AC power cord

- 1) Turn the Power Switch to OFF before connecting the AC power cord.
- 2) Insert the AC Power Cord so that it correctly fits into the AC Power Cord Connector Socket at the back of the Control Unit (Fig. 1).
- 3) Plug the AC power cord into a wall outlet specified for medical use.

- CAUTION**
- Do not tug the AC power cord by holding and pulling its cord.
 - Make sure that the device has completely stopped before removing or inserting the AC power cord.

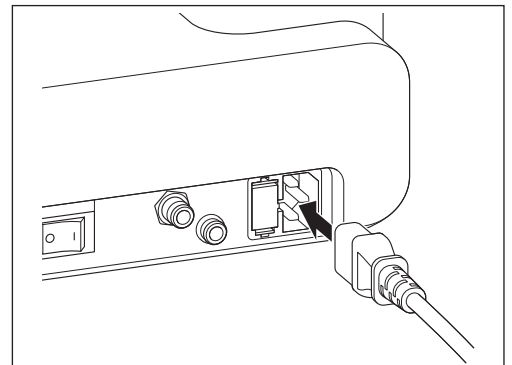


Fig. 1

5-2 Connecting the Air Hose

- 1) Insert one end of the Air Hose deep into the Air Hose Connector (Fig. 2).
- 2) Pull the Air Hose gently and check that the Hose does not come out.
- 3) To remove the Air Hose, pull the Air Hose out while pushing the blue ring toward the Control Unit (Fig. 3).

CAUTION • Use clean dry air. Powder may clog if the air contains moisture or oil.

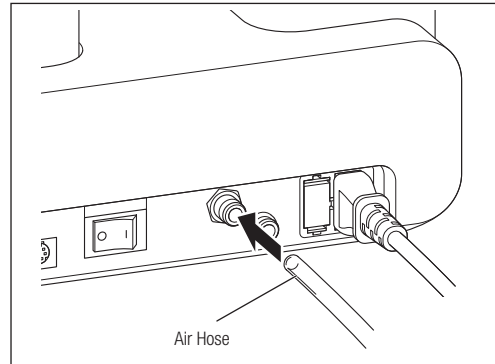


Fig. 2

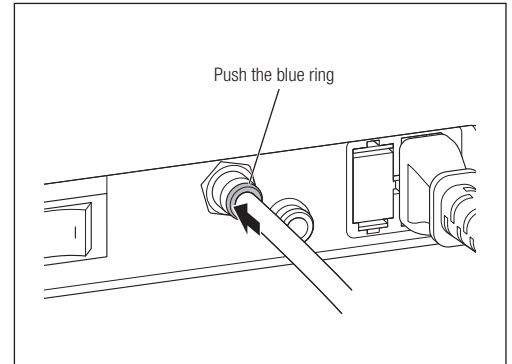


Fig. 3

5-3 Connecting the Foot Control

- 1) Insert the Foot Control Hanger so that it fits correctly into the holes at the rear of the Foot Control (Fig. 4).
- 2) Insert the Foot Control Plug into the Foot Control Cord Connector Socket with the ▲ mark facing upwards (Fig. 5).

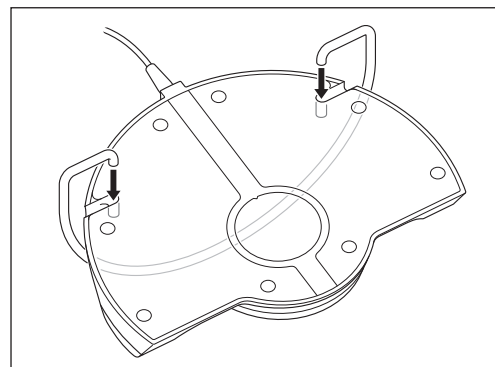


Fig. 4

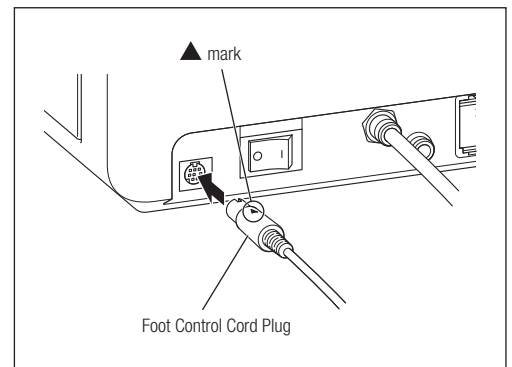


Fig. 5



5-4 Connecting the Handpiece Cord (Ultrasonic Handpiece)

Connect the Handpiece Cord Connector to the Handpiece Cord Connector Socket with the ▲ mark facing upwards (Fig. 6). Push it in all the way.

CAUTION • Check that the Handpiece Cord Plug is clean and dry before connection.

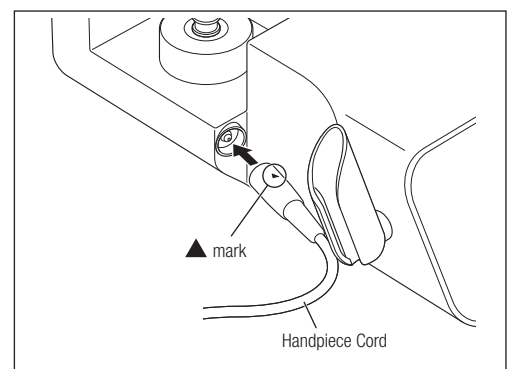


Fig. 6

5-5 Connecting the Handpiece Hose (Powder Handpiece)

- 1) Use air to dry the Handpiece Hose Connector Socket and Handpiece Hose Connector.
- 2) Insert the Handpiece Hose Connector so that it fits correctly into the hole on the Handpiece Hose Connector Socket and fasten the Connector nut (Fig. 7).

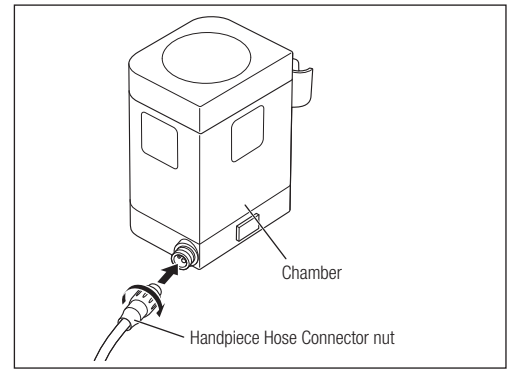


Fig. 7

5-6 Connecting and disconnecting the Handpiece

CAUTION • Be sure to only use the supplied Handpiece.

ULTRASONIC

5-6-1 Ultrasonic Handpiece

- (1) Connection
Align the dots on the Ultrasonic Handpiece and the Handpiece Cord Plug. Push the Handpiece straight into the connector (Fig. 8).
- (2) Disconnection
Hold the Ultrasonic Handpiece and the Handpiece Cord Plug and pull the Handpiece out.

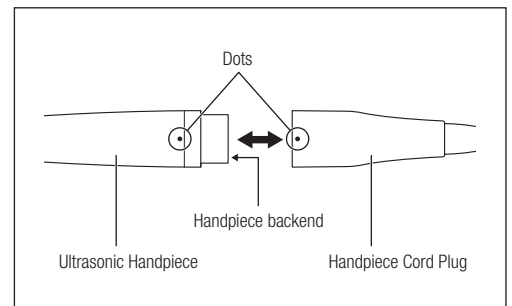


Fig. 8

WARNING • To avoid an electric shock, do not touch the electrical contacts of the handpiece backend and the handpiece cord.

CAUTION • Do not twist the Handpiece or Handpiece Cord when removing the Handpiece. Doing so may damage the Connector electrical contacts, resulting in malfunction.
• Before connecting the handpiece cord to the handpiece, face the handpiece connector side so light shines into it and check the end of the handpiece. If the light transmitted by the Optic Fiber End Face at the end is uniformly bright, it is functioning normally. If part or all is dark, the Optic Fiber End Face may be cracked or broken.

5-6-2 Powder Handpiece

- (1) Connection
 - 1) Use air to dry the connection between the Handpiece and Handpiece Hose Plug.
 - 2) Push the Powder Handpiece straight into the Handpiece Hose Plug (Fig. 9).
- (2) Disconnection
Hold the Powder Handpiece and the Handpiece Hose Plug, and pull the Handpiece out.

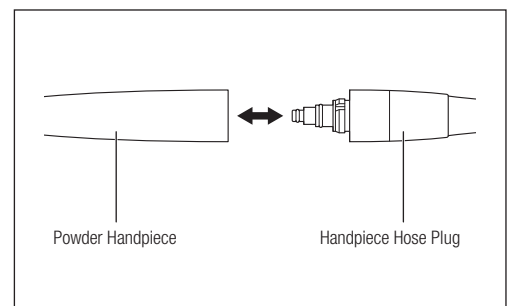


Fig. 9

5-7 Connecting the Water Tube

- 1) Insert one end of the Water Tube (the end with the water filter) deep into the Water Tube Connector (Fig. 10).
- 2) Connect the other end of the Water Tube to the water outlet on the dental unit.
- 3) Pull the Water Tube gently and check that the Tube does not come out.
- 4) To remove the Water Tube from the Water Tube Connector, pull the Water Tube out while pushing the green ring toward the Control Unit (Fig. 11).

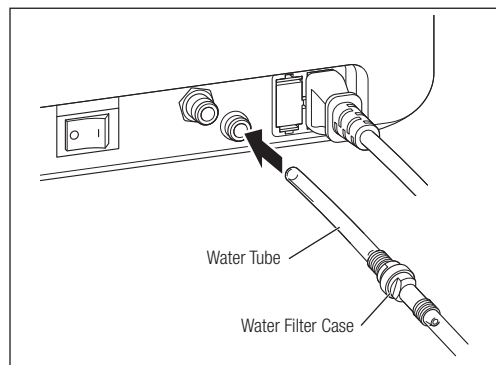


Fig. 10

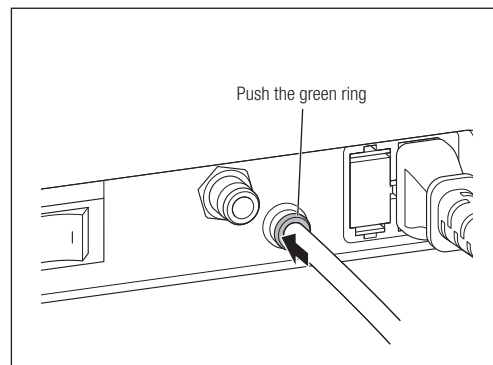


Fig. 11

WARNING

- Use a water softener, etc. to lower the hardness of the water, because using water with a high degree of hardness may cause mineral or limescale deposits in the water circuit, which can lead to problems such as insufficient water levels, operation problems, or breakdown. When doing so, use a Water Tube with a Water Filter to prevent device breakdown due to the foreign material in tap water, and refer to "10-3 Changing the Water Filter" to replace the Water Filter as required.

CAUTION

- If the water outlet on the dental unit has not been used for a long time, water may contain rust, etc. when it is run for the first time. Make sure that the water is clear before connecting the Water Tube.
- Insert the Water Tube firmly into the Water Tube Connector when connecting it to the Control Unit. Water may leak if the Tube is not inserted correctly.

6 Check before treatment

Before use, operate the product without a patient present to confirm there is no abnormal vibration, noise, heat, etc. Also check the following points.

- Ultrasonic Handpiece: LED lights and water flows.
- Powder Handpiece: Powder, air and water are supplied correctly.

If you notice anything unusual when checking or operating this product, stop using it immediately and contact your authorized NSK dealer. When you perform Auto-Cleaning, the water inside the Handpiece Cord/Hose is ejected, which may make stop water from flowing when using the Control Unit the next time. If that happens, set the Irrigation Volume to 10, and operate the Handpiece for about 30 seconds after water starts to come out. Refer to "14 Troubleshooting" if water does not start to come out after more than 20 seconds, even if you set the Irrigation Volume to 10.

7 Using the Ultrasonic Mode

7-1 Water System Setup

Using the Bottle

- 1) Remove the Dust Cover from the Irrigation Bottle Base Connector (Fig. 12).
- 2) Remove the Irrigation Bottle Cap and fill the Bottle water or disinfectant solution to the desired level.
- 3) Close the Irrigation Bottle Cap securely and insert the Bottle Joint straight into the Irrigation Bottle Base Connector (Fig. 13). Pull the Irrigation Bottle straight up to remove it.

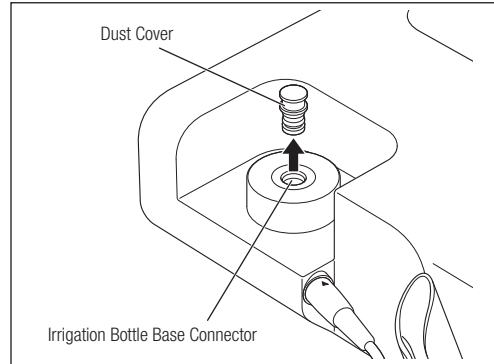


Fig. 12

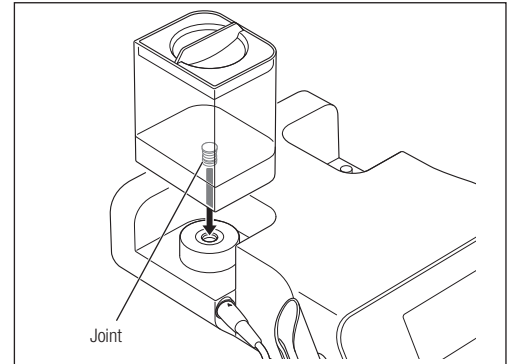


Fig. 13

CAUTION

- Only use the dedicated Varios Combi Pro series bottle.
- Insert the Irrigation Bottle straight. Failure to do so may damage the O-ring.
- Clean the Irrigation Bottle and the Irrigation Bottle Cap with clean water after use and before storage.
- Attach the Dust Cover to the Irrigation Bottle Base Connector when the Irrigation Bottle is not mounted.
- Ensure the liquid temperature is below 35°C.
- Do not put strong acids (such as highly acidic water, superacid water, or electrolysis water) or hypochlorous acid water in the Irrigation Bottle as they may cause water clogging or metal corrosion.

Using Tap Water

- 1) Make sure that the Water Tube is firmly connected to the Water Tube Connector of the Control Unit. Refer to “5-7 Connecting the Water Tube” for details.
- 2) Open the water valve of the dental unit and set the water pressure between 0.1 - 0.3MPa (1.0 - 3.0kgf/cm²). If the water pressure exceeds 0.3MPa, use a Water Pressure Reducing Valve (option) to adjust the water pressure to within the specified range. Refer to “20 Option Parts List” for details about the water pressure reducing valve.

7-2 Mounting the Tip

- 1) Check that the screw parts of the Handpiece and Tip are clean (Fig. 14).
- 2) Push the Tip into the distal end of the Handpiece and screw the Tip until it is lightly tightened (Fig. 15).

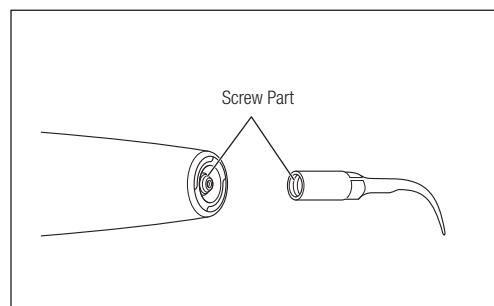


Fig. 14

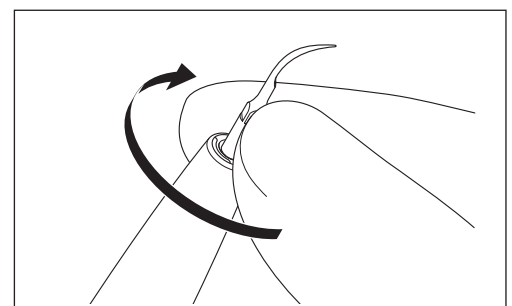


Fig. 15

- 3) Match the square shape of the Tip with the hole of the Tip Wrench, then insert the Tip into the hole. Rotate the Wrench until it makes a click sound and cannot rotate any further. During this procedure, hold the Handpiece so that the Handpiece Cord does not become twisted. When removing the Tip, rotate the Wrench in the direction of the “Loosen” arrow (Fig. 16).

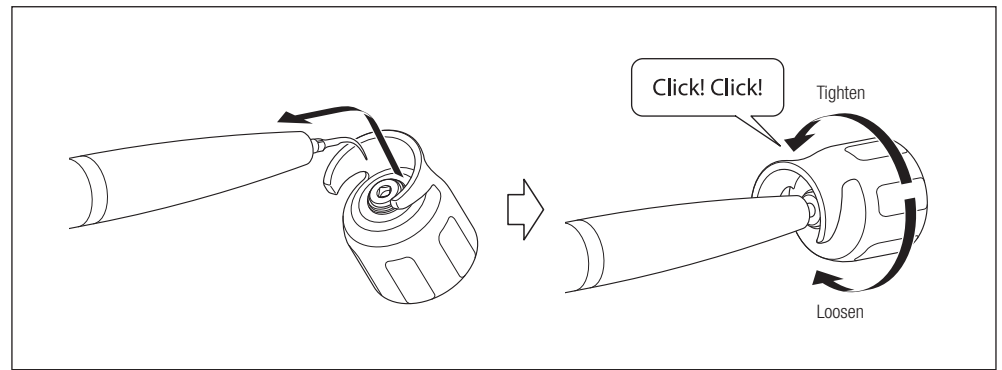


Fig. 16

WARNING

- Do not allow contact with gingival, mucosa and/or skin. Doing so may result in injury or burns.
- USE ONLY NSK genuine tips when using this product. Problems including Handpiece damage, failure and accidents resulting from the use of non-NSK tips are not covered in the warranty. The following types of issues may occur when using Non-NSK Tips:
 - Inappropriate vibration caused by incompatible screws.
 - Accidental ingestion of broken tips by the patient.
 - Damage or premature wear of the Handpiece screw

CAUTION

- Be careful not to twist the Handpiece Cord when tightening the Tip.
- Be careful when attaching or removing a Tip that is longer than the Tip Wrench, as there is a risk of injury from the point of the Tip.
- Do not use a Tip which has been damaged, bent or corroded as it may break during use.
- To avoid damaging the Tip thread or disengagement of the Tip, always make sure that the Tip is inserted at the correct angle and firmly tightened.
- If debris is found on the Tip thread, clean the Tip immediately. Failure to do so may result in noise or insufficient vibration.
- Do not attempt to sharpen or bend the Tip as doing so may result in the Tip breaking during use, noise or insufficient vibration.
- The Tip is a wear item. Worn Tips have an increased risk of noise, breakage or insufficient vibration. Replace the Tip if noise or insufficient vibration occurs.
- Use the supplied Tip Wrench to mount the Tip. Rotate the Wrench until it makes a click sound and cannot rotate any further. If the Tip is not tightened sufficiently, insufficient vibration or noise may occur.
- When mounting a Tip, always wear sterile surgical gloves and use a sterilized Tip, Handpiece and Tip Wrench.
- Ensure that the power setting does not exceed the recommended Power Level. Failure to do so may result in noise, tip breakage or injury to the patient.
- Do not use Tips that are not designed for removing metal or prosthetic crowns for this purpose. Doing so may result in the tip breaking and falling into the patient's mouth.
- Remove the Tip before attaching or removing the Handpiece or the Handpiece Cord to avoid to avoid injury with the Tip.
- If insufficient vibration is observed during operation, remove the Handpiece from the patient's mouth, and depress the Foot Control again. If this does not improve the condition, the Tip may have loosened during use. Check that the Tip is securely mounted.
- If the Tip becomes loose, makes noise, or does not vibrate sufficiently even though it has been tightened until it makes a click sound, the Tip Wrench may be worn out. The Tip Wrench is a wear item and should be replaced once a year.

■ Using the Tip Card

CAUTION • Tips are wear items. Use the supplied Tip Card to check the Tip condition and replace the Tip if necessary.

Place the neck of the Tip in the cut out of the Tip Card. Measure the length of the Tip and check the replacement timing (Fig. 17). To guarantee safe and effective use, it is recommended that Tips be replaced with the Tip meets the yellow line (1mm of wear).

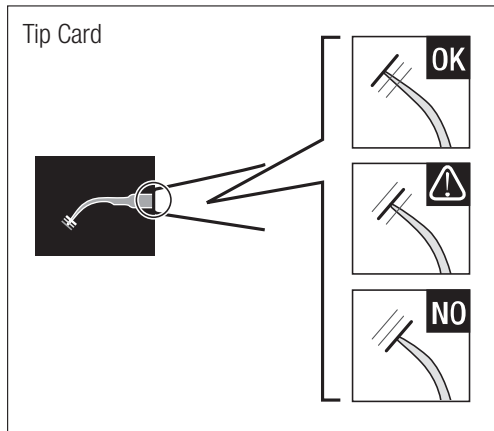


Fig. 17

CAUTION • Tips are consumables. The efficiency of dental scaling decreases approximately 25% when the top of the Tip wears 1mm and approximately 50% when it wears 2mm. In addition, the vibration condition changes owing to the wear, which may damage a patient's tooth surface. Periodically check the Tip wear condition using the Tip Card, and replace the Tip with a new one in good time.

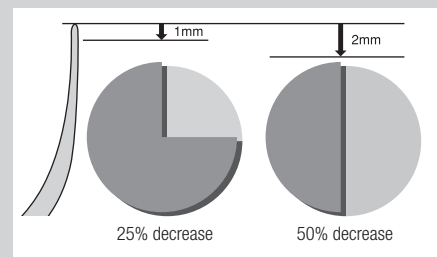


Fig. 18

7-3 Power Level Setting

- 1) Touch the Ultrasonic Mode Select Key to select the Mode. The selected Mode is displayed on the LCD Panel as P/E/G (Fig. 19).
- 2) Touch the Power Level Key (▲/▼) to set the Power Level. The Power Level Display and the Power Level Indicator increase or decrease in accordance with the selected level (Fig. 20).

CAUTION • Ensure the power setting does not exceed the recommended Power Level. (Refer to the supplied "Tip-Power Guide" or "Tip Guide" for the maximum power of each Tip.)

NOTICE • Touch and hold the Power Level Key to increase or decrease the Power Level continuously. An alarm is heard when the maximum or minimum level is reached.

• To irrigate without vibrating the Tip, set the Power Level to "0 (zero)" and the Irrigation Volume to 1 bar or more.

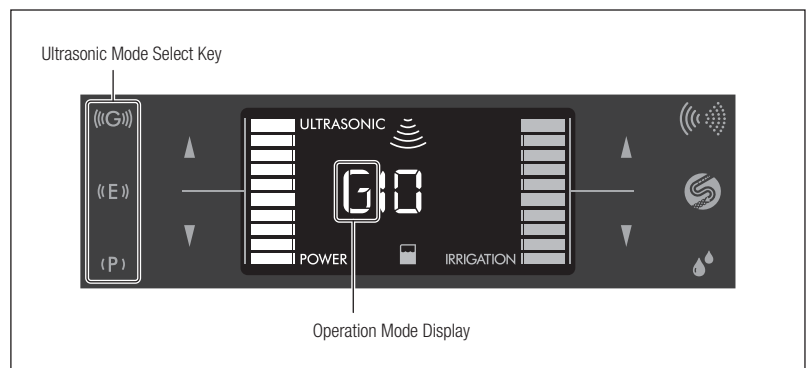


Fig. 19

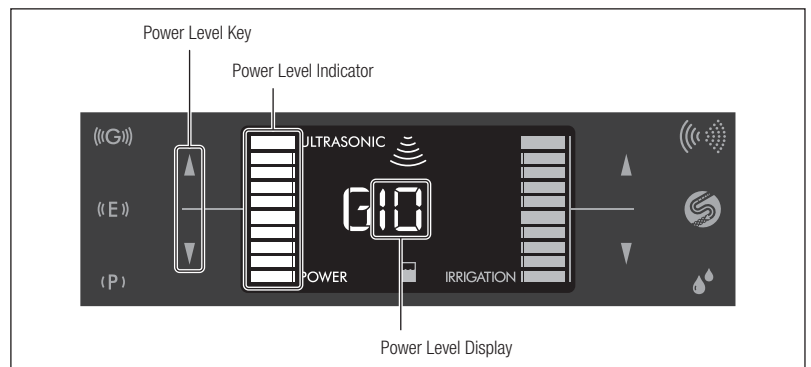


Fig. 20

7-4 Irrigation setting

Touch the Irrigation Mode Select Key to select the Irrigation Mode (Bottle or tap water). The selected Mode is displayed on the LCD Panel as an icon (Fig. 21).

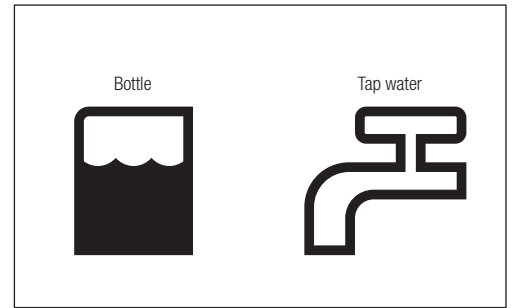


Fig. 21

7-5 Operation

- 1) Depress the desired button on the Foot Control. A “beep” sound is heard, the Tip starts vibrating and the LED on the Handpiece lights up.
- 2) Adjust the Irrigation Volume by touching the Irrigation Volume Keys (▲/▼) while checking the irrigation from the Tip.

CAUTION

- As a safety feature, this product does not operate when the power switch is turned on while the Foot Control is depressed. In this case, an alarm sound is heard and the Ultrasonic Mode Display (P/E/G) and “ULTRASONIC” blinks alternately. Release the Foot Control and depress it again.
- Always use irrigation. If there is insufficient irrigation the Handpiece will overheat and may injure the surface of the patient's tooth.
- Check that clean water is spraying adequately before use.
- Water may not spray smoothly if the Irrigation Volume is set to a low level. In this case, temporarily increase the Irrigation Volume temporarily and depress the Foot Control. Check that water is spraying smoothly from the Tip and adjust the Irrigation Volume again.
- Do not forcibly rotate the Handpiece Holder as doing so may damage the Holder.

NOTICE

- The LED of the Handpiece stays lit for about 5 seconds after the Foot Control is released (Afterglow function).
- Ultrasonic Mode (P/E/G), Power Level, Irrigation Mode settings and Irrigation Volume are stored after the power is turned off and the same settings are applied when the power is turned on next time (Last Memory function).
- If the Irrigation Volume is too low with the Irrigation Volume set to 10 or the Irrigation Volume is too high with the Irrigation Volume set to 1 while the Irrigation Mode is set to tap water, adjust the basic Irrigation Level. Refer to “11-3 Basic Water Level Setting” for details.
- A buzzing sound may be emitted, but this does not indicate a malfunction.

■ During the Handpiece operation :

You can: Adjust the Power Level and Irrigation Volume

You cannot: Change the Ultrasonic Mode or Irrigation Mode settings and perform Auto-Cleaning

7-6 After treatment

Perform maintenance after use on each patient. Refer to “9 Maintenance” for details.

CAUTION

- This product may malfunction if correct maintenance is not performed.

7-7 Protection Circuit

This product may overheat internally if the control unit is used at power 8 or higher in G mode for an extended amount of time. In this case, the Protection Circuit reduces the Power automatically (Power 7). Bar Graph Indicator flashes from 8 to 10 (Fig. 22). The indicator stops flashing when the protection circuit is released. However, in this case the Power Level does not increase automatically. Increase the Power Level manually if required.

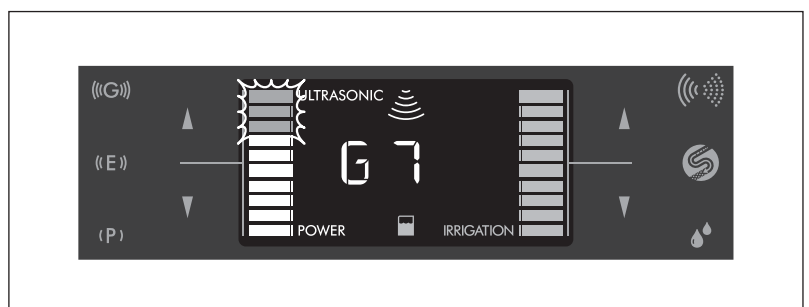


Fig. 22

NOTICE

- The Power Level cannot be increased to 8 or higher when the protection circuit has operated (while the bar graph indicator is flashing).
- The Bar Graph Indicator stops flashing when the Power Level is reduced below 7. It starts flashing again if the Power Level is increased to 7 while the Protection Circuit function is active.

8 Using the Powder Mode

The optional Perio Kit must be purchased in order to use the Perio Mode. Refer to “20 Option Parts List” for details about the Perio Kit.

8-1 Water System Setup

- 1) Make sure that the Water Tube is firmly connected to the Water Tube Connector of the Control Unit. Refer to “5-7 Connecting the Water Tube” for details.
- 2) Open the water valve of the dental unit and set the water pressure between 0.1 - 0.3MPa (1.0 - 3.0kgf/cm²). If the water pressure exceeds 0.3MPa, use a Water Pressure Reducing Valve (option) to adjust the water pressure to within the specified range. Refer to “20 Option Parts List” for details about the water pressure reducing valve.



- Only use drinkable water for irrigation.

CAUTION

8-2 Powder Preparation

- 1) Select the Chamber and powder to be used with this Mode. Fill the Chamber with powder up to the “MAX” line (approximately 80g of FLASH pearl or approximately 50g of Perio-Mate powder) (Fig. 23).

Mode	Chamber	Powder
Prophy Mode	For Prophy use	FLASH pearl
Perio Mode	For Perio use	Perio-Mate powder

- 2) Close the Chamber Cap securely until it fits the Chamber completely and insert the Chamber straight to the Control Unit (Fig. 24). The type of inserted Chamber is displayed on the LCD Panel as one of the following icons (Fig. 25).

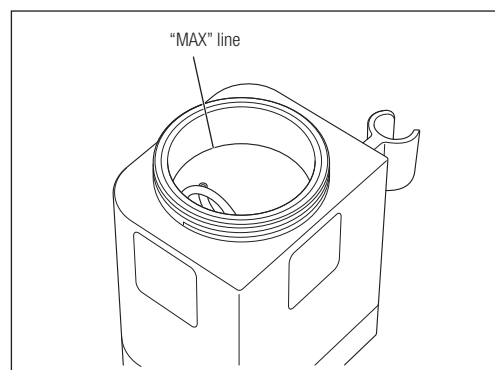


Fig. 23

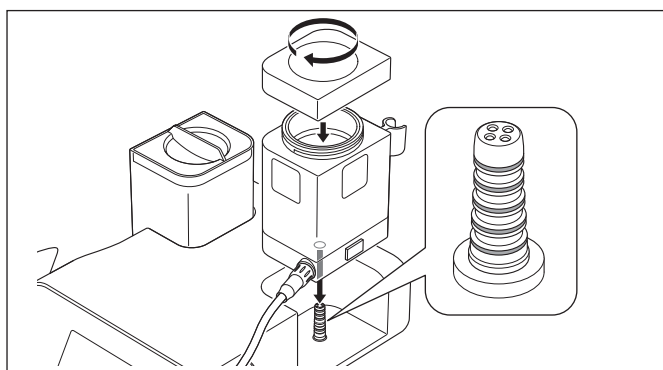


Fig. 24

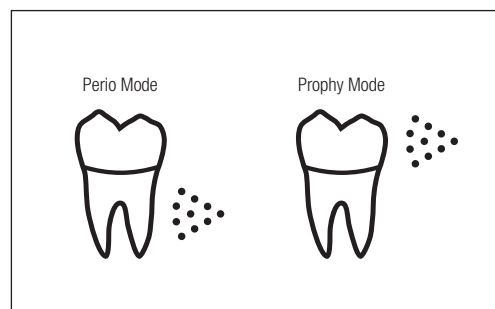


Fig. 25



WARNING

- Use the designated powder only. Using other powders may lead to product failure, damage to the tooth or may cause emphysema. In addition, it may also cause performance reduction of the product. We cannot accept any liability for failures caused by using other powders.



CAUTION

- Securely attach the Chamber Cap to prevent the chamber cap from being blown off, which may lead to an injury (Fig.26).
- Before inserting the Chamber into Control Unit, make sure the O-Rings of the Chamber Base Connector are not damaged or torn (Fig.24). Damaged or torn O-Rings could lead to poor operation or malfunction.
- Insert the Chamber into the Control Unit straight. Inserting at an angle could damage the O-Rings, leading to malfunction.
- If too much cleaning powder is put into the Chamber, the correct amount of powder may not be sprayed immediately after starting use.
- Do not use powder that has been stored in an open package or leftover powder. Using such powder may cause clogging of the Nozzle. Do not mix leftover powder with new powder.
- Before inserting the Chamber, check the Chamber Base Connector for water, etc., and wipe it clean if it is wet. Failing to do so may cause powder clogging.
- Do not use discolored powder.
- Always securely close the powder container lid. Failure to do so will attract moisture which may cause clogging.
- If powder adheres to the Chamber and/or the Chamber Cap, clean it immediately or the Cap will become difficult to close.
- Do not invert the Chamber while it contains powder inside. Inverting the Chamber could lead to powder clogging.



Fig. 26

CAUTION

- As a safety feature, this product does not operate if the Foot Control is depressed when the Chamber is mounted incorrectly. An alarm sounds heard and the tooth icon and “POWDER” flash alternately. Mount the Chamber correctly.
- The Perio-Mate Powder (option) scatters easily because it is made of very fine particles. Fill the Chamber slowly to prevent the powder from scattering, and be careful not to swallow the powder or allow it to get into eyes.
- FLASH pearl is almost insoluble in water. To avoid clogging of the pipes by using FLASH pearl, periodical cleaning and maintenance of the vacuum hose, saliva ejector and separator are necessary.



PERIO

8-3 Attaching/removing the Nozzle Tip**8-3-1 Attaching the Nozzle Tip**

Attach the Nozzle Tip (option) securely and firmly to the Nozzle of the Powder Handpiece (for Perio use) (Fig. 27).

WARNING

- Do not use a deformed or damaged Nozzle Tip. It may detach during use.

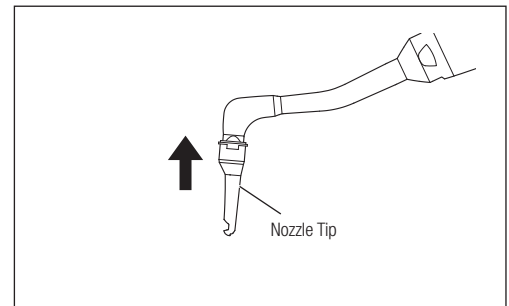


Fig. 27

CAUTION

- Be sure to attach the Nozzle Tip securely and firmly as illustrated (Fig. 28). If the Tip is attached incorrectly, it will fall off and may be accidentally ingested by the patient.
- When attaching a Nozzle Tip to the Powder Handpiece, always wear sterile surgical gloves and make sure that the Powder Handpiece is sterilized.

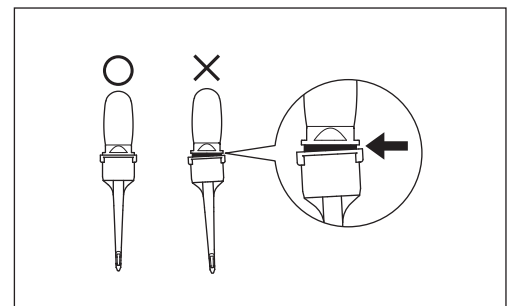


Fig. 28

8-3-2 Removing the Nozzle Tip

Use the Perio-Mate Nozzle Tip Remover (option) to remove the Nozzle Tip (Fig. 29) and dispose of the Nozzle Tip when removed.

WARNING

- The Nozzle Tip can only be used once. Do not reuse or sterilize the Nozzle Tip as it may be damaged or contaminated. If the Nozzle Tip is reused, it may not operate correctly due to deformation during removal, or it may detach during use resulting in accidental ingestion by the patient. The same applies to a Tip that has been accidentally removed.

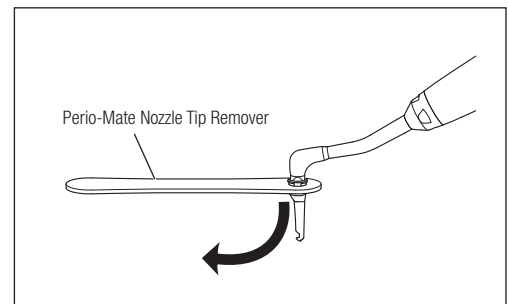


Fig. 29

8-4 Power Level Setting

Touch the Power Level Keys (▲/▼) to set the Power Level. The Power Level Display and the Power Level Indicator increase or decrease in accordance with the selected Power Level (Fig. 30).

NOTICE

- If you specify this setting without attaching the Chamber, the Power Level when using the Prophy mode is set.

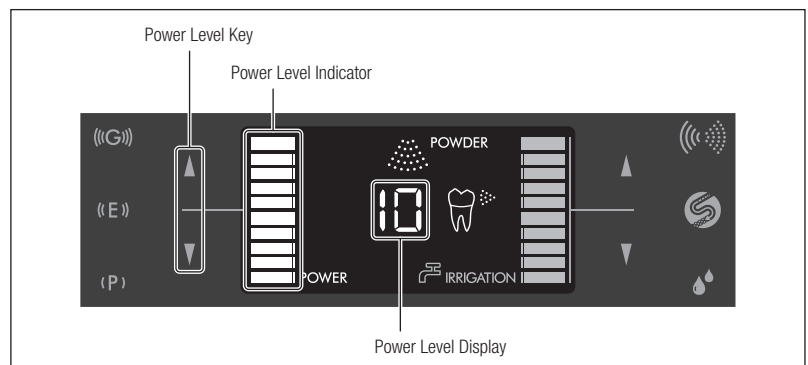


Fig. 30

8-5 Irrigation setting

- 1) Touch the Irrigation Volume Keys (▲/▼) to adjust the Irrigation Volume.
- 2) Depress the Foot Control to spray powder into a spittoon, etc., to confirm that powder, air and water are appropriately sprayed.
- 3) Adjust the Irrigation Volume while checking the irrigation from the Nozzle.

NOTICE

- If the Irrigation Volume is too low with the Irrigation Volume set to 10 or the Irrigation Volume is too high with the Irrigation Volume set to 1, adjust the basic Irrigation Level. Refer to “11-3 Basic Water Level Setting” for details.
- If you perform adjustment without attaching the Chamber, the Irrigation Volume when using the Prophy mode is set.

8-6 Operation

Powder, water, and air are supplied when the Foot Control button D is depressed. Water and air are supplied when the Foot Control button B is depressed. Observe the operating instructions explained in "8-6-1 Using Prophy Mode" and "8-6-2 Using Perio Mode."

WARNING

- Never spray powder toward a human body including the operator and the assistant other than to the tooth surface.
- Stop use immediately if the hose swells or air or powder leaks from connections between the Chamber and Hose during use.
- Spray water while using this product.
- Be sure to use a vacuum tube (and a saliva discharge tube together if necessary) to prevent the patient from ingesting a large amount of powder. Avoid continuous use over long periods and allow the patient to rinse out the mouth whenever necessary.

CAUTION

- As a safety feature, this product will not switch on when the Power Switch is turned to ON while the Foot Control is depressed. An alarm sound is heard and the tooth icon and "POWDER" flash alternately. Release the Foot Control then depress it again.
- Before treatment, adjust the Power Level and the Irrigation Level before using on the patient.
- Reduce the Power Level when treating around marginal gingiva.
- Do not spray vertically onto the tooth surface.
- Maintain the distance between the tip of the Nozzle of the Handpiece to the tooth surface as explained in "8-6-1 Using Prophy Mode" and "8-6-2 Using Perio Mode."
- Do not rotate the Handpiece Holder forcibly as it may damage the Holder.

NOTICE • A buzzing sound may be emitted, but this does not indicate a malfunction.



8-6-1 Using Prophy Mode

Keep the Nozzle at a distance of 3 - 5mm from the tooth surface and at an angle of 10 - 60 degrees (Fig. 31).

WARNING

- Never point toward soft tissue, gum, or the subgingival area.

CAUTION

- Spray from the root to the incisal edge of the tooth.

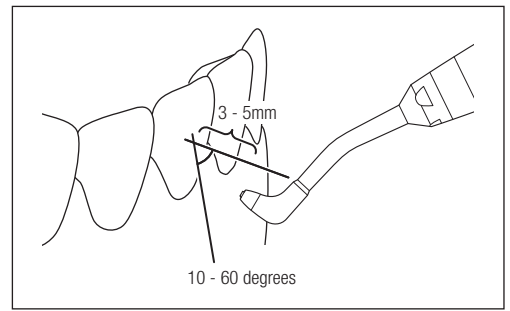


Fig. 31



8-6-2 Using Perio Mode

■ Using with the Nozzle Tip

Insert the Nozzle Tip deeper than 3mm into the periodontal pocket (Fig. 32). Powder may not be sprayed efficiently into the periodontal pocket if the depth is less than 3mm.

■ Using without the Nozzle Tip

Remove the Nozzle Tip from the Nozzle of the Handpiece to remove plaque at the supragingival area and gingival margin, or to remove biofilm and light stains. Keep the Nozzle at a distance of 5 - 10mm from the tooth surface and at an angle of 30 - 60 degrees (Fig. 33). Never point the Nozzle directly toward the oral mucous membrane or in periodontal pockets.

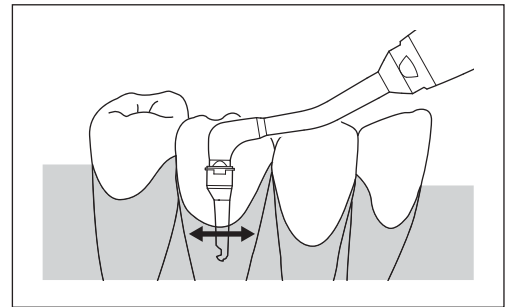


Fig. 32

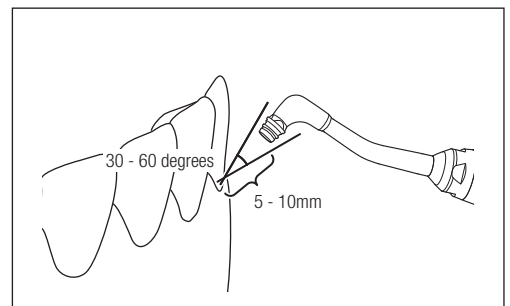




Fig. 33

- WARNING** 
- When using without the Nozzle Tip, never point toward the oral mucous membrane.
 - Do not use this product in an area immediately after scaling the tooth surface in a periodontal pocket. Doing so may cause bacteremia.
 - Do not insert the Nozzle Tip more than once into the same periodontal pocket during the same treatment.
 - Powder may be sprayed for a maximum of 5 seconds in the same periodontal pocket (maximum 20 seconds for one tooth). Never spray powder for longer than the specified time.
 - Do not force the Nozzle Tip into a periodontal pocket.
 - Do not spray powder while the Nozzle Tip end is located at the bottom of a periodontal pocket. Doing so may cause emphysema.
 - Do not use the Nozzle Tip in any places other than periodontal pockets.
 - Setting the Power Level too high may cause emphysema. Adjust the Power Level to an adequate level while checking the patient's condition.

- CAUTION** 
- The alarm sound is heard every 5 seconds when using Perio Mode.
 - In Perio Mode, the Power Level is automatically reduced to a weaker level compared to the same setting for Prophy Mode.

8-6-3 During Handpiece operation

You can: Adjust the Power Level and Water Volume

You cannot: Change Irrigation Mode settings and perform Auto-Cleaning

8-6-4 Releasing residual pressure

The Chamber Cap cannot be opened after operation due to buildup of air pressure inside the Chamber increasing during operation.

Release the pressure remaining in the Chamber before putting powder in the Chamber or removing the Chamber from the Control Unit.

- CAUTION** 
- The remaining powder and water comes out of the Handpiece while releasing the residual pressure. Prepare a container such as a cup to catch the powder and water.

- 1) Take the Powder Handpiece out of the Handpiece Holder.
- 2) Place the Handpiece into the container to catch powder and water.
- 3) Touch and hold the Auto-Cleaning Key for about 1 second. Beeps are heard and the residual pressure starts to be released.
- 4) The operation stops when all the residual pressure is released from the Chamber.

8-7 After treatment

Perform maintenance after use on each patient. Refer to "9 Maintenance" for details.

If the Nozzle Tip (option) is attached to the Nozzle, remove and dispose of it before maintenance.

- CAUTION** 
- Failure to perform maintenance may result in malfunction.

- NOTICE** • The Power Level and Irrigation Mode settings are stored after the power is turned off (Last Memory function).

9 Maintenance


Perform the following maintenance after use on each patient.

 • Failure to perform maintenance may result in malfunction.
CAUTION

ULTRASONIC

9-1 Ultrasonic Handpiece

9-1-1 Auto Cleaning

 • Water comes out of the Handpiece during Auto-Cleaning. Perform cleaning after placing the Handpiece into a cup.
CAUTION

- 1) Take the Ultrasonic Handpiece out of the Handpiece Holder and remove the Tip from the Handpiece.
- 2) Remove the Irrigation Bottle and wash inside with running water. When tap water is selected for the Irrigation Mode, open the water valve of the irrigation source.
- 3) Fill more than half of the Irrigation Bottle with distilled water or purified water. (Do not use saline).
- 4) Close the Cap securely.
- 5) Insert the Bottle straight into the Irrigation Bottle Base Connector. Water may leak if the Bottle is not inserted firmly.
- 6) Place the tip of the Handpiece into the container to catch water.
- 7) Touch and hold the Auto-Cleaning Key for about 3 seconds to start Auto-Cleaning. Auto-Cleaning takes about 45 seconds. "AC" is displayed on the LCD Panel during Auto-Cleaning and the approximate remaining time is displayed in the Bar Graph Indicator (Fig. 34).
- 8) When Auto-Cleaning is finished, the Control Unit returns to the settings prior to cleaning.
- 9) Remove the Irrigation Bottle. Wash the Irrigation Bottle and Cap with running water and allow them to dry.

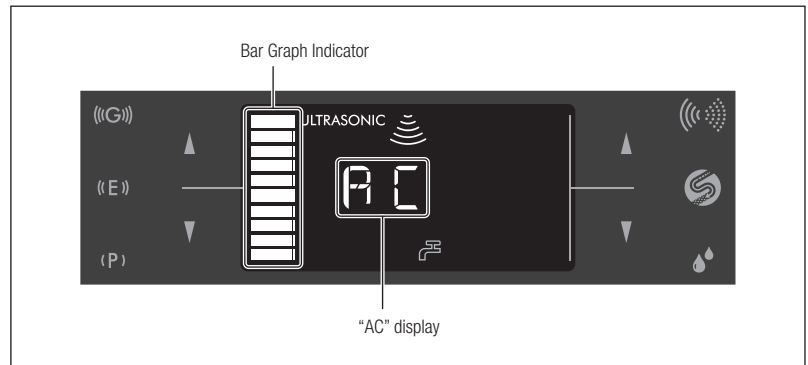



Fig. 34

To stop Auto-Cleaning, touch the Auto-Cleaning Key again.

 • After each use, perform Auto-Cleaning (cleaning of Irrigation Tube). If the system is not cleaned, the inside of the Irrigation Tube may become clogged or some metal parts may rust.
CAUTION

- Use distilled water or purified water to fill the Irrigation Bottle. Using impure water may cause clogging of the Irrigation Tube.
- Make sure the Handpiece and Handpiece Cord are firmly attached.


NOTICE • During Auto-Cleaning, the Handpiece LED does not light.

9-1-2 Cleaning the Handpiece

- 1) Remove any debris from the product. Do NOT use a wire brush.
- 2) Wipe clean with a cloth soaked in ethanol, or ethanol with isopropyl alcohol.

 This icon denotes that the product can be washed using a Thermo Disinfector.

Operation only confirmed with the GETINGE WD46-4 model.
Refer to the Thermo-Disinfector manual.

 • Be careful not to hit the tip of the Handpiece against anything while washing it as it may damage the Glass Rod.
CAUTION

- After cleaning with the Thermo Disinfector, dry the Handpiece thoroughly and remove water from the inside.
- Never use solvents such as benzine and thinner for cleaning.
- When cleaning, use ethanol, or ethanol with isopropyl alcohol to wipe the surface of the handpiece. Use of chemicals other than those may cause the handpiece to discolor, crack, etc.

9-1-3 Cleaning (Optic)

Wipe clean the Glass Rod tip with an alcohol-immersed cotton swab. Remove all debris (Fig. 35).



- Do NOT use a sharp tool to clean the Glass Rod. Doing so may damage the glass and reduce light transmission.

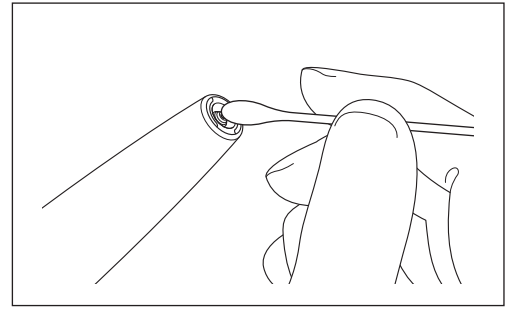


Fig. 35

9-1-4 Cleaning the Handpiece cord

Remove the handpiece after use on each patient and clean it as described below.

- Wipe the surface of the handpiece cord with a cloth soaked in alcohol.
- Carefully wipe the handpiece cord plug with an alcohol-immersed cotton swab. If it is difficult to use a cotton swab, carefully wipe with a towelette wound around a thin stick-shaped object.



- Do not use a sharp pointed stick or push the terminal part when cleaning the handpiece cord plug. Doing so may cause damage, resulting in contact failure (Fig. 36).

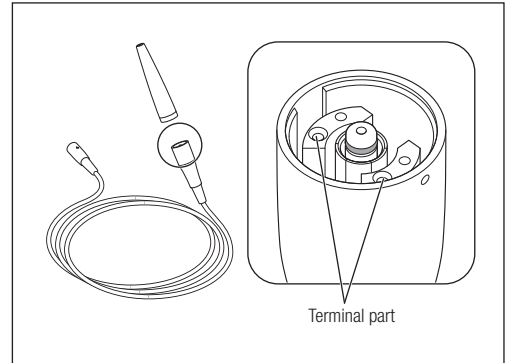


Fig. 36



9-2 Powder Handpiece

9-2-1 Auto-Cleaning



- Water comes out of the Handpiece during Auto-Cleaning. Perform cleaning after placing the Handpiece into a cup.

- Take the Powder Handpiece out of the Handpiece Holder. For the Powder Handpiece (for Perio use), remove the Nozzle Tip from the Handpiece.
- Place the tip of the Handpiece into the container to catch water.
- Touch and hold the Auto-Cleaning Key for about 3 seconds to start Auto-Cleaning.
- Water and air are sprayed first to wash off the remaining powder.
- After a while, only air is sprayed to release the remaining water.
- Auto-Cleaning takes about 45 seconds. "AC" is displayed on the LCD Panel during Auto-Cleaning and the approximate remaining time is displayed by the Bar Graph Indicator (Fig. 37).
- When Auto-Cleaning is completed, the Control Unit returns to the settings prior to cleaning.

To stop Auto-Cleaning, touch the Auto-Cleaning Key again.

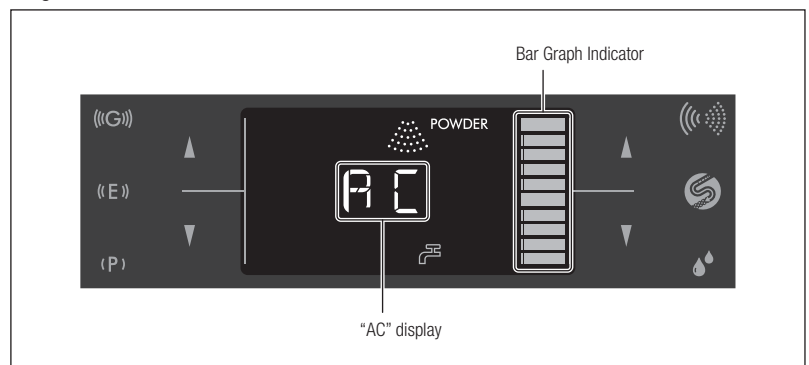


Fig. 37

9-2-2 Cleaning (Handpiece)

- 1) Remove the Handpiece from the Hose.
- 2) Remove debris from the product. Do NOT use a wire brush.
- 3) Use the supplied Cleaning Brush to remove powder from the interior section where the Handpiece was connected (Fig. 38).
- 4) Wipe clean with a cloth soaked in alcohol.

 This icon denotes that the product can be washed using a Thermo Disinfector.

Operation only confirmed with GETINGE WD46-4 model.
Refer to the Thermo-Disinfector manual.

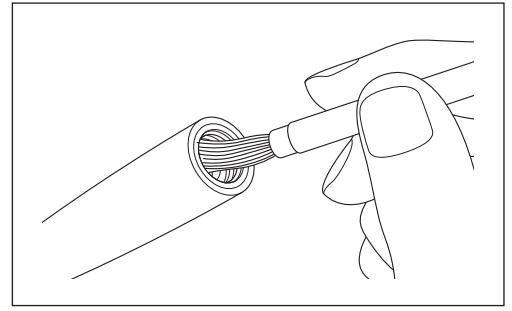




Fig. 38

 • Be sure to clean the inside of the Handpiece after each use. Powder remaining in the Handpiece may solidify, causing clogging.
WARNING

 • After washing with a Thermo-Disinfector, dry the product until all internal moisture is thoroughly removed.
• Never use solvents such as benzine or thinner to clean the product.
CAUTION

9-2-3 Ultrasonic Cleaning

 • Be sure to perform Ultrasonic Cleaning at least once a week to prevent powder clogging. Perform Ultrasonic Cleaning before Auto-Cleaning or after you have tried the remedies described in "14 Troubleshooting."
CAUTION

- 1) Pass through the supplied Ring Wrench from the Nozzle end, loosen the Nozzle, and remove the Nozzle from the Handpiece (Fig. 39).
- 2) Perform Ultrasonic Cleaning with warm water (30 - 50°C) on the Handpiece and Nozzle.
- 3) After cleaning, use air to dry all of the parts.
- 4) Reassemble the Handpiece following the reverse of procedures in step 1.
- 5) Connect the Handpiece and Hose and perform Auto-Cleaning.

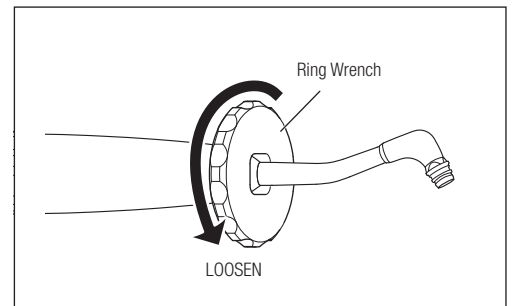



Fig. 39

 • When attaching the Nozzle, lightly screw the Nozzle into the Handpiece by hand at first and then securely tighten it with the supplied Ring Wrench.
• After Ultrasonic Cleaning, perform Auto-Cleaning to remove any remaining water from the inside, and allow the parts to dry sufficiently before use.
• To prevent the Nozzle from being deformed, always use the supplied Ring Wrench when attaching or removing the Nozzle. The nozzle may become deformed if you attach it while holding the end of the nozzle.
• Ultrasonic Handpiece cannot be cleaned by Ultrasonic Cleaning.
CAUTION

9-3 Sterilization

This product must be autoclaved. Autoclave sterilization is required after use on each patient as described below.

Autoclavable items: Ultrasonic Tip, Ultrasonic Handpiece, Powder Handpiece (for Prophy use), Powder Handpiece (for Perio use, option), Tip Wrench, Sterilization Case, Perio-Mate Nozzle Tip Remover (option)

- 1) Insert the items into an autoclave pouch. Seal the pouch.
- 2) Autoclave under the conditions below.
Autoclave for more than 20 min. at 121°C, 15 min. at 132°C or 3 min. at 134°C.
- 3) Keep the items in the autoclave pouch to maintain sterility until it is used.

■ Sterilization Case

The Ultrasonic Handpiece, Ultrasonic Tip and Tip Wrench can be sterilized together using a Sterilization Case. Four Tip Wrenches and Tips can be set at once (Fig. 40).

- 1) Remove the Tip after use. (Refer to "7-2 Mounting the Tip.") Tip is set inside the Tip Wrench.
- 2) Set the Tip Wrench with Tip attached into the Sterilization Case.
- 3) Set the Ultrasonic Handpiece into the Sterilization Case.

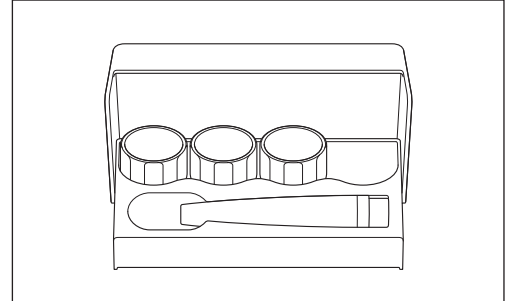


Fig. 40

CAUTION

- Sterilization Case cannot be used for the Powder Handpiece.
- Do not autoclave the product with other instruments even when it is in a pouch. This is to prevent possible discoloration and damage to the product from chemical residue on other instruments.
- Keep the product in suitable atmospheric pressure, temperature, humidity, ventilation, and sunlight. The air should be free from dust, salt and sulphur.
- If the sterilizer chamber temperature may exceed 135°C during the dry cycle then delete the dry cycle.
- Autoclave sterilization is recommended for the product. The validity of other sterilization methods is not confirmed.
- Do not autoclave the Handpiece Cord and the O-Ring. Disinfect the Handpiece Cord with a cloth soaked in alcohol after every patient.
- Do not use high acid water or sterilizing solutions to wipe, immerse or clean the product.

NOTICE

- NSK recommends Class B sterilizers as stated in EN13060.
- Repeated autoclaving may cause the ultrasonic handpiece to become discolored due to heat. However, this is due to properties of the product and is not a problem in terms of quality.

9-4 Cleaning the Chamber and Hose

- 1) Perform Auto-Cleaning before cleaning the Chamber to release residual powder and water from the inside of the Handpiece and Handpiece Hose.
- 2) Release the pressure remaining in the Chamber. (Refer to “8-6-4 Releasing residual pressure”.)
- 3) Push the Lock Button to remove the Chamber. Then pull up the Chamber straight (Fig. 41).
- 4) Open the Chamber Cap and remove the residual powder.
- 5) Loosen the Handpiece Hose Connector nut and remove the Hose from the Chamber.
- 6) Remove the residual powder from the Chamber using air, etc.
- 7) Wipe the Hose to remove powder, etc.
- 8) Use the supplied Cleaning Brush to remove powder from the Connectors on both ends of the Handpiece Hose and the Handpiece Hose Connector Socket of the Chamber.

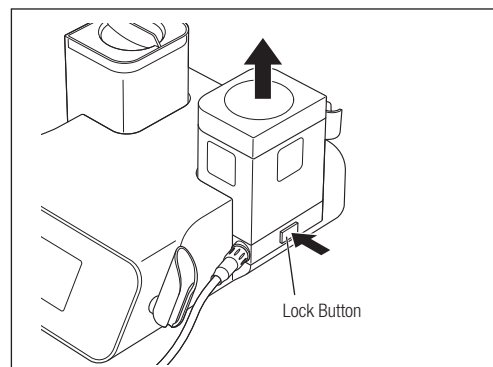


Fig. 41

WARNING

- Medicinal solution, solvents, etc. adhering to the Chamber or the Chamber Cap may cause damage.
- Be sure to clean the Chamber after each use. Powder remaining in the Chamber may solidify and cause clogging.
- Never use the Chamber Cap if it is cracked or scratched. Using in this condition may result in damage or injury from broken pieces.

CAUTION

- If a failure occurs in the Chamber, be sure to contact your Authorized NSK Dealer for repairs.
- After use, always thoroughly remove powder from the inside of the Chamber and clean the Chamber before storage.
- Do not wash the Chamber. Doing so may cause the powder to solidify, resulting in clogging.
- Perform the operation in “8-6-4 Releasing residual pressure” before removing the Chamber. If you do not do so, the Chamber Cap cannot be opened. The Chamber Cap may pop off if you try to force it open.

■ Releasing the Lock Button

If the Chamber cannot be removed because the Lock Button cannot be pressed, perform the following operation to release the Lock Button and remove the Chamber, and then contact your Authorized NSK Dealer.

- 1) Insert the included Unlocking Tool into the hole on the base of the Control Unit and push it in all the way. (Fig. 42)
The Lock Button is released.
- 2) Remove the Unlocking Tool.
- 3) Press the Lock Button to remove the Chamber.
If the Lock Button is still not released, contact your Authorized NSK Dealer.

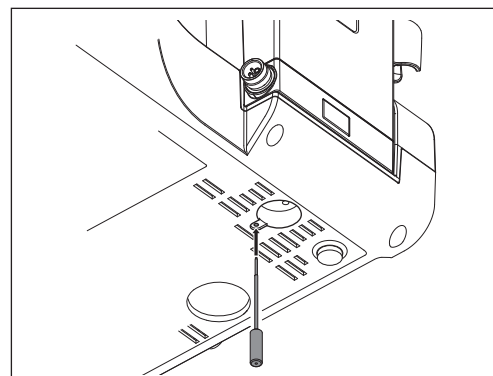


Fig. 42

CAUTION

- Do not turn the Control Unit upside-down when releasing the Lock Button. Failing to do so may cause powder to get clogged.
- Do not twist the Unlocking Tool when inserting it.

9-5 Cleaning the Control Unit and Foot Control

- 1) Turn OFF the power.
- 2) Disconnect the AC power cord from the wall socket.
- 3) Wipe off dirt and powder with a damp cloth and then wipe the surface with a cloth soaked in alcohol.

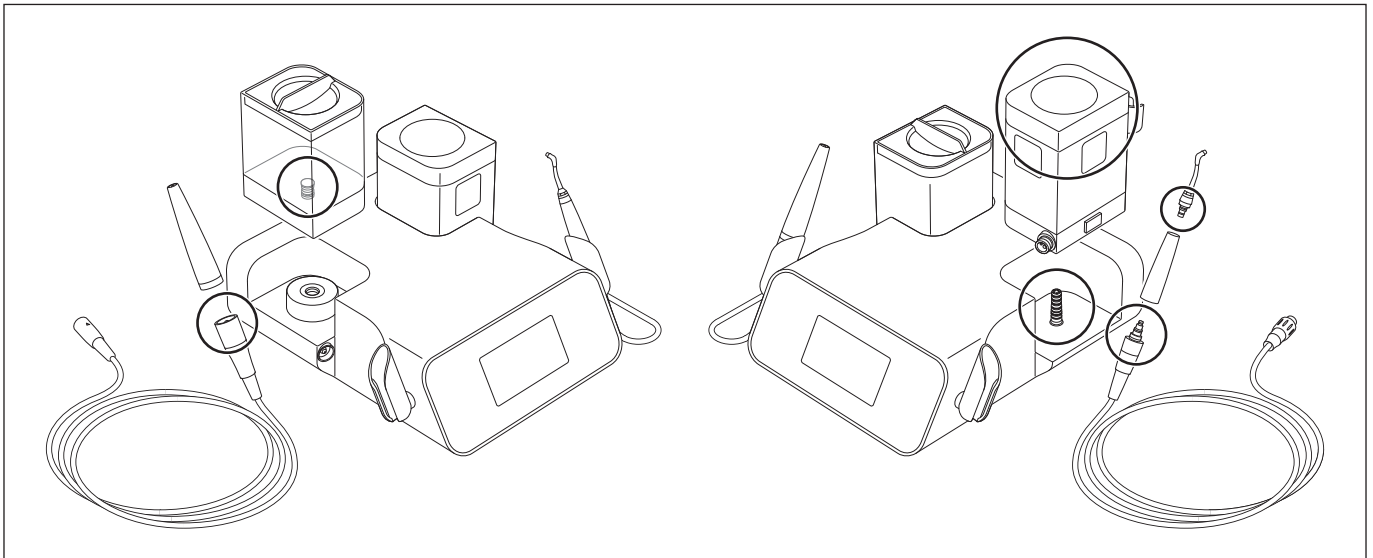
CAUTION

- Never use solvents such as benzine or thinner for cleaning.

10 Care and Maintenance

10-1 Replacing the O-rings

Replace the O-rings when symptoms such as leakage of water or air are observed.



ULTRASONIC

10-1-1 Handpiece Cord

- 1) Remove the Handpiece Cord from the Control Unit.
 - 2) Remove the O-ring to be replaced using a needle, etc (Fig. 43).
 - 3) Place the new O-ring in the groove from where the old O-ring was removed.
- * Refer to "21 Spare Parts List" for details about replacement O-rings.
Order Code: Y1003546

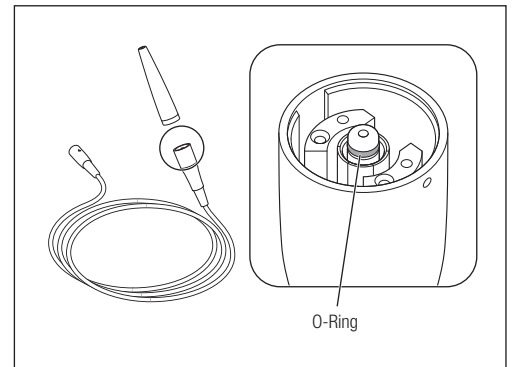


Fig. 43

POWDER PROPHY POWDER PERIO

10-1-2 Handpiece Hose (for Prophy use and Perio use)

- 1) Remove the Hose from the Powder Handpiece and Chamber.
 - 2) Remove the O-rings from the Handpiece Hose Plug using a needle, etc. If there is powder in the O-ring grooves, clean the groove before inserting the new O-ring.
 - 3) Place the new O-rings in the grooves from where the old O-rings were removed.
 - 4) Apply a drop of the supplied turbine oil and rub it in with your finger (Fig. 44).
- * Refer to "21 Spare Parts List" for details about replacement O-rings.
Order Code: Y1003500

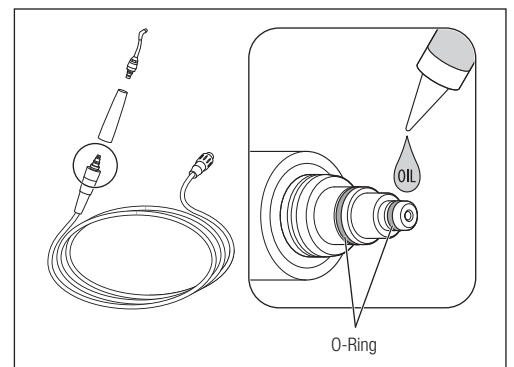


Fig. 44

CAUTION

- Failure to lubricate the O-ring section on the Handpiece side may cause damage to the Joint section, resulting in difficulty in rotating the Handpiece connection. It may also cause water leakage.

10-1-3 Nozzle (for Prophy use and Perio use)

- 1) Pass through the supplied Ring Wrench from the Nozzle end, loosen the Nozzle, and remove the Nozzle from the Handpiece.
 - 2) Remove the O-rings from the root of the Nozzle using a needle, etc. (Fig. 45). If there is powder in the O-ring grooves, clean the groove before inserting the new O-ring.
 - 3) Place the new O-rings in the grooves from where the old O-rings were removed.
- * Refer to "21 Spare Parts List" for details about replacement O-rings.
Order Code: Y1003501

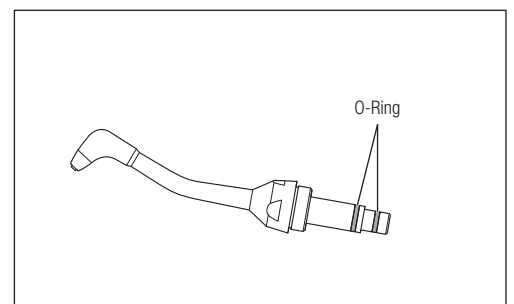


Fig. 45

10-1-4 Irrigation Bottle

- 1) Remove the O-rings from the Irrigation Bottle Joint using a needle, etc.
 - 2) Place the new O-rings in the grooves from where the old O-rings were removed.
- * Refer to "21 Spare Parts List" for details about replacement O-rings.
Order Code: Y1003544



- The O-rings are of different thicknesses. Be sure to place them in the correct groove (Fig. 46).

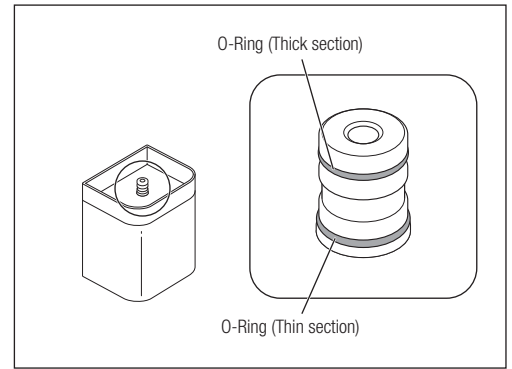


Fig. 46

10-1-5 Chamber Base Connector

- 1) Remove the O-rings from the Chamber Base Connector using a needle, etc. (Fig. 46).
 - 2) Place the new O-rings in the grooves from where the old O-rings were removed.
- * Refer to "21 Spare Parts List" for details about replacement O-rings.
Order Code: Y1003435



- Since the size of the O-Rings differ, make sure to replace them in the correct location (Fig. 47).

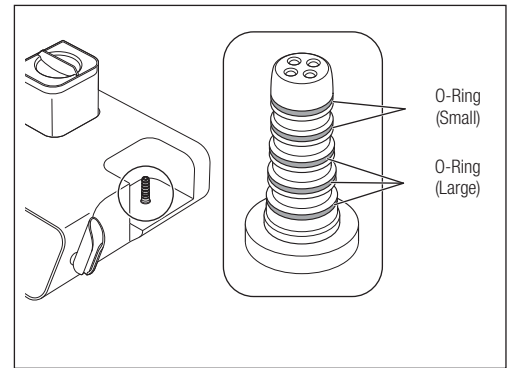


Fig. 47

10-1-6 Chamber Cap

- 1) Remove the Chamber Cap.
 - 2) Remove the O-ring from the inside of the Chamber Cap using a needle, etc. (Fig. 48).
 - 3) Place the new O-ring in the groove from where the old O-ring was removed.
- Order Code: Y1003545

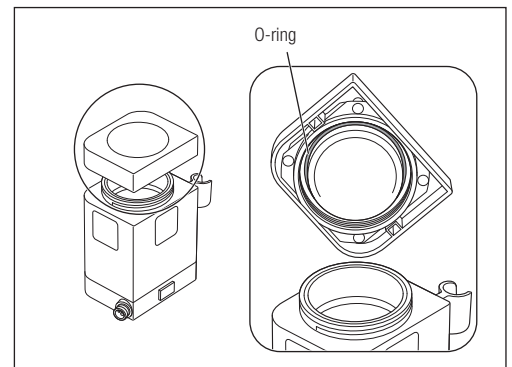


Fig. 48

10-2 Changing the Irrigation Pump

- 1) Remove the Irrigation Bottle, the Chamber, Power Cord, Handpiece Cord and Foot Control from the Control Unit.
- 2) Turn over the Control Unit. Use a cross-head screwdriver to remove the screw on the Irrigation Pump Cover and remove the Cover. (Fig. 49).
- 3) Remove two Irrigation Tubes from the Control Unit (Fig. 50).
- 4) Remove the Connector Ring from the Irrigation Tube. Do not dispose of it. You can use the Ring on the replacement Irrigation Pump (Fig. 51).
- 5) Turn the Irrigation Pump counterclockwise until it clicks, and then pull it out (Fig. 52).
- 6) Mount the Connector Rings in the Irrigation Tubes of the new Irrigation Pump (option). Make sure the Ring is oriented correctly (Fig. 53).
- 7) Align the new Irrigation Pump (option) with the Drive Shaft. Turn clockwise until it clicks (Fig. 54).
- 8) Mount the Irrigation Tube by following the removal procedure in reverse. Press the Connector Ring firmly into the Control Unit until it is fully pressed on (Fig. 50).
- 9) Align the Irrigation Pump Cover Hook and hole on the Control Unit. Mount the Cover.

* For details on the Optional Irrigation Pump, refer to "21 Spare Parts List."

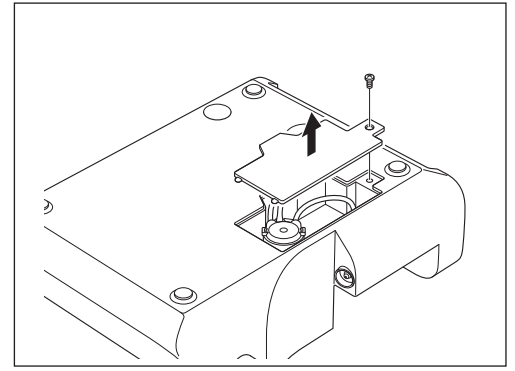


Fig. 49

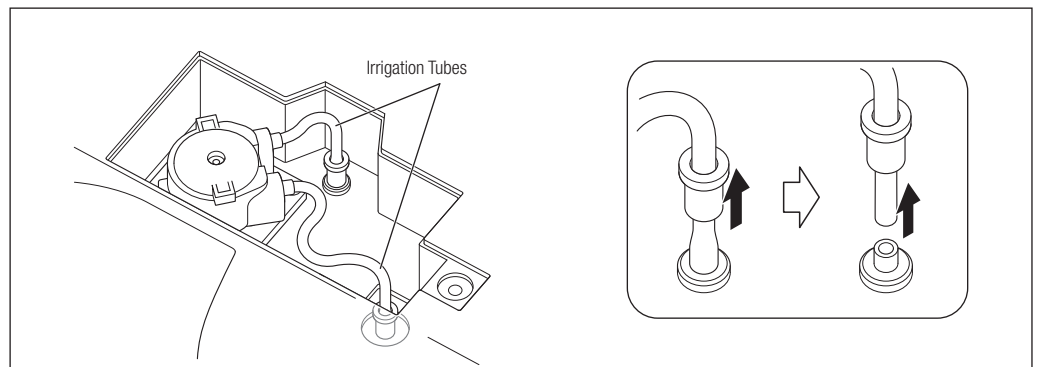


Fig. 50

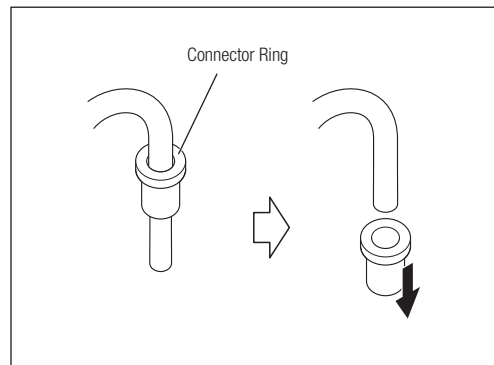


Fig. 51

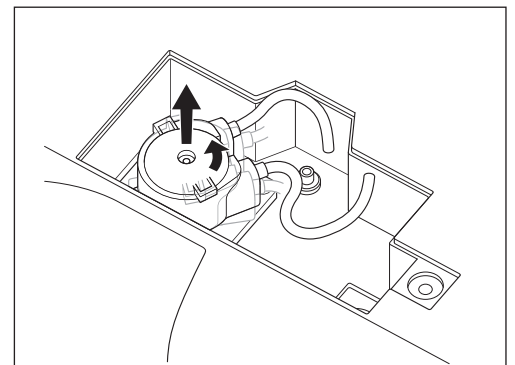


Fig. 52

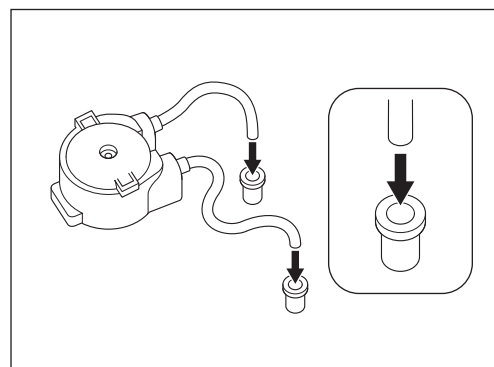


Fig. 53

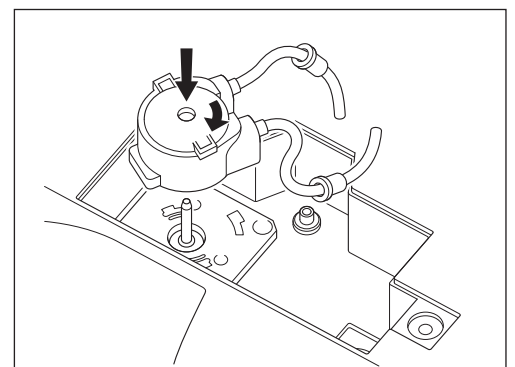


Fig. 54

CAUTION

- Before replacing the Irrigation Pump, wipe off excess water from the pump and Drive Shaft. Wet drive shaft and rollers can be slippery and cause improper operation.
- Wipe dirt and water off the Drive Shaft from the bottom up (Fig. 55).
- Insert the replacement Irrigation Pump straight into the Drive Shaft in a slow and gentle manner to prevent damaging the pump rollers.
- After replacing the Irrigation Pump, run this product for about 10 seconds with Irrigation Mode set to Bottle and Irrigation Volume set to maximum so the Irrigation Tube adapts to the new Pump.
- Ensure there are no kinks or twists in the Irrigation tube. If tube is set incorrectly, Irrigation Water may not be supplied.
- Make sure that the Tube is not caught under the Irrigation Pump Cover when closing the Irrigation Pump Cover.
- Only use the dedicated Irrigation Pump for Varios Combi Pro. Other pumps cannot be used.

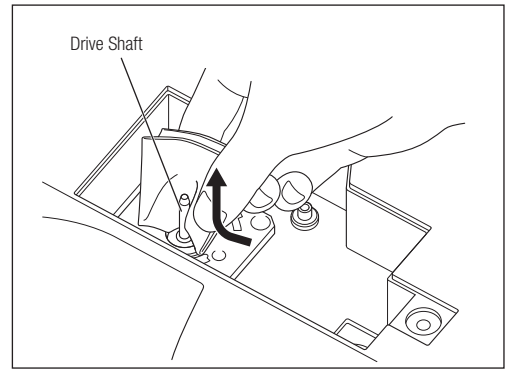


Fig. 55

NOTICE

- Clean the Drive Shaft periodically with a cloth soaked in alcohol. Debris on Drive Shaft may cause incorrect pump operation.
- The pump is a wear item. If the irrigation volume decreases markedly, replace the pump.

10-3 Changing the Water Filter

If you use Tap Water, change the Water Filter once a year.

If you feel that the water volume has dropped, change the Water Filter before a year has elapsed.

- 1) Close the water valve of the dental unit.
- 2) Place the Control Unit on a cloth, etc. in case water leaks.
- 3) Use two spanners (5x8) and turn in the directions shown below in Fig. 56.
- 4) Remove the Water Filter Case and take out the Water Filter.
- 5) Place the new Water Filter with the O-ring on the Varios Combi Pro side and reassemble by following the disassembly steps in reverse (Fig. 57).

* Refer to "21 Spare Parts List" for details about the optional Water Filter.

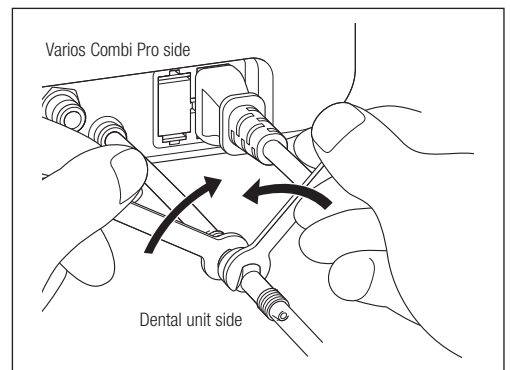


Fig. 56

CAUTION

- Make sure that the Water Filter is placed in the correct orientation. Otherwise the Filter will not work effectively.

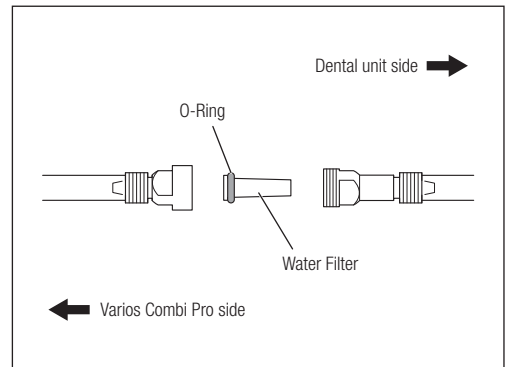


Fig. 57

10-4 Checking the Air Filter

When symptoms such as reduced Power Level or frequent clogging of powder are observed, release water by pressing the tip of the Air Filter at the bottom of the Control Unit (Fig. 58).

If sufficient Power Level cannot be obtained as a result of prolonged use, the VCP Element may have clogged. If this happens, contact your Authorized NSK Dealer.

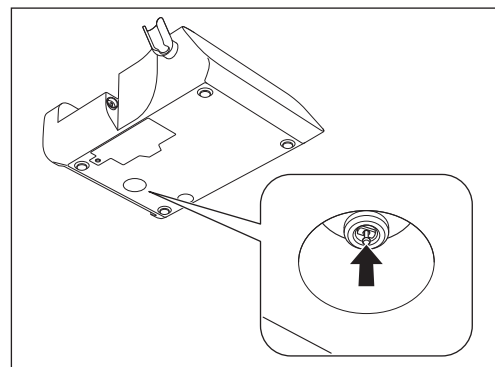


Fig. 58

10-5 Replacing the fuse

- 1) Turn OFF the Power Switch.
- 2) Unplug the AC power cord from the wall outlet.
- 3) Remove the Fuse Holder located at the back of the Control Unit while keeping the nails at both ends pushed inward (Fig. 59).
- 4) Replace the fuse with a new one.
- 5) Push the Fuse Holder back into the place.

* Refer to "21 Spare Parts List" for details about replacement Fuses.

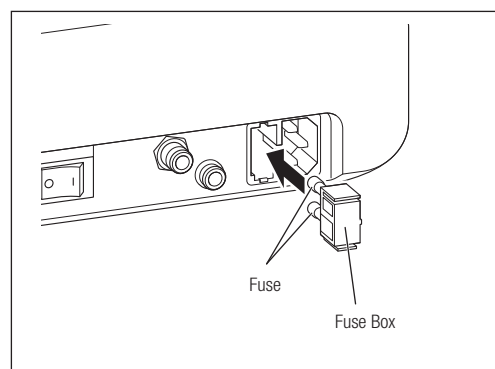


Fig. 59



- Only use NSK recommended fuses. Failure may occur if other fuses are used.
- If a fuse blows but you cannot establish the reason, contact your Authorized NSK Dealer.

NOTICE

- If the Fuse Box does not come out easily, use a hard-tipped implement to push the nails while pulling the Fuse Box out.

11 Other Functions

11-1 Initialized Program (Factory Setting)

The setting value for each of the modes are stored in this product. These values can be initialized to the factory settings.

- 1) Turn the POWER switch ON while depressing the Foot Control button B.
- 2) "Clr" is displayed on the LCD Panel. While "Clr" is displayed, release the Foot Control button B and then depress the button D to start initializing.
- 3) "Fin" is displayed on the LCD Panel when the initialization is complete. An alarm sound is heard and the product starts in the normal mode. (Refer to the table below for the initial settings.)

	Ultrasonic Mode	Powder Mode	
		Prophy Mode	Perio Mode
Ultrasonic Mode selection	Perio	-	
Power Level	1	1	1
Irrigation Mode	Bottle	- (fixed to tap water)	
Irrigation Volume	10	10	10

ULTRASONIC

11-2 Using the Tip Holder (for Ultrasonic Tip, option)

- Use the Tip Holder to store the Tips after removing them from the Handpiece.
- The Tip Holder is autoclavable. Up to 5 Tips can be sterilized at the same time. Rotate the Holder in the direction of the arrow so the Tips are set in the frame for sterilization (Fig. 60).

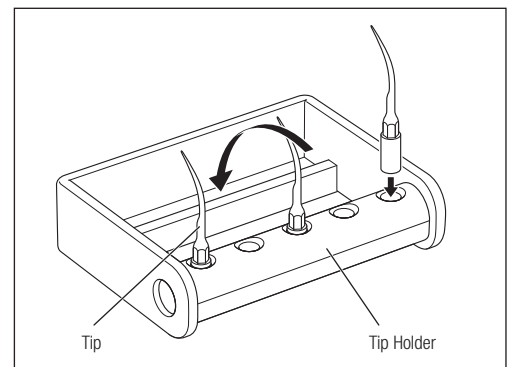


Fig. 60

11-3 Basic Water Level Setting

Basic Water Level can be adjusted depending on the supply water pressure in the usage environment. If the Irrigation Volume is too large or too small even when adjusted by the Irrigation Volume Keys, follow the procedure below to adjust the Basic Water Level.

- 1) Turn the POWER switch of the Control Unit to ON.
- 2) Touch the Operation Mode Select Key to select Powder Mode.
- 3) Touch and hold the Irrigation Mode Select Key for 2 seconds. Alarm sounds are heard and the LCD panel switches to the Basic Water Level adjustment mode.
- 4) Touch the Irrigation Volume Keys (▲/▼) to change the Basic Water Level ("L1" - "L5"). Adjust the Level as necessary.
- 5) Touch and hold the Irrigation Mode Select Key for 2 seconds to save the selected level to memory. An alarm sound is heard and the selected level is saved, and then the LCD Panel switches back to normal mode.



Fig. 61: Basic Water Level adjustment mode [Water Level 4]

Reference

Level	Water volume
L5	Large ↑ Small
L4 (Initial value)	
L3	
L2	
L1	

NOTICE • Basic Water Level returns to "L4" when this product is initialized to the factory defaults. Set the Basic Water Level again after initializing.

12 Periodical Maintenance Checks

Refer to the check sheet below and perform periodical maintenance checks every three months. Contact your Authorized NSK Dealer if any abnormalities are found.

Points to Check	Details
Ultrasonic Handpiece	Operate the Ultrasonic Handpiece to confirm there is no abnormal vibration, noise, heat, etc. Also check that the LED lights and water flows.
Chamber Cap	Check that there are no large/deep scratches.
Powder Spray	After filling the powder chamber, spray powder into a spittoon, etc., and confirm that powder is not leaking from connections other than the Nozzle Tip connection.
Water Spray	After filling the powder chamber, spray powder into a spittoon, etc., and confirm that water is not leaking from connections other than the Nozzle Tip connection.
Chamber	Check that there are no large/deep scratches.
Attaching/removing the Handpiece, Handpiece Hose, Irrigation Bottle and Chamber	Check that they can be attached and removed smoothly. If they are too loose or too tight, the O-rings may be damaged or deteriorated. Replace O-rings. (Refer to "10 Care and Maintenance.")

13 Error Code

"Error" and an Error Code are displayed on the LCD Panel of the Control Unit if this product stops operating due to malfunction, excessive pressure, disconnection, or incorrect operation. Depress the Foot Control button D to perform the error check again. If the problem is not detected, the error status is released and this product become operable. If the Error Code is still displayed, refer to the table below and take the necessary steps to resolve the problem.

Error Code	Description of Error	Check/Remedy
0	System Error	Turn on the Control Unit power again. Contact your Authorized NSK Dealer if the error does not disappear.
1	24V voltage abnormality	
2	12V voltage abnormality	
3	Pump current abnormality	Check the connection of the Irrigation Pump. If the problem still persists, contact your Authorized NSK Dealer.
4	Air pressure abnormality	Check the incoming air pressure. If the problem still persists, contact your Authorized NSK Dealer.
5	Heater voltage abnormality	Turn on the Control Unit power again. Contact your Authorized NSK Dealer if the error does not disappear.
6	Heater current abnormality	
7	Heater temperature abnormality	Check the water circuit and supply water to the Control Unit. Leave the Control Unit until it cools down before using it. Contact dealer if the error does not disappear.
8	Foot Control communication abnormality	Check the connection of the Foot Control. If the problem still persists, contact your Authorized NSK Dealer.
9	Ultrasonic Handpiece abnormality	Check the connection of the Handpiece. If the problem still persists, contact your Authorized NSK Dealer.
12	Touch sensor communication abnormality	Turn the POWER switch to OFF and then to ON. If the problem still persists, contact your Authorized NSK Dealer.
13	Error in self-check of the Ultrasonic Unit	
14	Ultrasonic Unit system error	

14 Troubleshooting

If you are experiencing problems, please check the following before contacting your Authorized NSK Dealer.

(Ultrasonic Mode and Powder Mode)



Problem	Cause	Remedy
Beeping sound	Power was turned on while the Foot Control was depressed.	Release the Foot Control and turn the POWER switch to ON.
	Abnormal heating of the Control Unit.	Stop operation and leave until Control Unit cools.
Touch panel does not react well or touched key is not recognized correctly.	Calibration is slightly misaligned due to static electricity, exogenous noise, etc.	Turn the POWER switch to OFF and then to ON.
	Key was not touched at the center.	Touch the center of the key.
<ul style="list-style-type: none"> Water does not stop The water level cannot be adjusted 	Damage or wear of the O-Ring.	Follow the procedure in "10-1-5 Chamber Base Connector" to replace the O-Ring.
	Foreign material has become clogged in the water route.	Perform Auto-Cleaning. If the symptom is still not resolved, contact your Authorized NSK Dealer.

(Ultrasonic Mode)



Problem	Cause	Remedy
Alarm sounds are heard, and the Ultrasonic Mode Display (P/E/G) and "ULTRASONIC" blink alternately when the Foot Control button D is depressed.	The sensor built in to the Handpiece Holder is dirty and mistakenly detects mounting of the Handpiece.	Wipe the sensor clean.
No/Poor vibration.	The AC power cord plug is not connected to the wall socket or electricity is not supplied to the wall socket.	Check the connection.
	The Fuse is burned out.	Refer to "10-5 Replacing the fuse" and replace the fuse.
	The Tip is not tightened firmly.	Rotate the Tip Wrench until it makes a click sound and cannot rotate any further. If the problem still persists, replace the Tip Wrench as it may be worn out.
	Worn Tip.	Replace the Tip.
	The screw parts of the Handpiece and Tip are not clean.	Wipe them clean.
	The screw parts of the Handpiece are worn out as a result of a long time of use.	Contact your Authorized NSK Dealer.*
	Power has not been correctly adjusted for the Tip.	Adjust the power so it does not exceed the maximum power level mentioned in Tip-Power Guide or on the Tip case label.
	The Foot Control is disconnected.	Connect the Foot Control Cord Plug correctly.
	Failure of vibration device in the Handpiece.	Contact your Authorized NSK Dealer.*
	Failure of internal components of the Foot Control.	Contact your Authorized NSK Dealer.*
The Tip is bent or broken.	The sensor built in to the Handpiece Holder is dirty and mistakenly detects mounting of the Handpiece.	Wipe the sensor clean.
	Power has not been properly adjusted for the Tip.	Adjust the power so it does not exceed the maximum power level mentioned in Tip-Power Guide or the Tip case label.
The Tip falls off.	The Tip is not tightened firmly.	Tighten the Tip until the Tip Wrench clicks.

Problem	Cause	Remedy
Noise from the Handpiece.	Power has not been properly adjusted for the Tip.	Adjust the power so it does not exceed the maximum power level mentioned in Tip-Power Guide or the Tip case label.
	The Tip is not tightened firmly.	Rotate the Tip Wrench until it makes a click sound and cannot rotate any further. If the problem still persists, replace the Tip Wrench as it may be worn out.
	Failure of vibration in the Handpiece or the Control Unit.	Contact your Authorized NSK Dealer.*
The Handpiece is overheating.	Power has not been properly adjusted for the Tip.	Adjust the power so it does not exceed the maximum power level mentioned in Tip-Power Guide or the Tip case label.
	The Tip is not tightened firmly.	Rotate the Tip Wrench until it makes a click sound and cannot rotate any further. If the problem still persists, replace the Tip Wrench as it may be worn out.
	The screw parts of the Handpiece and Tip are not clean.	Wipe them clean.
	The screw parts of the Handpiece are worn out as a result of a long time of use.	Contact your Authorized NSK Dealer.*
	The Irrigation Volume is insufficient or irrigation has stopped.	Irrigate at an adequate volume.
	Vibration failure in the Handpiece or the Control Unit.	Contact your Authorized NSK Dealer.*
No Irrigation supply and/or unstable Irrigation supply (when using the Bottle)	The Irrigation Tube is twisted.	Straighten the twisted Irrigation Tube.
	Time to replace the Irrigation Pump.	Replace with a new Irrigation Pump (Refer to 10-2 Changing the Irrigation Pump).
No/Poor water supply. (when using Tap Water)	Water is not supplied to the Control Unit.	Check the water circuit so that water is supplied to the Control Unit. Supply water pressure: 0.1 - 0.3MPa
	The Irrigation Volume is set to "0."	Adjust to the adequate Irrigation Volume using the Irrigation Volume setting.
	Water supply may be unstable when the Irrigation Volume is insufficient.	This is not a malfunction. Increase the Irrigation Volume in the Irrigation Volume setting.
	Water Filter is clogged with foreign substances.	Replace the water filter with a new one.
Water leakage.	The Irrigation Tube is not connected correctly.	Firmly insert the Irrigation Tube all the way into the Irrigation Connector.
	O-Ring at the Handpiece Cord is worn or damaged.	Replace with a new O-ring by following the procedures in "10-1-1 Handpiece Cord."
	The water circuitry in the Control Unit is damaged.	Contact your Authorized NSK Dealer.*
Handpiece LED does not light.	The Handpiece is not connected to the Handpiece Cord correctly.	Firmly insert the Handpiece all the way into the Handpiece Cord.
	Failure in the Control Unit.	Contact your Authorized NSK Dealer.*



Problem	Cause	Remedy
Alarms are heard, and "POWDER" and the tooth icon blink alternately when the Foot Control button D or B is depressed.	The sensor built in to the Handpiece Holder is dirty and mistakenly detects mounting of the Handpiece.	Wipe the sensor clean.
	Chamber is not attached securely.	Attach the Chamber securely until the confirmation sound is heard.
Confirmation sound cannot be heard, or the icon that indicates Prophy Mode or Perio Mode is not displayed when the Chamber is attached.	Failure in the Control Unit (disconnection).	Contact your Authorized NSK Dealer.*
Air and powder are not supplied. Or air and powder are supplied but the pressure is not strong enough and cleaning power is also weak.	The inside of the Nozzle Tip is clogged with powder.	Replace the Nozzle Tip.
	The inside of the Handpiece is clogged with powder.	Clean the Nozzle base with the supplied Cleaning wire (small) and Nozzle end with the cleaning file. In addition, clean the inside of the Handpiece with the Cleaning wire (large). If powder and air do not flow after being cleaned as described above, perform Ultrasonic Cleaning with warm water. (Refer to "9-2-3 Ultrasonic Cleaning.")
	The inside of the Chamber is clogged with powder.	Remove powder from inside the Chamber by following the procedures in "9-4 Cleaning the Chamber and Hose."
	Powder has partially solidified with water, etc., in the air passage.	Remove powder from inside the passage by following the procedures in "9-2-1 Auto-Cleaning."
	Powder container has been left open exposing powder to the air.	Dispose of the powder and use new powder.
	Water is mixed in supply air.	Open the filter in the air supply circuit to drain the compressor, and check that water has not accumulated inside the air filter and compressor drain.
	The VCP Element is clogged.	Contact your Authorized NSK Dealer.*
Water leaks from between the Handpiece and Handpiece Hose.	The O-ring is scratched.	Replace the O-ring in the Handpiece joint section, apply a drop of the supplied turbine oil and rub it in with your finger. (Refer to "10-1-2 Handpiece Hose (for Prophy use and Perio use).")
Cannot remove the Chamber because the Lock Button cannot be pressed	The button is locked	Follow the procedure in "Releasing the Lock Button" in "9-4 Cleaning the Chamber and Hose" to release the Lock. If the symptom is not resolved, contact your Authorized NSK Dealer.*

* Cannot be fixed at clinics, etc.

15 Specifications

<Control Unit>

Model	Varios Combi Pro
Power source	AC100V - 240V 50/60Hz
Drive frequency	28 - 32kHz
Power input	78 - 98VA
Maximum output	11W
Supply air pressure	0.55 - 0.75MPa (5.5 - 7.5kgf/cm ²)
Supply water pressure	0.1 - 0.3MPa (1.0 - 3.0kgf/cm ²)
Bottle volume	400ml
Irrigation Volume (Ultrasonic Mode)	5.0 - 70.0mL/min (Irrigation Mode: Bottle/Tap water, Supply water pressure: 0.2MPa)
Dimension	W225 × D290 × H162mm (Including the Irrigation Bottle and Chamber)
Weight	2.7kg (Irrigation Bottle and Chamber not included)

<Foot Control>

Model	FC-79
Cord length	2.5m
Dimensions	W204 × D157 × H128mm (including Hanger)
Weight	415g (including Hanger)

<Ultrasonic Handpiece>

Model	VA2-LUX-HP
Cord length	1.8m (Connector not included)
Type of oscillation	Piezo type
Light	White LED
Dimensions	φ20 × 103mm (cord not included)
Weight	54g (cord not included)

<Powder Handpiece>


Model	PROPHY-HP/PERIO-HP
Hose length	1.8m (Connector not included)
Dimensions	φ16 × 107mm (cord not included)
Weight	33g (cord not included)

	Temperature	Humidity	Atmospheric pressure
Use environment*2	0 - 40°C	35 - 75%*1	—
Transportation and Storage environment	-10 - 50°C	10 - 85%	500 - 1,060hPa

*1 Without condensation

*2 The use of this product under conditions other than specified above may cause malfunction.

16 Classification of Equipment

- Type of protection against electric shock:
 - Class I equipment
- Degree of protection against electric shock:
 - Type B applied part:  (Applied parts: Ultrasonic Tip, Ultrasonic Handpiece, Nozzle Tip, Powder Handpiece)
- Method of sterilization or disinfection recommended by the manufacturer:
 - Autoclave sterilization
- Degree of protection against ingress of water as detailed in the current edition of IEC 60529:
 - Foot Control: IPX1 (Protected against vertically falling water drops)
- Degree of safety of application in the presence of a flammable anesthetic mixture with air or with oxygen or nitrous oxide:
 - Equipment NOT suitable for use in the presence of a flammable anesthetic mixture with air or with oxygen or nitrous oxide.
- Mode of operation:
 - Continuous operation

17 Operation Principle





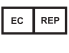











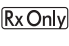




Ultrasonic Mode

A sinusoidal electrical signal is delivered by the generator at ultrasonic frequency ($f > 20\text{kHz}$). This signal is applied to the 'piezoelectric ceramic' located inside the transducer. Piezoelectric ceramic converts this signal into mechanical vibrations. These vibrations are at the same ultrasonic frequency as the electrical signal. The mechanical vibrations are propagated towards the distal end of the transducer. The "TIP" insert, which is attached at the distal end of the transducer, vibrates at ultrasonic frequencies and to achieve the purpose of the equipment.

Powder Mode

Sprays powder using air pressure to clean the tooth surface.

18 Symbol

	This product is Autoclavable up to Max. 135°C.		This product can be washed using Thermo Disinfector.
	Conforms to CE European Directive of "Medical device directive 93/42/EEC."		Manufacturer.
	Authorized representative in the European community.		Follow the waste of electric and electronic equipment (WEEE) Directive (2012/19/EU) for product and accessory disposal
	Consult operation instructions.		Type B applied part.
	Protected against dripping		For indoor use only.
	Marking on the outside of Equipment or Equipment parts that include RF transmitters or that apply RF electromagnetic energy for diagnosis or treatment		Temperature limitation.
	Do not reuse.		Use-by date
	Keep Dry.		Batch Code
	Caution: U.S. Federal law restricts this device to sale by or on the order of a licensed physician		Serial number
	Sterile		Caution
	GS1 DataMatrix for Unique Device Identifier.		

19 Warranty

NSK products are warranted against manufacturing errors and defects in materials. NSK reserves the right to analyze and determine the cause of any problem. Warranty is voided should the product be not used correctly or for the intended purpose or has been tampered with by unqualified personnel or has had non NSK parts installed. Replacement parts are available for seven years beyond discontinuation of the model.

20 Option Parts List

Model	Order Code	Remarks
MG-4H Multi Gauge	Z109400	
Tip Holder	Z221080	
Perio Set	Y1003042	Powder Handpiece (For Perio use) Chamber (For Perio use) Handpiece Hose (For Perio use) Perio-Mate powder Perio-Mate Nozzle Tip (40 pieces) Perio-Mate Nozzle Tip Remover

Model	Order Code	Remarks
Powder Handpiece (For Perio use)	T1077001	
Chamber (For Perio use)	U1135019	
Handpiece Hose (For Perio use)	T1053001	
Nozzle (For Perio use)	T1077012	
Perio-Mate powder	Y900938	2 bottles, each bottle contains 160g
Perio-Mate Nozzle Tip	Y1002741	40 pieces
Perio-Mate Nozzle Tip Remover	T1043751	
Water Pressure Reducing Valve	U1135093	

21 Spare Parts List

Model	Order Code	Remarks
FC-79	Z1256001	Foot Control
VCP Bottle Set	U1135017	Bottle and Cap (Irrigation Bottle, Irrigation Bottle Cap)
VCP Bottle Cap	U1135116	Cap only (Irrigation Bottle Cap)
VCP Bottle (Bottle only)	U1135099	Bottle only (Irrigation Bottle)
O-ring set (Irrigation Bottle)	Y1003544	One each of Thick and Thin O-ring
O-ring	Y1003546	1 for the Handpiece Cord
O-ring set (Chamber Base Connector)	Y1003435	
O-ring set (Handpiece Hose)	Y1003500	One each of Thick and Thin O-ring Common Parts for Prophy use and Perio use
O-ring set (Nozzle)	Y1003501	One each of Thick and Thin O-ring Common Parts for Prophy use and Perio use
O-ring	Y1003545	For Chamber Cap
Handpiece Cord	E351054	
Ultrasonic Handpiece	E351050	
Sterilization case	Z1035001	For Ultrasonic parts
Tip Wrench (CR-10)	Z221076	
Water Filter Set	U1135078	
Water Filter	U387042	
Spanner Wrench (5x8)	Y1001301	2
Irrigation Pump	U1135079	Connector ring excluded
FLASH pearl	Y900698	4 bottles, each bottle contains 300g
Prophy Set	Y1003771	Powder Handpiece (For Prophy use) Chamber (For Prophy use) Handpiece Hose (For Prophy use) FLASH pearl (5 sachets) Replacement O-ring
Chamber (For Prophy use)	U1135018	
Handpiece Hose (For Prophy use)	T1051001	
Powder Handpiece (For Prophy use)	T1074001	
Nozzle (For Prophy use)	T1074012	
Chamber Cap	U1135089	Cap only
Cleaning File	T798092	For the distal end and inside the Nozzle
Cleaning Wire (S)	T798095	For the root of the Nozzle
Cleaning Wire (L)	T798091	For parts other than those above
Cleaning Brush	T798093	
Unlocking tool	U1135256	
Ring Wrench	T1074601	
Turbine Oil	Z016112	
Air Hose	D0914406036	
Fuse	D1202220010	Rated value T2AH250V

22 Disposing product


In order to avoid the health risks of operators handling the disposal of medical equipment, as well as the risks of environmental contamination caused thereof, a surgeon or a dentist is required to confirm the equipment is sterile. Ask specialist firms who are licensed to dispose of specially controlled industrial wastes, to dispose the product for you.

23 EMC Information (Electromagnetic Compatibility Information)

Guidance and manufacturer's declaration - Electromagnetic Emissions		
The product is intended for use in the electromagnetic environment specified below. The customer or the user of the product should assure that it is used in such an environment.		
Emissions test	Compliance	Electromagnetic environment - guidance
RF emissions CISPR11/EN55011	Group 1	The product uses RF energy only for its internal function. Therefore, its RF emissions are very low and are not likely to cause any interference in nearby electronic equipment.
RF emissions CISPR11/EN55011	Class B	The product is suitable for use in all establishments, including domestic establishments and those directly connected to the public low-voltage power supply network that supplies buildings used for domestic purposes.
Harmonic emissions EN/IEC61000-3-2	class A (except 120V)	
Voltage fluctuations/flicker emissions EN/IEC61000-3-3	Complies (except 120V)	

Guidance and manufacturer's declaration - Electromagnetic Immunity			
The product is intended for use in the electromagnetic environment specified below. The customer or the user of the product should assure that it is used in such an environment.			
Immunity test	EN/IEC60601 test level	Compliance level	Electromagnetic environment - guidance
Electrostatic discharge (ESD) EN/IEC61000-4-2	$\pm(2,4)6\text{kV}$ contact $\pm(2,4)8\text{kV}$ air	$\pm(2,4)6\text{kV}$ contact $\pm(2,4)8\text{kV}$ air	Floors should be wood, concrete or ceramic tile. If floors are covered with synthetic material, the relative humidity should be at least 30%.
Electrical fast transient/burst EN/IEC61000-4-4	$\pm 2\text{kV}$ for power supply lines $\pm 1\text{kV}$ for input/output lines	$\pm 2\text{kV}$ for power supply lines $\pm 1\text{kV}$ for input/output lines	Mains power quality should be that of a typical commercial or hospital environment.
Surge EN/IEC61000-4-5	$\pm 1\text{kV}$ line(s) to line(s) $\pm 2\text{kV}$ line(s) to earth	$\pm 1\text{kV}$ line(s) to line(s) $\pm 2\text{kV}$ line(s) to earth	Mains power quality should be that of a typical commercial or hospital environment.
Voltage dips, short interruptions and voltage variations on power supply input lines EN/IEC61000-4-11	$<5\%$ U_t ($>95\%$ dip in U_t) for 0.5 cycles 40% U_t (60% dip in U_t) for 5 cycles 70% U_t (30% dip in U_t) for 0.5 cycles $<5\%$ U_t ($>95\%$ dip in U_t) for 5 sec	$<5\%$ U_t ($>95\%$ dip in U_t) for 0.5 cycles 40% U_t (60% dip in U_t) for 5 cycles 70% U_t (30% dip in U_t) for 0.5 cycles $<5\%$ U_t ($>95\%$ dip in U_t) for 5 sec	Mains power quality should be that of a typical commercial or hospital environment. If the user of the product requires continued operation during power mains interruptions, it is recommended that the product be powered from an uninterruptible power supply or a battery.
Power frequency (50/60Hz) magnetic field EN/IEC61000-4-8	3A/m	3A/m	Power frequency magnetic fields should be at levels characteristic of a typical location in a typical commercial or hospital environment.
NOTE: 'Ut' is the AC mains voltage prior to application of the test level.			

Guidance and manufacturer's declaration - Electromagnetic Immunity			
The product is intended for use in the electromagnetic environment specified below. The customer or the user of the product should assure that it is used in such an environment.			
Immunity test	EN/IEC60601 test level	Compliance level	Electromagnetic environment - guidance

Conducted RF EN/IEC61000-4-6	3Vrms 150kHz to 80MHz	3Vrms	<p>Portable and mobile RF communications equipment should be used no closer to any part of the product, including cables, than the recommended separation distance calculated from the equation applicable to the frequency of the transmitter.</p> <p>Recommended separation distance $d = 1.2 \sqrt{P}$ $d = 1.2 \sqrt{P}$ 80MHz to 800MHz $d = 2.3 \sqrt{P}$ 800MHz to 2.5GHz</p> <p>Where P is the maximum output power rating of the transmitter in watts (W) according to the transmitter manufacturer, and (d) is the recommended separation distance in meters (m). Field strengths from fixed RF transmitters as determined by an electromagnetic site survey(a) should be less than the compliance level in each frequency range(b). Interference may occur in the vicinity of equipment marked with the following symbol:</p> 
Radiated RF EN/IEC61000-4-3	3V/m 80MHz to 2.5GHz	3V/m	

NOTE 1: At 80MHz and 800MHz, the higher frequency range applies.

NOTE 2: These guidelines may not apply in all situations. Electromagnetic propagation is affected by absorption and reflection from structures, objects and people.

a: Field strengths from fixed transmitters, such as base stations for radio (cellular/cordless) telephones and land mobile radios, amateur radio, AM and FM radio broadcast and TV broadcast cannot be predicted theoretically with accuracy. To assess the electromagnetic environment due to fixed RF transmitters, an electromagnetic site survey should be considered. If the measured field strength in the location in which the product is used exceeds the applicable RF compliance level stated above, the product should be observed to verify normal operation. If abnormal performance is observed, additional measures may be necessary, such as reorienting or relocating the product.

b: Over the frequency range 150kHz to 80MHz, the field strength should be less than 3V/m.

Cables and accessories	Maximum length	Complies with
Handpiece Cord	2.0m (Unshielded)	RF emissions, CISPR11 ClassB/Group1
Foot Control Cord	2.5m (Unshielded)	Harmonic emissions, (except 120V) EN/IEC61000-3-2
AC Power Cord	3.0m (Unshielded)	Voltage fluctuations/flicker emission, (except 120V) EN/IEC61000-3-3 Electrostatic discharge (ESD): EN/IEC61000-4-2 Electrical fast transient/burst: EN/IEC61000-4-4 Surge: EN/IEC61000-4-5 Voltage dips, short interruptions and voltage variations on power supply input lines: EN/IEC61000-4-11 Power frequency(50/60Hz) magnetic field: EN/IEC61000-4-8 Conducted RF: EN/IEC61000-4-6 Radiated RF: EN/IEC61000-4-3

Recommended separation distances between portable and mobile RF communications equipment and the product

The product is intended for use in an electromagnetic environment in which radiated RF disturbances are controlled. The customer or the user of the product can help prevent electromagnetic interference by maintaining a minimum distance between portable and mobile RF communications equipment (transmitters) and the product as recommended below, according to the maximum output power of the communications equipment.

Rated maximum output power of transmitter	Separation distance according to frequency of transmitter m		
	150kHz to 80MHz $d = 1.2 \sqrt{P}$	80MHz to 800MHz $d = 1.2 \sqrt{P}$	800MHz to 2.5GHz $d = 2.3 \sqrt{P}$
0.01	0.12	0.12	0.23
0.1	0.38	0.38	0.73
1	1.2	1.2	2.3
10	3.8	3.8	7.3
100	12	12	23

For transmitters rated at a maximum output power not listed above, the recommended separation distance “d” in meters (m) can be estimated using the equation applicable to the frequency of the transmitter, where “P” is the maximum output power rating of the transmitter in watts (W) according to the transmitter manufacturer.

NOTE 1: At 80MHz and 800MHz, the higher frequency range applies.

NOTE2 : These guidelines may not apply in all situations. Electromagnetic propagation is affected by absorption and reflection from structures, objects and people.




Merci d'avoir acheté le Varios Combi Pro. Avant toute utilisation, lisez attentivement les instructions d'utilisation et d'entretien du présent mode d'emploi de manière à garantir une utilisation appropriée du produit pendant de nombreuses années. Conservez ce mode d'emploi à portée de main des utilisateurs pour toute consultation ultérieure.

– Table des matières –

1. Utilisateur et finalité d'utilisation	41
2. Précautions à prendre lors de la manipulation et du fonctionnement	41
3. Liste des accessoires	45
4. Nom des composants	46
5. Installation	48
6. Vérification avant utilisation	51
7. Utilisation du mode ultrasons	52
8. Utilisation du mode poudre	56
9. Entretien	60
10. Suivi et entretien	65
11. Autres fonctions	70
12. Contrôles d'entretien périodique	71
13. Code d'erreur	71
14. Dépannage	72
15. Caractéristiques	75
16. Classification de l'équipement	75
17. Principe de fonctionnement	76
18. Symbole	76
19. Garantie	76
20. Liste des pièces en option	77
21. Liste des pièces de rechange	77
22. Mise au rebut du produit	78
23. Informations CEM (compatibilité électromagnétique)	78

Français

* Certains chapitres sont signalés par le(s) pictogramme(s) ci-dessous afin d'indiquer quel(s) mode(s) y est/sont utilisé(s).

-  Descriptif concernant le mode ultrasons
-  Descriptif concernant le mode prophylactique en mode poudre
-  Descriptif concernant le mode parodontal en mode poudre



1 Utilisateur et finalité d'utilisation

Utilisateur : Dentiste, hygiéniste dentaire

Finalité d'utilisation : Nettoyage de la surface des dents, élimination de la plaque dentaire et du tartre, résection apicale, élargissement ou nettoyage du canal radiculaire, élimination de corps étrangers, obturation du canal radiculaire, amélioration de l'adhésion des restaurations fixes, incision ou élimination de tissu parodontal

2 Précautions à prendre lors de la manipulation et du fonctionnement

- Lisez soigneusement ces précautions et n'utilisez l'appareil qu'à des fins indiquées et uniquement selon les instructions données.
- Les instructions de sécurité ont pour but d'écarter tout danger potentiel pouvant déboucher sur des blessures corporelles ou endommager l'appareil.
Les instructions de sécurité sont classées comme suit, selon la gravité du risque.

Classification	Niveau de danger ou danger et gravité
 AVERTISSEMENT	Le non-respect des instructions de sécurité risque de provoquer des blessures graves ou d'endommager l'appareil.
 ATTENTION	Le non-respect des instructions de sécurité risque de provoquer des blessures légères ou d'endommager l'appareil.
REMARQUE	Informations générales relatives aux caractéristiques du produit entrant ainsi un dysfonctionnement ou une diminution des performances.

⚠ AVERTISSEMENT

<Mode ultrasons ou mode poudre>



- Ne prenez pas le cordon d'alimentation avec les mains humides. Le contact entre des mains humides et l'électricité peut entraîner une décharge électrique.
- Tenez à l'écart de substances explosives et de matériaux inflammables.
- Si le produit chauffe ou dégage une odeur de brûlé, coupez immédiatement le courant et débranchez la câble d'alimentation principale. Contactez votre distributeur NSK agréé.
- POUR EVITER LES CHOCS ELECTRIQUES, utilisez une prise électrique principale reliée à la terre.
- Ne l'utilisez pas à proximité de patients porteurs de stimulateurs cardiaques pour ne pas provoquer d'interférences.
- Le système fonctionne normalement dans un environnement dont la température est comprise entre 0 et 40 °C (32 à 104 °F), dont le taux d'humidité se situe entre 35 et 75 % HR et en l'absence de condensation dans le boîtier de contrôle. Son utilisation en dehors de ces limites peut entraîner un dysfonctionnement.
- Assurez-vous que de l'eau ou du désinfectant liquide ne pénètre pas dans le boîtier de contrôle. Cela pourrait provoquer un court-circuit et entraîner un incendie et/ou un choc électrique.
- Mettre à plusieurs reprises le commutateur principal en marche et à l'arrêt peut faire sauter un fusible.
- Si des gouttelettes d'eau, de produit chimique, de solvant ou de solution antiseptique entrent en contact avec le boîtier de contrôle, la pièce à main, le cordon de la pièce à main, le tuyau de la pièce à main, etc., essuyez-les immédiatement. Ne pas le faire peut provoquer une décoloration ou une déformation.
- Raccordez-le à un réseau public d'alimentation en eau fournissant de l'eau potable à une pression comprise entre 0,1 et 0,3 MPa. Une pression d'eau incorrecte peut provoquer une carence d'alimentation en eau ou un dysfonctionnement général ou partiel.
- Utilisez un adoucisseur d'eau, etc. pour diminuer la dureté de l'eau, car l'utilisation d'une eau à dureté élevée risque d'entraîner des dépôts minéraux ou calcaires dans le circuit hydraulique, ce qui pourrait entraîner des problèmes tels que des niveaux d'eau insuffisants, des problèmes de fonctionnement ou une panne. Dans ce cas, utilisez un tube d'irrigation avec un filtre à eau pour empêcher une panne du dispositif en raison de corps étrangers dans l'eau du robinet et reportez-vous à « 10-3 Remplacement du filtre à eau » pour remplacer le filtre à eau comme indiqué.
- N'effectuez pas de stérilisation utilisant des rayons ultraviolets. Cela peut provoquer une décoloration de la pièce à main.
- Tenez la fiche de connexion lorsque vous retirez le cordon de la pièce à main ou le tuyau de la pièce à main. Tirer sur le cordon ou le tuyau peut provoquer un débranchement ou endommager l'appareil.

<Mode ultrasons>



- Utilisez toujours l'alimentation en eau. Une alimentation en eau insuffisante provoque une surchauffe pouvant endommager la surface des dents du patient.
- Ne permettez pas au patient ou à l'assistant de regarder directement la LED de la pièce à main ou du cordon de la pièce à main. Cela peut nuire à ses capacités visuelles.

<Mode poudre>



- Ne l'utilisez pas sur les patients ci-après.
 - Patients présentant des complications médicales ou des allergies
 - Patients présentant des affections préexistantes (notamment cardiaques, pulmonaires, rénales ou hypertension artérielle)
 - Patients souffrant de maladies respiratoires.
 - Patients présentant des poches parodontales profondes (6 mm ou plus) ou des lésions de la muqueuse pathologiques. Une application prolongée du pulvérisateur sur le tissu mou ou les glandes salivaires peut entraîner une infiltration d'air pulvérisé dans ce même tissu mou ou les glandes salivaires et provoquer un emphysème.
 - Patients souffrant d'ulcères digestifs sévères.
 - Patients présentant un dysfonctionnement rénal.
 - Patients présentant un trouble respiratoire ou cardiaque ou une insuffisance ventilatoire.
 - Patients dotés d'une prothèse valvulaire cardiaque ou articulaire.
 - Patients souffrant d'allergies. Selon la constitution du patient, des symptômes d'allergie ou de stomatite peuvent apparaître dans de très rares cas. Si de tels symptômes sont détectés, cessez immédiatement d'utiliser le produit et consultez un médecin.
- Pendant l'utilisation de l'appareil, l'opérateur et son assistant sont tenus de toujours porter des lunettes et un masque de protection. En outre, veillez à aspirer et récupérer constamment la poudre éjectée durant l'utilisation de l'appareil. Si de la poudre pénètre dans les yeux, rincez immédiatement et abondamment à l'eau et consultez un ophtalmologiste.
- Réglez la pression d'alimentation en air sur 0,55 - 0,75 MPa et utilisez un air propre et sec. Une utilisation avec une pression incorrecte peut causer une insuffisance de la pression de pulvérisation (puissance) ou un dysfonctionnement général ou partiel.

<Mode prophylactique>



- Ne pulvérisez pas directement sur le ciment du canal radiculaire, l'émail décalcifié, un amalgame dentaire ou le bord d'une prothèse ou d'un amalgame.

⚠ AVERTISSEMENT

<Mode parodontal>



- Lorsque vous utilisez le mode parodontal, veillez à ne pas provoquer d'emphysème du fait de la pulvérisation d'air chargé en poudre à l'intérieur des poches parodontales. Si un traitement utilisant le mode parodontal provoque un emphysème, cessez immédiatement d'utiliser ce produit et consultez un médecin.
- Ne l'utilisez pas sur les patients ci-après. L'utilisation sur les poches parodontales de ces patients peut entraîner une bactériémie.
 - Patients présentant une inflammation de l'endocarde
 - Patients souffrant d'une maladie ou affection contagieuse
 - Patients présentant un déficit immunitaire (neutropénie, granulocytopenie, agranulocytose, diabète, hémophilie)
 - Patients suivant un traitement par radiothérapie, chimiothérapie ou antibiotique
- Ne l'utilisez pas sur les patients suivants. (Sauf utilisation sans insert)
 - Patients présentant une cavité buccale endommagée ou anormale.
 - Patients présentant une congestion sanguine, une hémorragie ou une inflammation de la cavité buccale.
 - Patients présentant un risque d'apparition d'inflammations ou de plaies sur la muqueuse buccale.
- Utilisez ce produit exclusivement pour l'entretien après un traitement parodontal de base. Ne l'utilisez jamais à d'autres fins.
- Utilisez le mode parodontal uniquement sur les poches parodontales répondant aux critères suivants :
 - Poches parodontales provoquées par une maladie gingivale
 - Poches parodontales d'une profondeur inférieure à 6 mm et ayant subi un traitement parodontal de base
- Vérifiez la profondeur des poches parodontales à l'aide d'une sonde de mesure ou d'une photographie avant utilisation.
- Utilisez exclusivement la poudre de nettoyage indiquée. L'utilisation d'autres poudres peut entraîner un dysfonctionnement, une insuffisance de fonctionnement, endommager le ciment et la dentine ou provoquer un emphysème. NSK rejette toute responsabilité concernant les problèmes survenus du fait de l'utilisation d'une poudre autre que celles indiquées.
- L'insert destiné au mode parodontal livré dans l'emballage du produit est stérile. Pour utiliser ces produits, procédez comme ci-dessous.
 - L'insert est à usage unique. Ne pas le réutiliser ou le restériliser pour ne pas provoquer le bris du produit ou l'infection.
 - Avant utilisation, vérifiez que l'emballage n'a PAS été ouvert ou endommagé. Si l'emballage est ouvert ou endommagé, n'utilisez pas l'insert, car il peut être endommagé ou contaminé.
 - Respectez la date de péremption figurant sur l'étiquette d'emballage de l'insert. Ne pas utiliser de produits périmés pour éviter le bris du produit ou l'infection.

⚠ ATTENTION

<Mode ultrasons ou mode poudre>



- Lisez ce mode d'emploi avant utilisation pour bien comprendre les fonctions du produit et conservez-le.
- Lorsque vous utilisez le produit, veillez à toujours vous assurer de la sécurité du patient.
- L'utilisateur final sera responsable pour tout jugement qui concerne l'application de ce produit sur un patient.
- Les utilisateurs sont responsables des vérifications opérationnelles, de l'entretien et de l'inspection permanente de cet appareil.
- Cet appareil ne peut être utilisé qu'à l'intérieur.
- Le boîtier de contrôle doit reposer sur une surface plane.
- N'essayez pas de démonter le produit ou de modifier son mécanisme, sauf si NSK vous le recommande dans ce mode d'emploi.
- Veillez à ce que le produit ne soit soumis à aucun impact. Ne faites pas tomber le produit. Le barreau de quartz et la pièce à main peuvent être endommagés si vous avez fait tomber la pièce à main à ultrasons.
- Les opérateurs et toutes les autres personnes présentes dans la pièce doivent porter des lunettes de protection et un masque lors de l'utilisation de ce produit.
- Si le produit ne fonctionne pas correctement, arrêtez immédiatement de l'utiliser et contactez votre distributeur NSK agréé.
- Insérez la pièce à main correctement et complètement sur le cordon ou le tuyau de la pièce à main lors du branchement.
- N'effectuez pas de stérilisation en autoclave du cordon ou du tuyau de la pièce à main. Utilisez de l'alcool pour désinfecter le cordon ou le tuyau après usage.
- N'essuyez pas, ne nettoyez pas ou n'immergez pas le produit dans de l'eau fortement acide ou des solutions de stérilisation.
- Ce produit n'est pas livré dans un état stérile, à l'exception de l'insert (option) et doit être autoclavé avant utilisation. Reportez-vous à « 9-3 Stérilisation » pour plus de détails.
- Réalisez régulièrement des contrôles d'entretien et fonctionnels.
- Si le produit n'a pas été utilisé pendant une période prolongée, vérifiez son bon fonctionnement avant de l'utiliser sur un patient.
- Pour éviter les périodes d'indisponibilité, il est recommandé de conserver un appareil de réserve en cas de panne durant une opération chirurgicale.
- Remplacez toujours le fusible par un autre fusible de la puissance spécifiée.
- Ce produit est classé équipement médical électrique. La CEM (compatibilité électromagnétique) est décrite dans la documentation jointe.
- L'installation et l'utilisation de ce produit exigent des précautions particulières en matière de CEM. Se conformer aux informations CEM.
- Les équipements de communication RF mobiles et portables peuvent interférer avec l'équipement électrique médical. N'utilisez pas d'équipement RF à proximité du produit.
- L'utilisation d'ACCESSOIRES, comme des pièces à main et des câbles, autres que ceux spécifiés par le fabricant (exception faite des pièces à main et des câbles vendus par le fabricant de ce produit en tant que pièces de rechange des composants internes) peut déboucher sur une augmentation des EMISSIONS ou une diminution de l'IMMUNITÉ de ce produit.
- Ce produit ne peut pas être utilisé ni entreposé à proximité d'autres équipements. Si l'utilisation ou le stockage à proximité s'impose, ce produit doit être contrôlé pour vérifier son bon fonctionnement dans la configuration dans laquelle il sera utilisé.

⚠ ATTENTION

- Le système peut présenter des dysfonctionnements s'il est utilisé en présence d'une onde d'interférence électromagnétique. N'installez pas le système dans le voisinage d'un appareil qui émet des ondes magnétiques. Coupez l'interrupteur principal du système lorsqu'un appareil d'oscillation ultrasonique se situe à proximité du lieu d'utilisation.
- La loi fédérale américaine limite ce dispositif à la vente par ou sur l'ordre d'un médecin autorisé.
- Pour des raisons de sécurité, installez le boîtier de contrôle dans un endroit où le cordon d'alimentation CA peut facilement être enlevé. (Il est possible de déconnecter le boîtier de contrôle de la source d'alimentation en enlevant le cordon d'alimentation CA)

<Mode ultrasons>



- La température de la surface de l'extrémité peut atteindre 65 °C si de l'eau de refroidissement n'est pas utilisée. Afin d'éviter cette situation, veillez à utiliser de l'eau de refroidissement.

<Mode poudre>

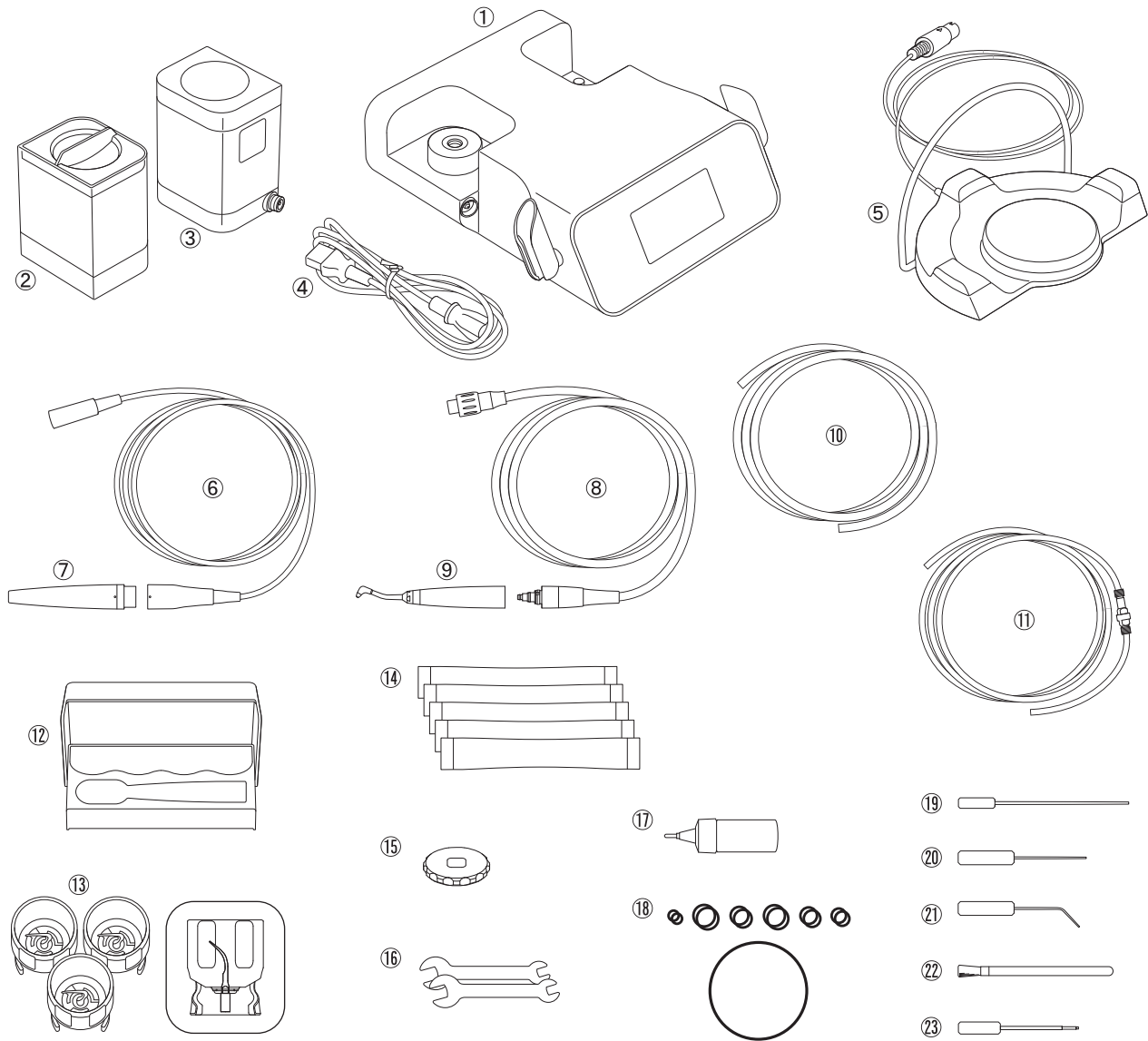


- Veillez attentivement à ce que de la poudre de nettoyage ne pénètre pas d'autres muqueuses du patient (yeux, nez, etc.) que celle de la cavité buccale. Aussi, protégez le visage du patient avec une serviette, des lunettes de protection, etc. afin d'éviter que de la poudre de nettoyage ne s'introduise dans ses yeux.
* Si le patient porte des lentilles de contact, remettez-lui des lunettes de protection ou demandez-lui de retirer ses lentilles de contact avant traitement.
- Assurez-vous que l'air comprimé est sec et propre. De l'eau ou de l'huile mélangée à l'air peuvent provoquer une solidification de la poudre de nettoyage à l'intérieur du produit.
- Fermez fermement le capuchon de la chambre pour éviter que celui-ci ne soit expulsé, ce qui pourrait entraîner une blessure.
- N'ouvrez pas le capuchon de la chambre pendant l'utilisation. Cela peut provoquer la projection de poudre par le capuchon de la chambre du fait de la pression élevée dans la chambre.
- Avant de raccorder le tuyau de la pièce à main, la chambre et la pièce à main ou la chambre et le boîtier de contrôle, veillez à éliminer toute l'eau présente aux raccords du tuyau et de la chambre en y insufflant de l'air sec. Si cela n'est pas fait, de l'humidité peut pénétrer dans l'alimentation d'air, provoquant la solidification de la poudre de nettoyage à l'intérieur du produit.
- En fonction de l'environnement d'utilisation, la température de la surface de la pièce à main à poudre peut atteindre 50 °C.
- Si de la poudre de nettoyage est présente en quantité excessive dans la chambre, il se peut que la quantité de poudre pulvérisée en début d'utilisation soit inappropriée.
- La poudre se disperse facilement du fait de la finesse de ses particules. Par conséquent, remplissez la chambre lentement et avec précaution pour empêcher la poudre de se disperser.
- La poudre stockée dans des emballages ouverts depuis longtemps peut devenir humide et s'agglomérer. Utilisez toujours une poudre neuve et sèche. Si vous utilisez de la poudre en flacon (option), veillez à bien fermer le couvercle du flacon après utilisation.
- Appliquez de la vaseline, etc. sur les lèvres du patient pour éviter que la commissure ne sèche ou ne gerce.

REMARQUE

- Aucune formation spéciale n'est requise pour utiliser cet appareil.
- En raison de la chaleur, la stérilisation par autoclave répétée peut entraîner la décoloration de la pièce à main ultrasonique. Cependant, ceci est dû aux propriétés du produit et n'est pas un problème lié à la qualité.

3 Liste des accessoires



L'insert est monté à l'intérieur de la Clé dynamométrique (CR-10).

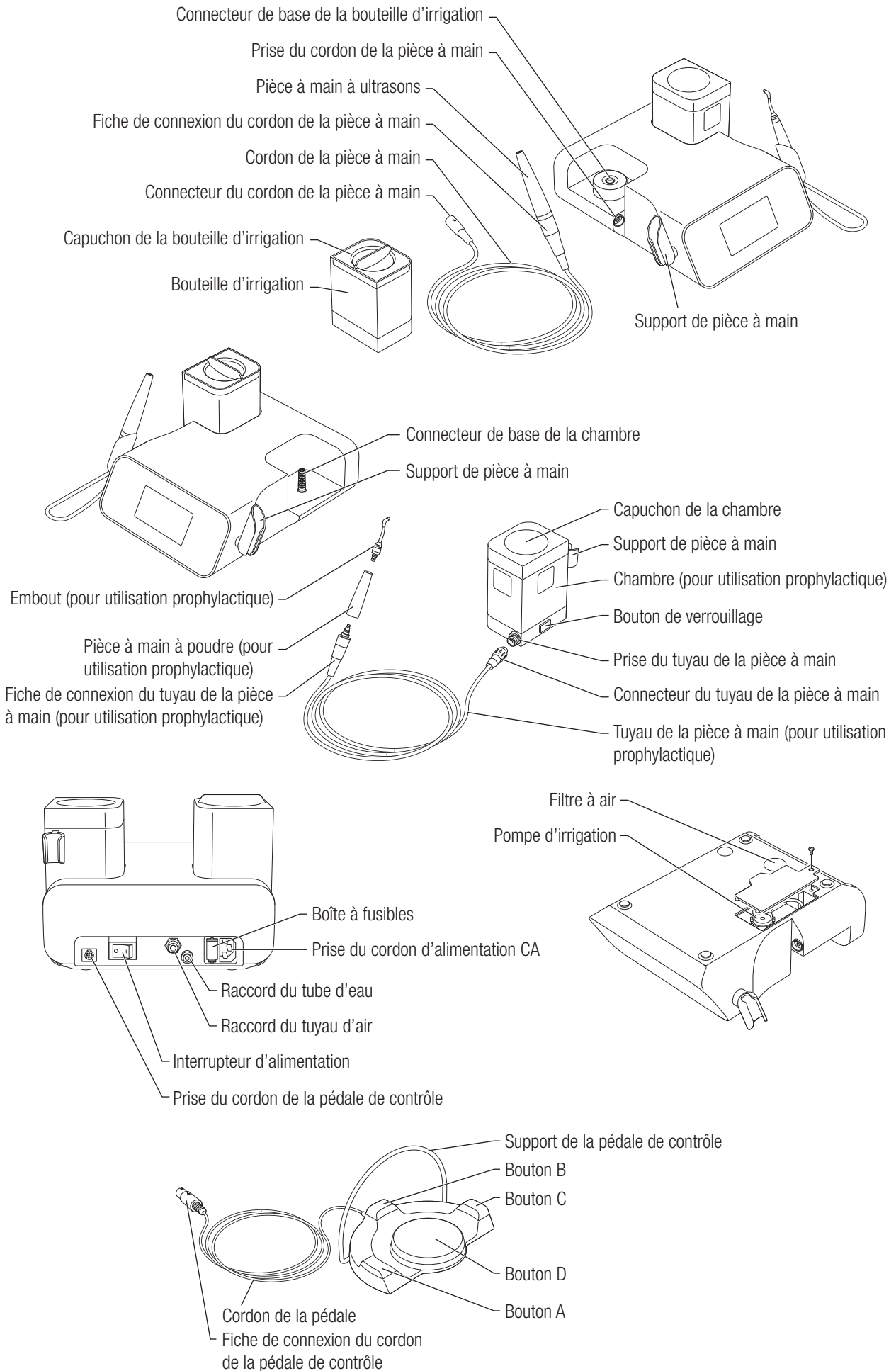
N°	Nom de la pièce	Quantité	N°	Nom de la pièce	Quantité
1	Boîtier de contrôle	1	14	FLASH pearl	5
2	Bouteille d'irrigation	1	15	Clé dynamométrique anneau	1
3	Chambre (pour utilisation prophylactique)	1	16	Clé pour écrou (5 x 8)	2
4	Cordon d'alimentation CA	1	17	Huile pour turbine	1
5	Pédale	1	18	Joints de rechange	7 types
6	Cordon de la pièce à main	1	19	Lime de nettoyage Longue	1
7	Pièce à main à ultrasons	1	20	Lime de nettoyage Courte	1
8	Tuyau de la pièce à main (pour utilisation prophylactique)	1	21	Fil de nettoyage	1
9	Pièce à main à poudre (pour utilisation prophylactique)	1	22	Brosse de nettoyage	1
10	Tuyau d'air	1	23	Outil de déverrouillage	1
11	Ensemble de filtre à eau	1	24	Mode d'emploi (le présent mode d'emploi)*	1
12	Boîtier de stérilisation	1	25	Guide puissance insert*	1
13	Insert et clé dynamométrique	3	26	Carte insert*	1
			27	Guide d'installation rapide de Varios Combi Pro*	1

* Non représentés dans les figures ci-dessus

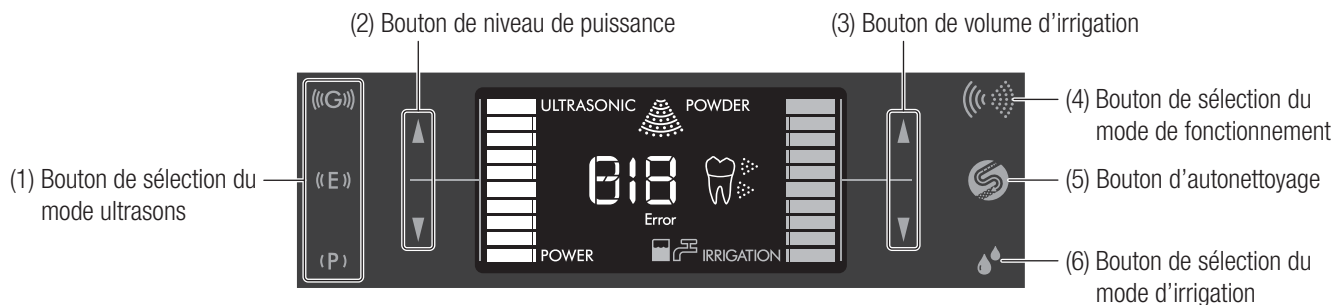
REMARQUE

- FLASH pearl et la poudre Perio-Mate (option), utilisés en mode poudre, sont, sauf indication contraire, dénommés « poudre » dans le présent mode d'emploi.
- Le kit parodontal optionnel doit être acheté séparément pour pouvoir utiliser le mode parodontal. Reportez-vous à « 20 Liste des pièces en option » pour plus de détails sur le kit parodontal.

4 Nom des composants

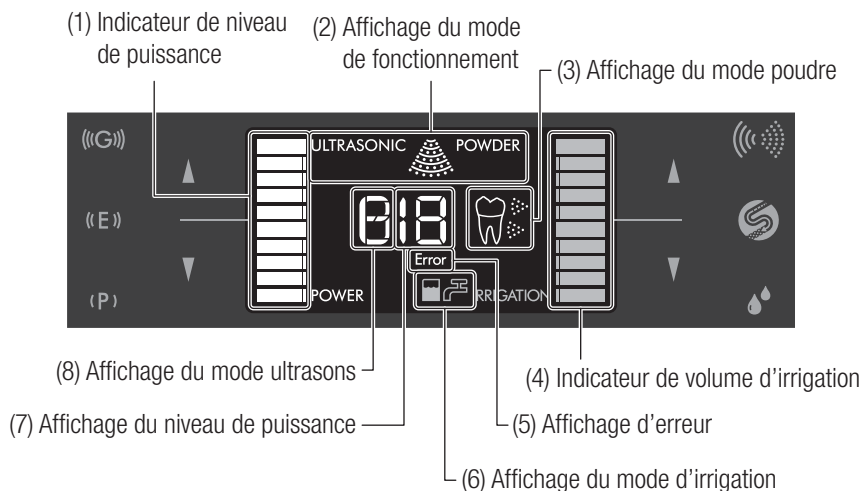


4-1 Panneau de commande



- | | |
|------------------------------------------------------------------------------------------------------------------------------------------------------------------------------------------------------------------------------------------------------------------------------------------------------------------------------------------------------------------------------------------------------------------------------------------------------------------------------------------------------------------------------------------------------------------------------------------------------------------------------------------------|-------------------------------------------------------------------------------------------------------------------------------------------------------------------------------------------------------------------------------------------------------------------------------------------------------------------------------------------------------------------------------------------------------------------------------------------------------------------------------------------------------------------------------------------------------------------------------------------------------------------------------------------------------------------------------------------------------------------------------------------------------------|
| <p>(1) Bouton de sélection du mode ultrasons
Bascule le mode ultrasons sur P (parodontal), E (endodontique) ou G (général). Le niveau de puissance le plus élevé est G, suivi de E et de P. Le niveau de puissance ainsi que le niveau et le mode d'irrigation peuvent être paramétrés pour chaque mode.</p> <p>(2) Bouton de niveau de puissance
Définit le niveau de puissance à l'aide des touches ▲/▼.</p> <p>(3) Bouton de volume d'irrigation
Définit le volume d'irrigation à l'aide des touches ▲/▼.</p> <p>(4) Bouton de sélection du mode de fonctionnement
Bascule en « mode ultrasons » ou en « mode poudre ».</p> | <p>(5) Bouton d'autonettoyage
Démarre l'autonettoyage. Reportez-vous à « 9-1-1 Autonettoyage » (pièce à main à ultrasons) ou à « 9-2-1 Autonettoyage » (pièce à main à poudre) pour plus de détails.
Mode ultrasons :
Vaporise de l'eau du robinet pendant 15 secondes, puis de l'eau provenant de la bouteille d'irrigation pendant 30 secondes pour nettoyer la pièce à main à ultrasons.
Mode poudre :
Vaporise simultanément de l'air et de l'eau pendant 10 secondes, puis uniquement de l'air pendant 35 secondes.</p> <p>(6) Bouton de sélection du mode d'irrigation
Sélectionne le mode d'irrigation (bouteille ou eau du robinet) pour le mode ultrasons. L'eau du robinet est toujours utilisée pour le mode poudre.</p> |
|------------------------------------------------------------------------------------------------------------------------------------------------------------------------------------------------------------------------------------------------------------------------------------------------------------------------------------------------------------------------------------------------------------------------------------------------------------------------------------------------------------------------------------------------------------------------------------------------------------------------------------------------|-------------------------------------------------------------------------------------------------------------------------------------------------------------------------------------------------------------------------------------------------------------------------------------------------------------------------------------------------------------------------------------------------------------------------------------------------------------------------------------------------------------------------------------------------------------------------------------------------------------------------------------------------------------------------------------------------------------------------------------------------------------|

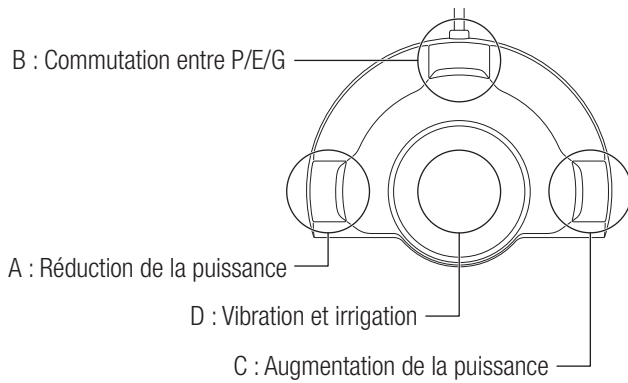
4-2 Écran LCD



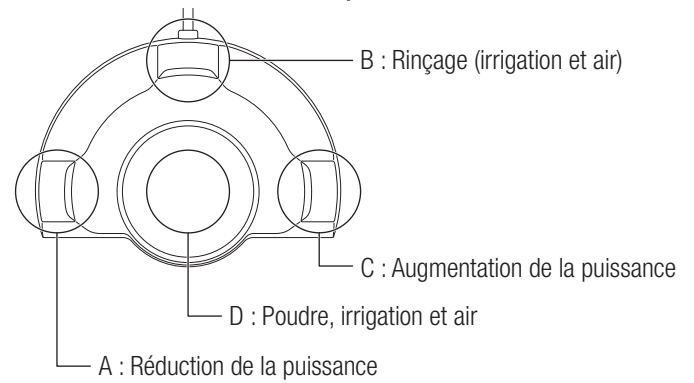
- | | |
|-------------------------------------------------------------------------------------------------------------------------------------------------------------------------------------------------------------------------------------------------------------------------------------------------------------------------------------------------------------------------------------------------------------------------------------------------------------------------------------------------------|----------------------------------------------------------------------------------------------------------------------------------------------------------------------------------------------------------------------------------------------------------------------------------------------------------------------------------------------------------------------------------------------------------------------------------------------------------------------------------------------------------------------------------|
| <p>(1) Indicateur de niveau de puissance
Affiche le niveau de puissance actuel sous forme de barres.</p> <p>(2) Affichage du mode de fonctionnement
Affiche le mode de fonctionnement actuel (ultrasons ou poudre).</p> <p>(3) Affichage du mode poudre
Affiche la chambre définie (prophylactique ou parodontale) (uniquement lorsque le mode poudre est utilisé).</p> <p>(4) Indicateur de volume d'irrigation
Affiche le niveau d'irrigation sélectionné sous forme de barres.</p> | <p>(5) Affichage d'erreur
S'affiche lorsqu'une erreur survient. Reportez-vous à « 13 Code d'erreur » pour plus de détails.</p> <p>(6) Affichage du mode d'irrigation
Affiche le mode d'irrigation (bouteille ou eau du robinet) pour le mode ultrasons. L'eau du robinet est toujours utilisée pour le mode poudre.</p> <p>(7) Affichage du niveau de puissance
Affiche le niveau de puissance actuel sous forme numérique.</p> <p>(8) Affichage du mode ultrasons
Affiche le mode ultrasons actuel (P/E/G).</p> |
|-------------------------------------------------------------------------------------------------------------------------------------------------------------------------------------------------------------------------------------------------------------------------------------------------------------------------------------------------------------------------------------------------------------------------------------------------------------------------------------------------------|----------------------------------------------------------------------------------------------------------------------------------------------------------------------------------------------------------------------------------------------------------------------------------------------------------------------------------------------------------------------------------------------------------------------------------------------------------------------------------------------------------------------------------|

4-3 Pédale de contrôle

Lors de l'utilisation du mode ultrasons



Lors de l'utilisation du mode poudre



Mode ultrasons

- A : Baisse de puissance
Réduit le niveau de puissance.
- B : Sélectionne P/E/G (mode ultrasons)
Règle le mode ultrasons sur P (parodontal) → E (endodontique)
→ G (général) → P (parodontal)... à chaque pression sur le bouton.
- C : Hausse de puissance
Augmente le niveau de puissance.
- D : Vibration et irrigation
Vibre et irrigue pendant que le bouton est enfoncé.


Mode poudre

- A : Baisse de puissance
Réduit le niveau de puissance.
- B : Rinçage (irrigation et air)
Vaporise de l'eau et de l'air pendant que le bouton est enfoncé.
- C : Hausse de puissance
Augmente le niveau de puissance.
- D : Poudre, irrigation et air
Vaporise de la poudre, de l'eau et de l'air pendant que le bouton est enfoncé.

5 Installation

5-1 Raccordement du cordon d'alimentation CA

- 1) Mettez l'interrupteur d'alimentation hors tension avant de brancher le cordon d'alimentation CA.
- 2) Insérez le cordon d'alimentation CA correctement dans la prise qui lui est destinée à l'arrière du boîtier de contrôle (Fig. 1).
- 3) Branchez le cordon d'alimentation CA dans une prise murale spécialement destinée à un usage médical.

- ATTENTION**  • Ne tirez pas sur le cordon d'alimentation CA.
- Assurez-vous que le produit a été totalement arrêté avant de retirer ou d'insérer le cordon d'alimentation CA.

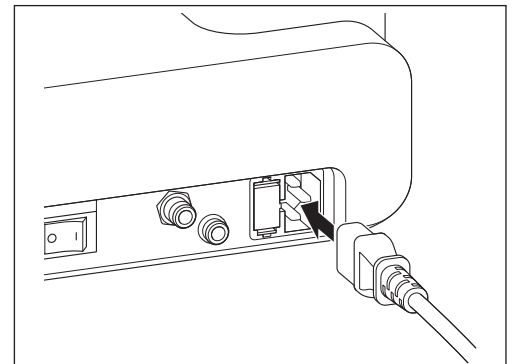


Fig. 1

5-2 Raccordement du tuyau d'air

- 1) Insérez profondément l'une des extrémités du tuyau d'air dans le raccord (Fig. 2).
- 2) Tirez doucement sur le tuyau d'air et vérifiez qu'il ne sorte pas.
- 3) Pour retirer le tuyau d'air, tirez dessus en poussant le joint bleu en direction du boîtier de contrôle (Fig. 3).

ATTENTION

- Utilisez de l'air propre et sec. La poudre peut s'agglomérer si l'air contient de l'humidité ou de l'huile.

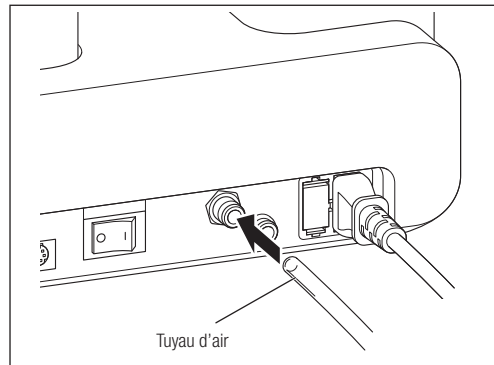


Fig. 2

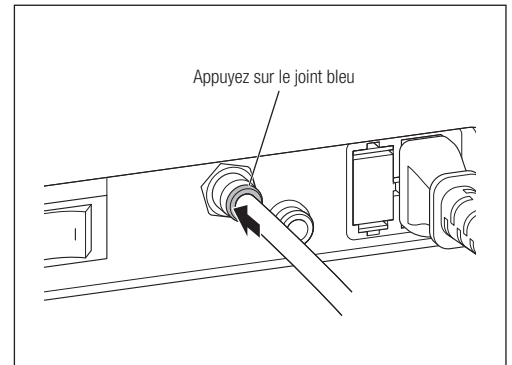


Fig. 3

5-3 Raccordement de la pédale de contrôle

- 1) Insérez le support de la pédale de contrôle de manière à ce qu'il pénètre correctement dans les orifices placés au verso de la pédale de contrôle (Fig. 4).
- 2) Insérez la fiche de connexion de la pédale de contrôle dans la prise qui lui est destinée en gardant le repère ▲ dirigé vers le haut (Fig. 5).

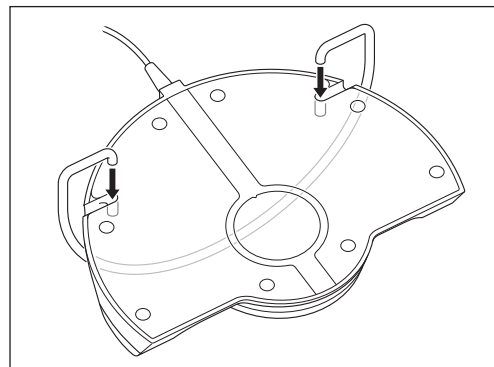


Fig. 4

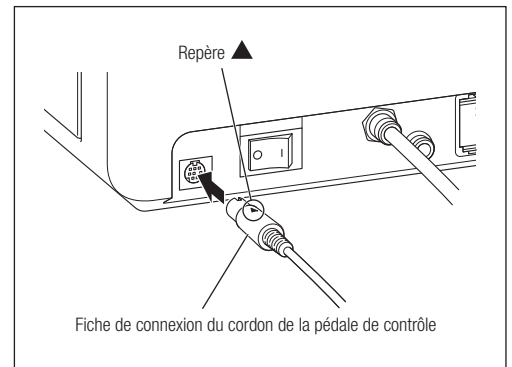


Fig. 5

ULTRASONIC

5-4 Raccordement du cordon de la pièce à main (pièce à main à ultrasons)

Insérez le cordon de la pièce à main dans la prise qui lui est destinée en gardant le repère ▲ dirigé vers le haut (Fig. 6). Insérez-la complètement.

ATTENTION

- Vérifiez que la fiche de connexion du cordon de la pièce à main soit propre et sèche avant le branchement.

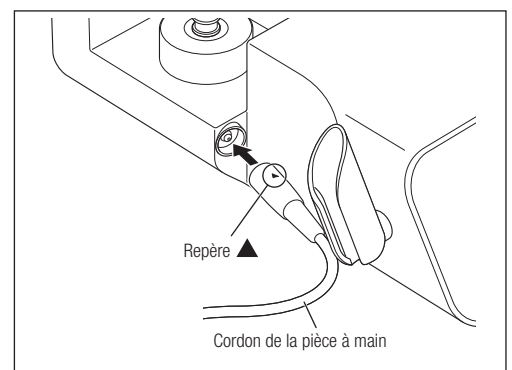


Fig. 6

5-5 Raccordement du tuyau de la pièce à main (Pièce à main à poudre)

- 1) Utilisez de l'air pour faire sécher la prise ainsi que le tuyau de la pièce à main.
- 2) Insérez le raccord du tuyau de la pièce à main de manière à ce qu'il pénètre correctement dans l'orifice de la prise qui lui est destinée et serrez son écrou (Fig. 7).

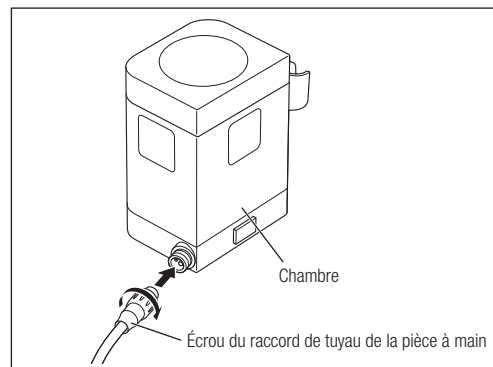


Fig. 7

5-6 Connexion et déconnexion de la pièce à main



- Veillez à utiliser exclusivement la pièce à main fournie.

ATTENTION



5-6-1 Pièce à main à ultrasons

(1) Connexion

Alignez les points placés sur la pièce à main à ultrasons et la fiche de connexion du cordon de la pièce à main. Insérez la pièce à main directement dans la prise (Fig. 8).

(2) Déconnexion

Tenez la pièce à main à ultrasons et la fiche de connexion du cordon de la pièce à main, puis retirez la pièce à main.

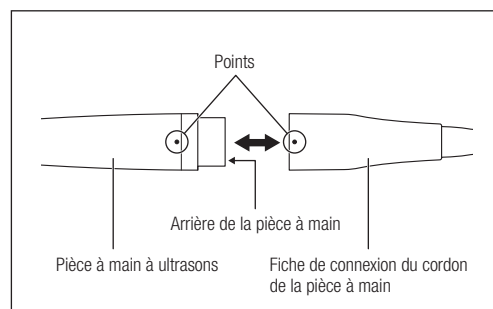


Fig. 8



AVERTISSEMENT

- Pour éviter les chocs électriques, ne touchez pas les contacts électriques de l'extrémité de la pièce à main ni le cordon de la pièce à main.



ATTENTION

- Ne tordez pas la pièce à main ou le cordon de la pièce à main lorsque vous la retirez. Cela peut endommager les contacts électriques de la prise et entraîner un dysfonctionnement.
- Avant de connecter le cordon de la pièce à main à la pièce à main, orientez le connecteur de la pièce à main sur le côté afin qu'il soit éclairé et vérifiez l'extrémité de la pièce à main. Si la lumière transmise par l'extrémité de la fibre optique brille de manière uniforme à l'extrémité, elle fonctionne normalement. Si elle est en partie ou complètement sombre, il se peut que l'extrémité de la fibre optique soit fissurée ou cassée.

5-6-2 Pièce à main à poudre

(1) Connexion

- 1) Utilisez de l'air pour faire sécher le raccord entre la pièce à main et la fiche de connexion du tuyau de la pièce à main.
- 2) Insérez la fiche de connexion du tuyau de la pièce à main dans la pièce à main à poudre (Fig. 9).

(2) Déconnexion

Tenez la pièce à main à poudre et la fiche de connexion du tuyau de la pièce à main, puis retirez la pièce à main.

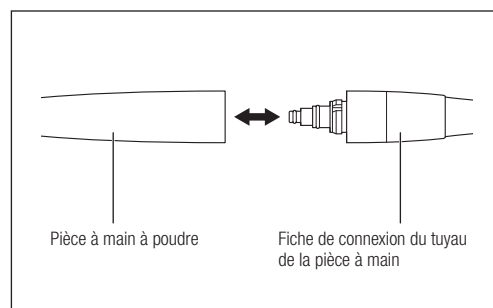


Fig. 9

5-7 Raccordement du tube d'eau

- 1) Insérez profondément une des extrémités (celle dotée d'un filtre à eau) dans le raccord du tube d'eau (Fig. 10).
- 2) Raccordez l'autre extrémité du tube d'eau à la sortie d'eau de l'unité dentaire.
- 3) Tirez doucement sur le tube d'eau et vérifiez qu'il ne sorte pas.
- 4) Pour retirer le tube d'eau du raccord, tirez dessus en poussant le joint vert en direction du boîtier de contrôle (Fig. 11).

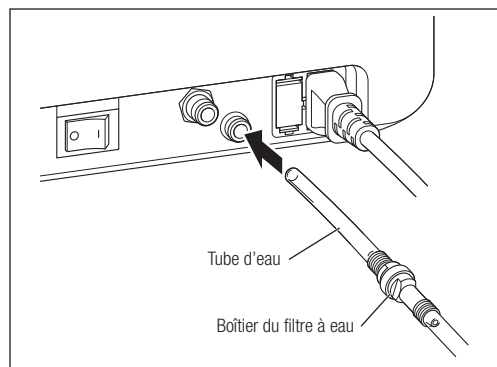


Fig. 10

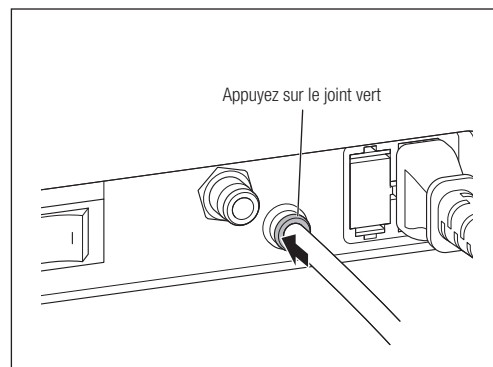


Fig. 11



AVERTISSEMENT

- Utilisez un adoucisseur d'eau, etc. pour diminuer la dureté de l'eau, car l'utilisation d'une eau à dureté élevée risque d'entraîner des dépôts minéraux ou calcaires dans le circuit hydraulique, ce qui pourrait entraîner des problèmes tels que des niveaux d'eau insuffisants, des problèmes de fonctionnement ou une panne. Dans ce cas, utilisez un tube d'irrigation avec un filtre à eau pour empêcher une panne du dispositif en raison de corps étrangers dans l'eau du robinet et reportez-vous à « 10-3 Remplacement du filtre à eau » pour remplacer le filtre à eau comme indiqué.



ATTENTION

- Si la sortie d'eau de l'unité dentaire n'a pas été utilisée pendant une durée prolongée, l'eau peut contenir de la rouille, etc. lorsqu'elle coule pour la première fois. Assurez-vous que l'eau soit claire avant de raccorder le tube d'eau.
- Insérez le tube d'eau fermement dans le raccord lorsque vous le branchez au boîtier de contrôle. Une fuite d'eau peut se produire si le tube n'est pas inséré correctement.

6 Vérification avant utilisation

Avant utilisation, faites fonctionner le produit en l'absence de patient pour vérifier qu'il ne produit ni vibrations, ni bruit, ni chaleur, etc. anormaux. Vérifiez également les points suivants :

- Pièce à main à ultrasons : La LED s'allume et l'eau coule.
- Pièce à main à poudre : L'alimentation en poudre, en air et en eau s'effectue correctement.

Si vous remarquez la moindre anomalie pendant que vous testez ou faites fonctionner le produit, cessez immédiatement son utilisation et contactez votre distributeur NSK agréé.

Lorsque vous effectuez un autonettoyage, l'eau à l'intérieur du cordon/tuyau de la pièce à main est évacuée, ce qui risque de provoquer un arrêt de la sortie d'eau la prochaine fois que vous utiliserez le boîtier de contrôle. Si cela se produit, réglez le volume d'irrigation sur 10 et faites fonctionner la pièce à main pendant environ 30 secondes après que l'eau a commencé à sortir. Reportez-vous à « 14 Dépannage » si l'eau ne commence pas à sortir après plus de 20 secondes, même si vous réglez le débit d'irrigation sur 10.

7 Utilisation du mode ultrasons

7-1 Réglage du système d'alimentation en eau

Utilisation de la bouteille

- 1) Retirez le capuchon de protection du connecteur de base de la bouteille d'irrigation (Fig. 12).
- 2) Retirez le capuchon de la bouteille d'irrigation et remplissez-la d'eau ou de solution désinfectante jusqu'au niveau souhaité.
- 3) Fermez bien le capuchon de la bouteille d'irrigation et insérez le joint dans le connecteur de base de la bouteille d'irrigation (Fig. 13).
Soulevez la bouteille d'irrigation pour la retirer.

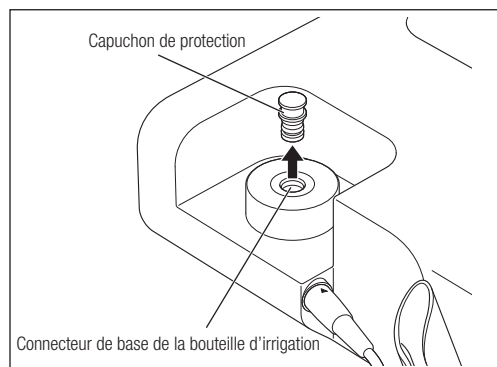


Fig. 12

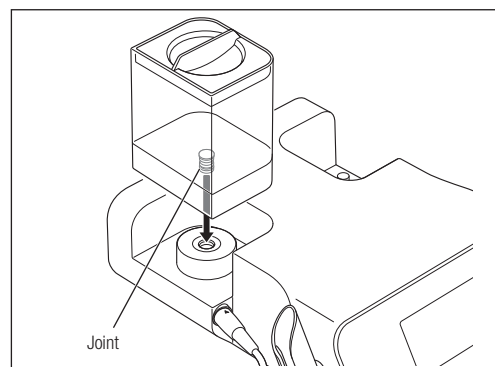


Fig. 13

ATTENTION

- Utilisez exclusivement des bouteilles de la série Varios Combi Pro.
- Insérez la bouteille d'irrigation de manière à ce qu'elle soit bien droite. Si ce n'est pas le cas, cela peut endommager le joint.
- Nettoyez la bouteille d'irrigation et son capuchon à l'eau propre après utilisation et avant de la ranger.
- Fixez le capuchon de protection au connecteur de base de la bouteille d'irrigation lorsqu'aucune bouteille n'est installée.
- Assurez-vous que la température du liquide soit inférieure à 35 °C.
- Ne versez pas d'acides puissants (comme de l'eau fortement acide, de l'eau super acide ou de l'eau électrolysée acide) ou de solution d'acide hypochloreux dans la bouteille d'irrigation car ces substances peuvent provoquer un engorgement de l'alimentation en eau ou corroder le métal.

Utilisation d'eau de ville

- 1) Assurez-vous que le tube d'eau est fermement raccordé au connecteur de tube d'eau du boîtier de contrôle. Reportez-vous à « 5-7 Raccordement du tube d'eau » pour plus de détails.
- 2) Ouvrez la vanne de l'unité dentaire et réglez la pression d'eau sur une valeur comprise entre 0,1 et 0,3 MPa (1,0 à 3,0 kgf/cm²). Si la pression d'eau dépasse 0,3 MPa, utilisez un détendeur de pression d'eau (option) afin de ramener celle-ci dans la fourchette spécifiée. Reportez-vous à « 20 Liste des pièces en option » pour plus de détails sur le détendeur de pression d'eau.

7-2 Installation de l'insert

- 1) Vérifiez que les parties à visser de la pièce à main et de l'insert sont propres (Fig. 14).
- 2) Faites pénétrer l'insert dans l'extrémité distale de la pièce à main et vissez-le jusqu'à ce qu'il soit légèrement serré (Fig. 15).

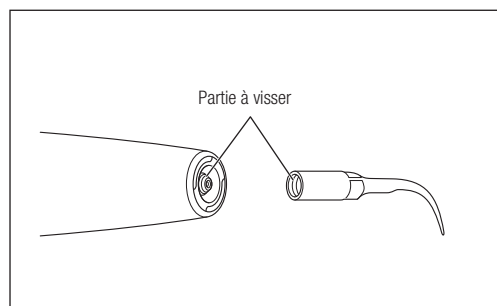


Fig. 14

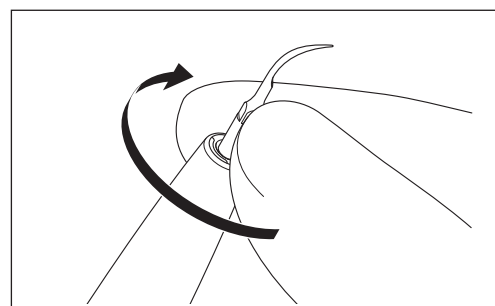


Fig. 15

3) Faites coïncider la partie carrée de l'insert avec l'orifice de la clé dynamométrique (CR-10), puis insérez-la dans ce même orifice. Faites tourner la clé jusqu'à entendre un déclic et que toute rotation supplémentaire soit impossible. Durant la procédure, maintenez la pièce à main de manière à éviter que le cordon de la pièce à main ne se torde. Pour retirer l'insert, faites tourner la clé dans le sens de la flèche « Desserrer » (Fig. 16).

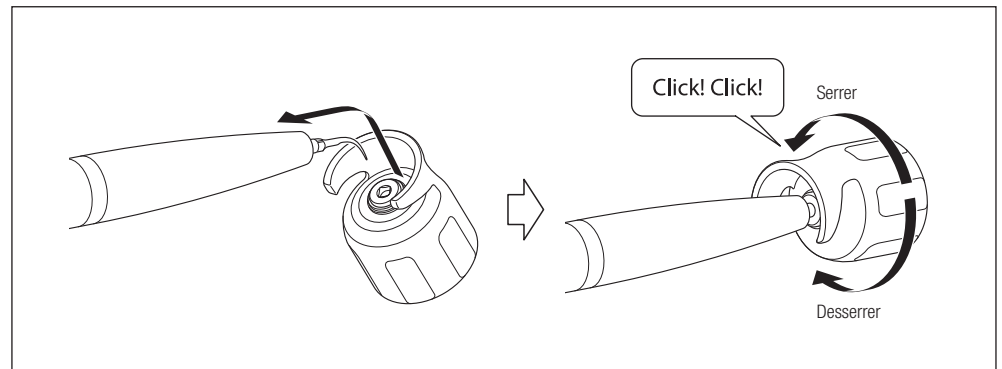


Fig. 16

AVERTISSEMENT

- Ne permettez aucun contact avec les gencives, les muqueuses ou la peau. Cela peut provoquer des lésions ou des brûlures.
- **RECOUREZ EXCLUSIVEMENT** à des inserts NSK authentiques lorsque vous utilisez ce produit. Les problèmes entraînés par l'utilisation d'inserts qui ne sont pas fabriqués par NSK, comme des dommages ou des pannes de la pièce à main, voire des accidents, ne sont pas couverts par la garantie. Les problèmes suivants peuvent survenir si vous utilisez des inserts qui ne sont pas fabriqués par NSK :
 - Vibrations gênantes provoquées par des vis incompatibles.
 - Ingestions accidentelles d'inserts cassés par les patients.
 - Dommages ou usure prématurée du filetage de la pièce à main.

ATTENTION

- Veillez bien à ne pas tordre le cordon de la pièce à main lorsque vous serrez l'insert.
- Faites attention lorsque vous installez ou retirez un insert plus long que la clé dynamométrique (CR-10), car la pointe de l'insert peut provoquer des blessures.
- N'utilisez pas un insert endommagé, plié ou corrodé, car il peut se casser en cours d'utilisation.
- Afin d'éviter d'abîmer le filetage et l'extrémité à visser de l'insert, veillez toujours à ce que ce dernier soit inséré selon l'angle correct et fermement fixé.
- Si vous trouvez des débris dans le filetage de l'insert, car nettoyez-le immédiatement. Ne pas le faire peut provoquer un bruit ou une vibration insuffisante.
- N'essayez pas d'aiguiser ou de plier l'insert car cela peut provoquer une cassure, un bruit ou une vibration insuffisante.
- L'insert est un élément d'usure. Les inserts usés connaissent un risque accru de bruit, de cassure ou de vibration insuffisante. Remplacez l'insert si du bruit ou une vibration insuffisante apparaissent.
- Utilisez la clé dynamométrique (CR-10) fournie pour installer l'insert. Faites tourner la clé jusqu'à entendre un déclic et que toute rotation supplémentaire soit impossible. Si l'insert n'est pas suffisamment serré, un bruit ou une vibration insuffisante peuvent apparaître.
- Lors de l'installation de l'insert, portez toujours des gants chirurgicaux stériles et utilisez un insert, une pièce à main ainsi qu'une clé dynamométrique (CR-10) préalablement stérilisés.
- Assurez-vous que le réglage de puissance n'excède pas le niveau de puissance recommandé. Ne pas le faire peut provoquer un bruit, une cassure de l'insert ou une blessure sur le patient.
- N'utilisez pas d'inserts qui ne sont pas destinés à retirer des couronnes en métal ou des prothèses dans ce but. Cela peut entraîner la cassure de l'insert et sa chute dans la bouche du patient.
- Retirez l'insert avant de fixer ou de retirer la pièce à main ou le cordon de la pièce à main afin d'éviter de vous blesser avec.
- Si une vibration insuffisante est observée en cours d'utilisation, retirez la pièce à main de la bouche du patient et appuyez de nouveau sur la pédale. Si cela n'entraîne aucune amélioration, l'insert peut s'être desserré en cours d'utilisation. Vérifiez que l'insert est bien installé.
- Si l'insert se desserre, génère du bruit ou ne vibre pas suffisamment alors même qu'il a été serré jusqu'à ce qu'un déclic se fasse entendre, cela peut être dû à l'usure de la clé dynamométrique (CR-10). La clé dynamométrique (CR-10) est un élément d'usure et doit être remplacée chaque année.

■ Utilisation de la carte insert

ATTENTION

- Les inserts sont des éléments d'usure. Utilisez la carte insert fournie pour vérifier l'état d'un insert et le remplacer si nécessaire.

Placez le col de l'insert dans la découpe de la carte insert. Mesurez la longueur de l'insert et vérifiez l'échéance de remplacement (Fig. 17). Afin de garantir une utilisation efficace et en toute sécurité, il est recommandé de remplacer les inserts lorsque leur extrémité atteint la ligne jaune (usure d'1 mm).

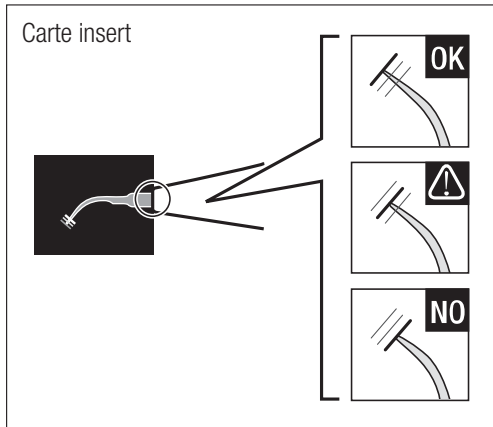


Fig. 17

Vert : Aucune usure - l'insert est en bon état
Le remplacement de l'insert n'est pas nécessaire.

Jaune : Usure d'1 mm - l'insert présente des signes d'usure
Le remplacement de l'insert est recommandé.

Rouge : Usure de 2 mm - l'insert est très usé
L'insert doit être remplacé.

ATTENTION

- Les inserts sont des consommables. L'efficacité du détartrage dentaire décroît d'environ 25 % lorsque l'extrémité de l'insert perd 1 mm du fait de l'usure et environ 50 % lorsqu'elle en perd 2 mm. De plus, les conditions de vibration sont modifiées par l'usure, ce qui peut causer des dommages à la surface des dents du patient. Contrôlez périodiquement l'état d'usure de l'insert à l'aide de la carte insert et remplacez-le au moment opportun.

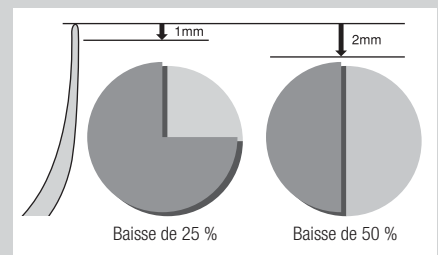


Fig. 18

7-3 Réglage du niveau de puissance.

- Appuyez sur le bouton de sélection du mode ultrasons pour choisir le mode. Le mode sélectionné s'affiche sur l'écran LCD sous la forme P/E/G (Fig. 19).
- Appuyez sur le bouton de niveau de puissance (▲/▼) pour régler le niveau de puissance. L'affichage et l'indicateur de niveau de puissance augmentent ou décroissent en fonction du niveau sélectionné (Fig. 20).

ATTENTION

- Assurez-vous que le réglage de puissance n'excède pas le niveau de puissance recommandé. (Reportez-vous au « Guide puissance insert » ou au « Guide des inserts » pour connaître la puissance maximale pouvant être appliquée à chaque insert.)

REMARQUE

- Appuyez sur le bouton de niveau de puissance et maintenez-le enfoncé pour augmenter ou réduire le niveau de puissance en continu. Une alerte retentit quand les niveaux maximum et minimum sont atteints.
- Pour irriguer sans faire vibrer l'insert, réglez le niveau de puissance sur « 0 (zéro) » et le volume d'irrigation sur une barre ou plus.

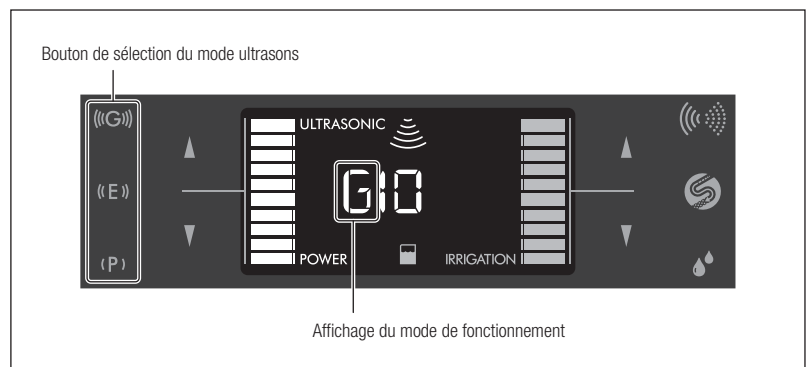


Fig. 19

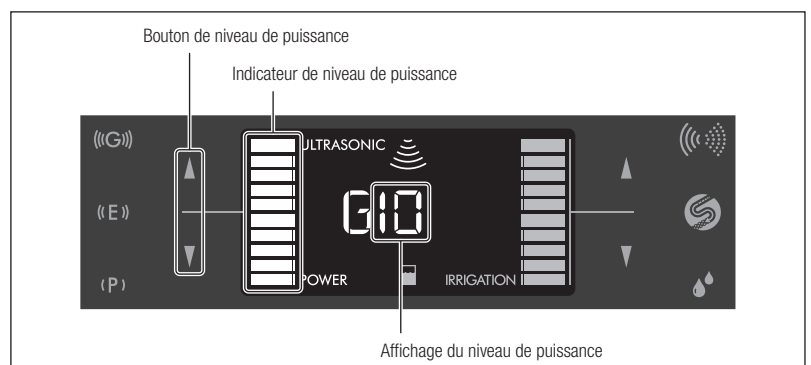


Fig. 20

7-4 Réglage de l'irrigation

Appuyez sur le bouton de sélection du mode d'irrigation pour sélectionner le mode (bouteille ou eau du robinet). Le mode sélectionné s'affiche sur l'écran LCD sous forme de pictogramme (Fig. 21).

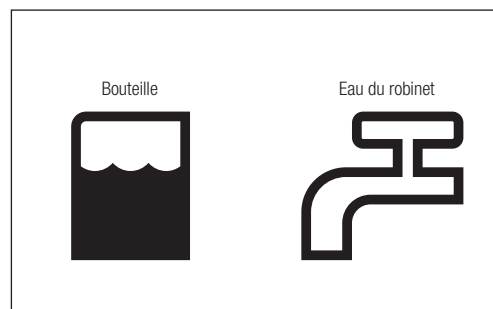


Fig. 21

7-5 Fonctionnement

- 1) Appuyez sur le bouton souhaité sur la pédale. Un bip retentit, l'insert commence à vibrer et la LED de la pièce à main s'allume.
- 2) Réglez le volume d'irrigation en appuyant sur les boutons d'ajustement du volume d'irrigation (▲/▼) tout en vérifiant l'irrigation au niveau de l'insert.

ATTENTION

- Par mesure de sécurité, ce produit ne fonctionne pas quand l'interrupteur d'alimentation est placé sous tension alors que la pédale est enfoncée. Dans ce cas, une alarme sonore retentit et l'affichage de mode ultrasons (P/E/G) et « ULTRASONIC » clignotent en alternance. Relâchez la pédale puis enfoncez-la de nouveau.
- Utilisez toujours l'irrigation. Si l'irrigation est insuffisante, la pièce à main surchauffera et pourra endommager la surface des dents du patient.
- Vérifiez que l'eau propre est vaporisée correctement avant utilisation.
- La vaporisation de l'eau peut ne pas s'effectuer de manière fluide si le volume d'irrigation est réglé à un niveau trop bas. Dans ce cas, augmentez momentanément le volume d'irrigation et appuyez sur la pédale. Vérifiez que l'insert vaporise l'eau de manière fluide et réglez à nouveau le volume d'irrigation.
- Ne forcez pas la rotation du support de la pièce à main car cela peut l'endommager.

REMARQUE

- La LED de la pièce à main reste allumée environ 5 secondes après que la pédale a été relâchée (fonction de persistance).
- Les réglages concernant le mode ultrasons (P/E/G), le niveau de puissance ainsi que le mode et le volume d'irrigation sont sauvegardés après la mise hors tension et sont appliqués lors de la mise sous tension suivante (fonction dernière sauvegarde).
- Si, tandis que le mode d'irrigation est défini sur eau du robinet, le volume d'irrigation est trop bas alors qu'il est réglé sur 10 ou trop élevé alors qu'il est réglé sur 1, ajustez le niveau d'irrigation de base. Reportez-vous à « 11-3 Réglage du niveau d'eau de base » pour plus de détails.
- Un bourdonnement peut se faire entendre mais cela n'indique pas un dysfonctionnement.

■ Pendant le fonctionnement de la pièce à main :

Vous pouvez : Régler le niveau de puissance et le volume d'irrigation

Vous ne pouvez pas : Modifier les paramètres des modes ultrasons et d'irrigation ou effectuer un autonettoyage

7-6 Après le traitement

Procédez à l'entretien après chaque utilisation sur un patient. Reportez-vous à « 9 Entretien » pour plus de détails.

ATTENTION

- Ce produit peut connaître un dysfonctionnement si un entretien correct n'est pas effectué.

7-7 Circuit de protection

Ce produit peut subir une surchauffe interne si le boîtier de contrôle est utilisé avec une puissance de 8 en mode G pendant une période prolongée. Dans ce cas, le circuit de protection réduit automatiquement la puissance (niveau 7). L'affichage en barres clignote et passe de 8 à 10 (Fig. 22). Cet indicateur cesse de clignoter lorsque le circuit de protection est libéré. Néanmoins, dans ce cas, le niveau de puissance n'augmente pas automatiquement. Augmentez manuellement le niveau de puissance si nécessaire.

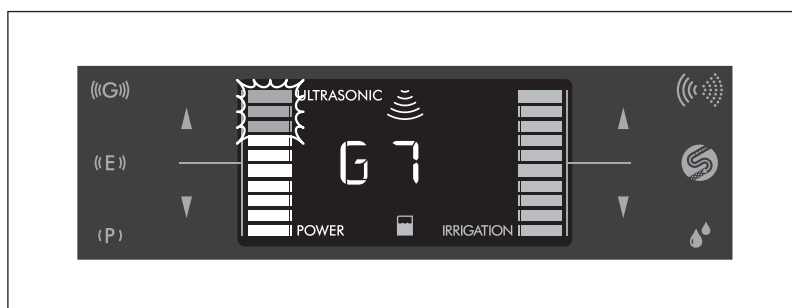


Fig. 22

REMARQUE

- Le niveau de puissance ne peut pas être porté à une valeur supérieure ou égale à 8 lorsque le circuit de protection a fonctionné (pendant que l'affichage en barres clignote).
- L'affichage en barres cesse de clignoter lorsque le niveau de puissance est devenu inférieur à 7. Il recommence à clignoter si le niveau de puissance est porté à 7 alors que le circuit de protection est activé.

8 Utilisation du mode poudre

Le kit parodontal optionnel doit être acheté pour pouvoir utiliser le mode parodontal. Reportez-vous à « 20 Liste des pièces en option » pour plus de détails sur le kit parodontal.

8-1 Réglage du système d'alimentation en eau

- 1) Assurez-vous que le tube d'eau est fermement raccordé au connecteur de tube d'eau du boîtier de contrôle. Reportez-vous à « 5-7 Raccordement du tube d'eau » pour plus de détails.
- 2) Ouvrez la vanne d'alimentation en eau de l'unité dentaire et réglez la pression d'eau sur une valeur comprise entre 0,1 et 0,3 MPa (1,0 à 3,0 kgf/cm²). Si la pression d'eau dépasse 0,3 MPa, utilisez un détendeur de pression d'eau (option) afin de ramener celle-ci dans la fourchette spécifiée. Reportez-vous à « 20 Liste des pièces en option » pour plus de détails sur le détendeur de pression d'eau.



- Utilisez exclusivement de l'eau potable pour l'irrigation.

ATTENTION

8-2 Préparation de la poudre

- 1) Sélectionnez la chambre et la poudre qui seront utilisés avec ce mode. Remplissez la chambre de poudre jusqu'à la ligne « MAX » (soit environ 80 g de FLASH pearl ou 50 g de poudre Perio-Mate) (Fig. 23).

Mode	Chambre	Poudre
Mode prophylactique	Pour utilisation prophylactique	FLASH pearl
Mode parodontal	Pour utilisation parodontale	Poudre Perio-Mate

- 2) Fermez bien le capuchon de la chambre jusqu'à ce qu'il s'adapte complètement à la chambre et insérez-la bien droit sur le boîtier de contrôle (Fig. 24). Le type de chambre insérée est affiché sur l'écran LCD sous la forme d'une des icônes suivantes (Fig. 25).

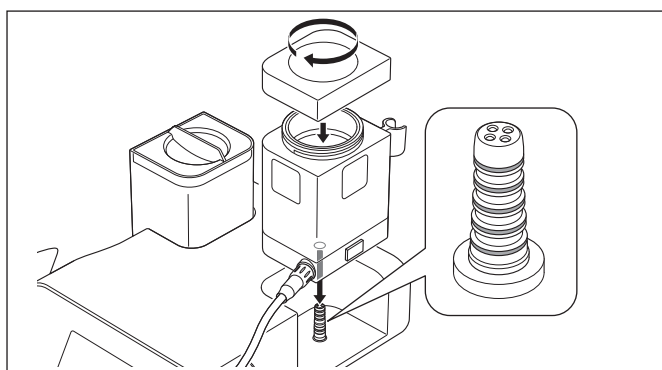


Fig. 24

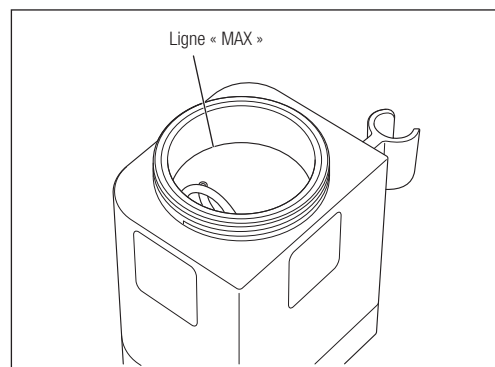


Fig. 23

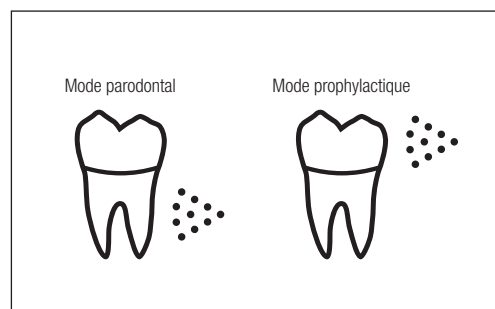


Fig. 25



AVERTISSEMENT

- Utilisez exclusivement la poudre indiquée. L'utilisation d'autres poudres peut provoquer une panne du produit, des dommages à la dent ou causer un emphysème. De plus, cela peut entraîner une diminution des performances du produit. Nous ne pouvons pas être tenus responsables des pannes causées par l'utilisation d'autres poudres.



ATTENTION

- Fermez fermement le capuchon de la chambre pour éviter que celui-ci ne soit expulsé, ce qui pourrait entraîner une blessure (Fig. 26).
- Avant d'insérer la chambre dans le boîtier de contrôle, assurez-vous que les joints du connecteur de base de la chambre ne sont pas endommagés ou déchirés (Fig. 24). Des dommages/déchirures pourraient provoquer un mauvais fonctionnement ou un dysfonctionnement.
- Insérez la chambre dans le boîtier de contrôle de manière droite. Si vous l'insérez de manière inclinée, cela pourrait endommager les joints et provoquer un dysfonctionnement.
- Si de la poudre de nettoyage est présente en quantité excessive dans la chambre, il se peut que la quantité de poudre appropriée ne soit pas pulvérisée immédiatement après le début de l'utilisation.
- N'utilisez pas de poudre qui a été stockée dans un emballage ouvert ou de restes de poudre. L'utilisation d'une telle poudre peut provoquer l'obstruction de l'embout. Ne mélangez pas de restes de poudre à de la poudre neuve.
- Avant d'insérer la chambre, vérifiez le connecteur de base de la chambre pour l'eau, etc. et essuyez-le s'il est mouillé. Ne pas procéder ainsi peut provoquer une obstruction de poudre.
- N'utilisez pas de poudre décolorée.
- Refermez bien le couvercle du flacon de poudre après chaque utilisation. Si cela n'est pas fait, de l'humidité pénétrera et la poudre pourra s'agglomérer.
- Si de la poudre adhère à la chambre et/ou au capuchon de la chambre, nettoyez-la immédiatement sinon le capuchon deviendra difficile à fermer.
- Ne retournez pas la chambre tant qu'elle contient de la poudre. Cela provoquerait une obstruction de poudre.



Fig. 26

ATTENTION

- Par mesure de sécurité, ce produit ne fonctionne pas si la pédale est enfoncée alors que la chambre est installée de manière incorrecte. Une alarme sonore retentit et les icônes dent et « POWDER » clignotent en alternance. Installez la chambre correctement.
- La poudre Perio-Mate (option) se disperse facilement du fait de la finesse de ses particules. Remplissez la chambre lentement de manière à éviter que la poudre ne se disperse et veillez à ne pas en avaler ni à la laisser pénétrer dans vos yeux.
- FLASH pearl est presque insoluble dans l'eau. Pour éviter que l'utilisation de FLASH pearl n'obstrue les tuyaux, un nettoyage et un entretien périodiques du tuyau d'aspiration, de l'éjecteur de salive et du séparateur sont nécessaires.



8-3 Fixation/retrait de l'insert

8-3-1 Fixation de l'insert

Fixez fermement l'insert (option) sur l'embout de la pièce à main à poudre (pour une utilisation parodontale) (Fig. 27).

AVERTISSEMENT

- N'utilisez pas d'insert déformé ou endommagé. Il pourrait se détacher en cours d'utilisation.

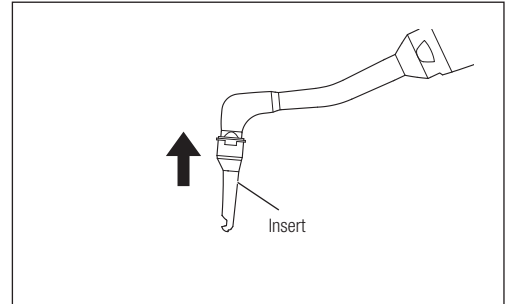


Fig. 27

ATTENTION

- Veillez à bien fixer fermement l'insert comme indiqué sur la figure (Fig. 28). Si l'insert n'est pas fixé correctement, il se détachera et pourra être accidentellement ingéré par le patient.
- Lorsque vous fixez un insert sur la pièce à main à poudre, portez toujours des gants chirurgicaux stériles et veillez à ce que la pièce à main à poudre ait été stérilisée.

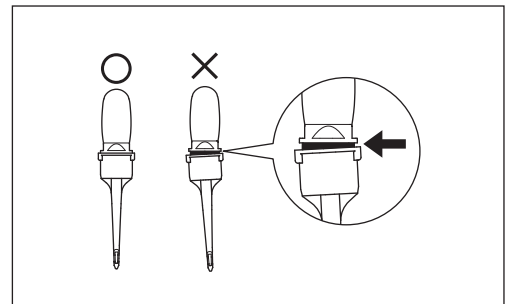


Fig. 28

8-3-2 Retrait de l'insert

Utilisez l'extracteur d'insert Perio-Mate (option) pour retirer l'insert (Fig. 29) et mettez-le au rebut une fois retiré.

AVERTISSEMENT

- Un insert ne peut être utilisé qu'une seule fois. Ne réutilisez pas ou ne stérilisez pas à nouveau un insert car il peut être endommagé ou contaminé. Si un insert est réutilisé, il se peut qu'il ne fonctionne pas correctement du fait d'une déformation due à son retrait ou qu'il se détache en cours d'utilisation, causant une ingestion accidentelle par le patient. Cela vaut également pour un insert qui a été accidentellement retiré.

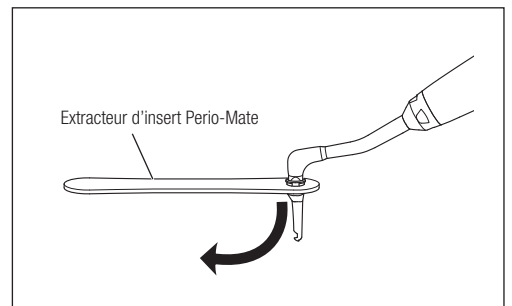


Fig. 29

8-4 Réglage du niveau de puissance

Appuyez sur les boutons de niveau de puissance (▲/▼) pour régler le niveau de puissance. L'affichage et l'indicateur de niveau de puissance augmentent ou décroissent en fonction du niveau de puissance sélectionné (Fig. 30).

- REMARQUE**
- Si vous spécifiez ce réglage sans fixer la chambre, le niveau de puissance sera réglé lors de l'utilisation du mode prophylactique.

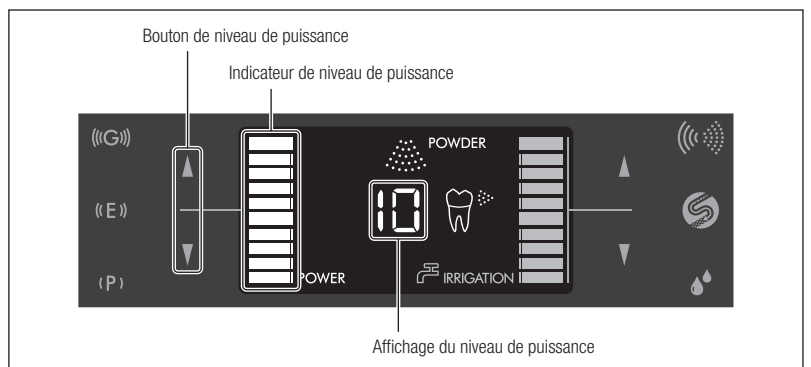


Fig. 30

8-5 Réglage de l'irrigation

- 1) Appuyez sur les boutons de volume d'irrigation (▲/▼) pour régler le volume d'irrigation.
- 2) Appuyez sur la pédale afin de pulvériser de la poudre dans un crachoir, etc. et de vérifier que la poudre, l'air et l'eau sont correctement vaporisés.
- 3) Réglez le volume d'irrigation en vérifiant l'irrigation au niveau de l'embout.

REMARQUE • Si le volume d'irrigation est trop bas alors qu'il est réglé sur 10 ou trop élevé alors qu'il est réglé sur 1, ajustez le niveau d'irrigation de base. Reportez-vous à « 11-3 Réglage du niveau d'eau de base » pour plus de détails.

- Si vous effectuez ce réglage sans fixer la chambre, le volume d'irrigation sera réglé lors de l'utilisation du mode prophylactique.

8-6 Fonctionnement

L'alimentation en poudre, en eau et en air s'effectue quand le bouton D de la pédale est enfoncé. L'alimentation en eau et en air s'effectue quand le bouton B de la pédale est enfoncé. Suivez les instructions d'utilisation expliquées dans « 8-6-1 Utilisation du mode prophylactique » et « 8-6-2 Utilisation du mode parodontal ».

AVERTISSEMENT



- Ne vaporisez jamais de poudre en direction d'un corps humain, opérateur et assistant compris, mais uniquement à la surface des dents.
- Cessez immédiatement le fonctionnement si le tuyau se gonfle ou si de l'air ou de la poudre fuient des raccords entre la chambre et le tuyau en cours d'utilisation.
- Vaporisez de l'eau pendant que vous utilisez ce produit.
- Veillez à utiliser un tube d'aspiration (associé à un tube d'aspiration salivaire si nécessaire) pour éviter que le patient n'ingère une grande quantité de poudre. Évitez une utilisation en continu sur de longues périodes et permettez au patient de se rincer la bouche autant de fois que nécessaire.

ATTENTION



- Par mesure de sécurité, ce produit ne s'allume pas quand l'interrupteur d'alimentation est placé sous tension alors que la pédale est enfoncée. Une alarme sonore retentit et les icônes dent et « POWDER » clignotent en alternance. Relâchez la pédale puis enfoncez-la de nouveau.
- Avant le traitement, réglez les niveaux de puissance et d'irrigation en préalable à l'utilisation sur le patient.
- Réduisez le niveau de puissance lorsque vous traitez la région autour de la gencive marginale.
- Ne pulvérisez pas à la verticale de la surface des dents.
- Maintenez la distance entre l'extrémité de l'embout de la pièce à main et la surface des dents, comme il est expliqué dans « 8-6-1 Utilisation du mode prophylactique » et « 8-6-2 Utilisation du mode parodontal ».
- Ne forcez pas la rotation du support de la pièce à main, car cela peut l'endommager.

REMARQUE • Un bourdonnement peut se faire entendre mais cela n'indique pas un dysfonctionnement.



8-6-1 Utilisation du mode prophylactique

Maintenez l'embout à une distance de 3 à 5 mm de la surface de la dent et à un angle compris entre 10 et 60 degrés (Fig. 31).

AVERTISSEMENT



- Ne le dirigez jamais vers les tissus mous, la gencive ou la région subgingivale.

ATTENTION



- Vaporisez de la racine vers le bord incisif de la dent.



8-6-2 Utilisation du mode parodontal

■ Utilisation avec insert

Introduisez l'insert dans la poche parodontale à une profondeur supérieure à 3 mm (Fig. 32).

Il se peut que la poudre ne soit pas pulvérisée efficacement dans la poche parodontale si la profondeur est inférieure à 3 mm.

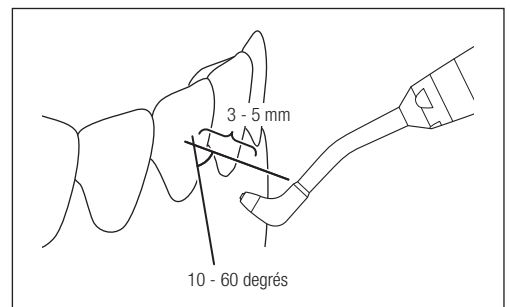


Fig. 31

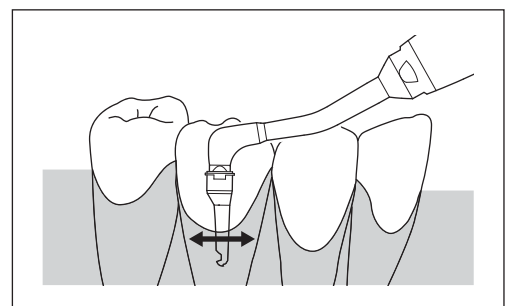


Fig. 32

■ Utilisation sans insert

Retirez l'insert de l'embout de la pièce à main pour éliminer la plaque dentaire dans la région supragingivale et sur la gencive marginale ou le biofilm et les taches superficielles. Maintenez l'embout à une distance de 5 à 10 mm de la surface de la dent et à un angle compris entre 30 et 60 degrés (Fig. 33). Ne dirigez jamais l'embout directement vers la muqueuse buccale ou dans les poches parodontales.

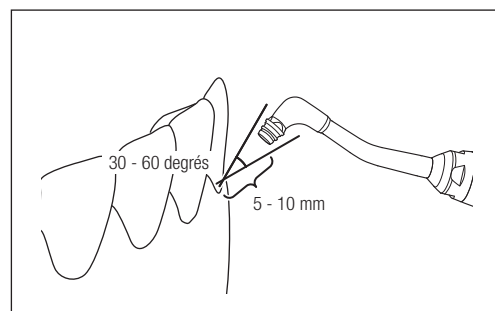


Fig. 33

AVERTISSEMENT

- Lorsque vous l'utilisez sans insert, ne le dirigez jamais vers la muqueuse buccale.
- N'utilisez pas ce produit dans une zone immédiatement après que la surface de la dent y a été détartrée dans une poche parodontale. Procéder ainsi peut provoquer une bactériémie.
- N'introduisez pas l'insert plus d'une fois dans la même poche parodontale au cours d'un même traitement.
- La poudre peut être pulvérisée pendant une durée maximale de 5 secondes dans une même poche parodontale (20 secondes au maximum pour une même dent). Ne pulvérisiez jamais de poudre plus longtemps que la durée spécifiée.
- Ne forcez pas l'introduction de l'insert dans une poche parodontale.
- Ne pulvérisiez pas de poudre lorsque l'extrémité de l'insert se situe au fond d'une poche parodontale. Procéder ainsi peut provoquer un emphysème.
- N'utilisez pas l'insert dans d'autres régions que les poches parodontales.
- Un niveau de puissance trop élevé peut provoquer un emphysème. Réglez la puissance à un niveau adapté tout en vérifiant l'état du patient.

ATTENTION

- L'alarme sonore retentit toutes les 5 secondes lorsque vous utilisez le mode parodontal.
- En mode parodontal, le niveau de puissance est automatiquement réduit par rapport à un réglage comparable pour le mode prophylactique.

8-6-3 Pendant le fonctionnement de la pièce à main

Vous pouvez : Régler le niveau de puissance et le volume d'eau

Vous ne pouvez pas : Modifier les paramètres du mode d'irrigation ou effectuer un autonettoyage

8-6-4 Libération de la pression résiduelle

Le capuchon de la chambre ne peut pas être ouvert après utilisation du fait de l'augmentation de la pression d'air à l'intérieur de la chambre pendant l'utilisation. Relâchez la pression résiduelle dans la chambre avant d'y verser de la poudre ou de retirer la chambre du boîtier de contrôle.

ATTENTION

- La poudre et l'eau restantes sortent de la pièce à main lorsque vous relâchez la pression résiduelle. Préparez un récipient, un gobelet par exemple, pour récupérer la poudre et l'eau.

- 1) Retirez la pièce à main à poudre du support de pièce à main.
- 2) Placez la pièce à main dans le récipient pour récupérer la poudre et l'eau.
- 3) Appuyez sur le bouton d'autonettoyage et maintenez-le enfoncé pendant environ 1 seconde. Des bips retentissent et la pression résiduelle commence à être relâchée.
- 4 L'opération est terminée quand toute la pression résiduelle accumulée dans la chambre est libérée.

8-7 Après le traitement

Procédez à l'entretien après chaque utilisation sur un patient. Reportez-vous à « 9 Entretien » pour plus de détails.

Si un insert (option) est fixé à l'embout, retirez-le et mettez-le au rebut avant d'effectuer l'entretien.

ATTENTION

- L'absence d'entretien peut provoquer un dysfonctionnement.

REMARQUE • Les réglages concernant le niveau de puissance et le mode d'irrigation sont sauvegardés après la mise hors tension (fonction dernière sauvegarde).

9 Entretien

Procédez à l'entretien suivant après chaque utilisation sur un patient.



- L'absence d'entretien peut provoquer un dysfonctionnement.

ATTENTION



9-1 Pièce à main à ultrasons

9-1-1 Autonettoyage



- De l'eau sort de la pièce à main pendant l'autonettoyage. Procédez au nettoyage après avoir placé la pièce à main dans un gobelet.

ATTENTION

- 1) Retirez la pièce à main à ultrasons du support de pièce à main, puis retirez l'insert de la pièce à main.
- 2) Retirez la bouteille d'irrigation et nettoyez-en l'intérieur à l'eau courante. Lorsque le mode d'irrigation est réglé sur eau du robinet, ouvrez la vanne d'alimentation en eau de la source d'irrigation.
- 3) Remplissez la bouteille d'irrigation à plus de la moitié avec de l'eau distillée ou purifiée. (N'utilisez pas de solution saline).
- 4) Fermez bien le capuchon.
- 5) Insérez la bouteille bien droit sur le connecteur de base de la bouteille d'irrigation. Une fuite d'eau peut se produire si la bouteille n'est pas insérée fermement.
- 6) Placez l'insert de la pièce à main dans le récipient pour récupérer l'eau.
- 7) Appuyez sur le bouton d'autonettoyage et maintenez-le enfoncé pendant environ 3 secondes pour démarrer l'autonettoyage. L'autonettoyage dure environ 45 secondes. Pendant l'autonettoyage, « AC » apparaît sur l'écran LCD et le temps restant approximatif est matérialisé par l'affichage en barres (Fig. 34).
- 8) Lorsque l'autonettoyage est terminé, le boîtier de contrôle retrouve les réglages antérieurs au nettoyage.
- 9) Retirez la bouteille d'irrigation. Lavez la bouteille d'irrigation et le capuchon à l'eau courante et laissez-les sécher.

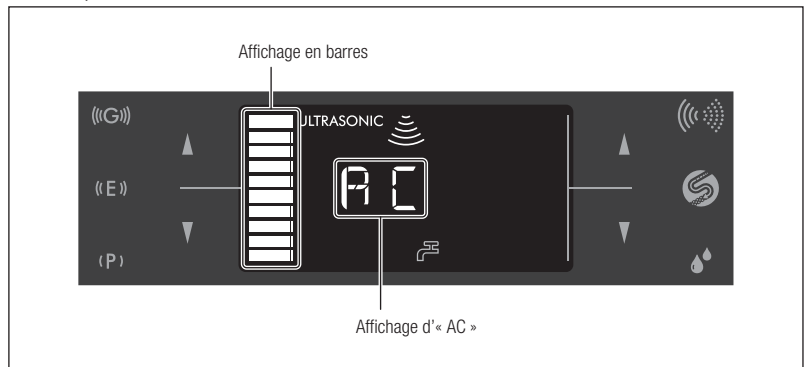


Fig. 34

Pour arrêter l'autonettoyage, appuyez de nouveau sur le bouton d'autonettoyage.



ATTENTION

- Après chaque utilisation, procédez à un autonettoyage (nettoyage du tube d'irrigation). Si le système n'est pas nettoyé, l'intérieur du tube d'irrigation peut s'engorger ou des parties métalliques peuvent s'oxyder.
- Utilisez de l'eau distillée ou purifiée pour remplir la bouteille d'irrigation. L'utilisation d'eau impure peut provoquer une obstruction du tube d'irrigation.
- Assurez-vous que la pièce à main et le cordon de la pièce à main sont fermement fixés.

REMARQUE • Pendant l'autonettoyage, la LED de la pièce à main ne s'allume pas.

9-1-2 Nettoyage de la pièce à main

- 1) Éliminez tous les débris présents sur le produit. N'utilisez PAS de brosse métallique.
- 2) Essuyez avec un tissu imbibé d'éthanol, ou d'éthanol avec de l'alcool isopropylique.



Cette icône indique que le produit peut être lavé en thermodésinfecteur.

Utilisation confirmée uniquement avec le modèle GETINGE WD46-4.

Référez-vous au manuel du thermodésinfecteur.



ATTENTION

- Veillez à ne pas faire subir de choc à l'extrémité de la pièce à main durant le lavage car cela peut endommager le barreau de quartz.
- Après nettoyage au thermodésinfecteur, séchez soigneusement la pièce à main et éliminez l'eau qui s'est introduite à l'intérieur.
- N'utilisez jamais de solvants tels que l'essence et les diluants pour le nettoyage.
- Lors du nettoyage, utilisez de l'éthanol ou de l'éthanol avec de l'alcool isopropylique pour essuyer la surface de la pièce à main. L'utilisation de produits chimiques autres que ceux mentionnés peut entraîner la décoloration, la fissuration, etc. de la pièce à main.

9-1-3 Nettoyage (barreau de quartz)

Nettoyez l'extrémité du barreau de quartz avec un coton-tige imbibé d'alcool. Retirez tous les débris (Fig. 35).

ATTENTION

- N'utilisez PAS d'outil pointu pour nettoyer le barreau de quartz. Procéder ainsi peut endommager le verre et réduire la transmission de la lumière.

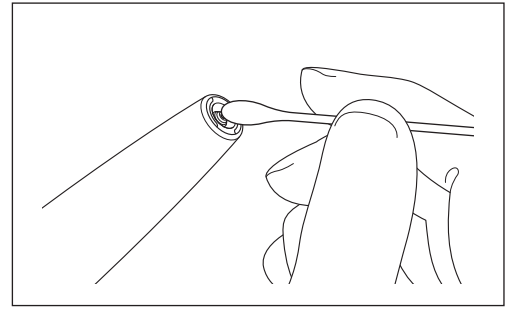


Fig. 35

9-1-4 Nettoyage du cordon de la pièce à main

Retirez la pièce à main après chaque utilisation sur un patient et nettoyez-la comme indiqué ci-dessous.

- 1) Essuyez la surface du cordon de la pièce à main avec un tissu imbibé d'une solution fongicide, bactéricide et virucide.
- 2) Essuyez avec précaution la fiche de connexion du cordon de la pièce à main avec un coton-tige imbibé d'alcool. S'il vous est difficile d'utiliser un coton-tige, essuyez avec précaution avec une lingette enroulée autour d'un objet fin en forme de bâton.

ATTENTION

- N'utilisez pas un bâton pointu ou ne poussez pas la partie terminale lorsque vous nettoyez la fiche de connexion du cordon de la pièce à main. Cela peut causer des dommages, entraînant une défaillance du contact (Fig. 36).

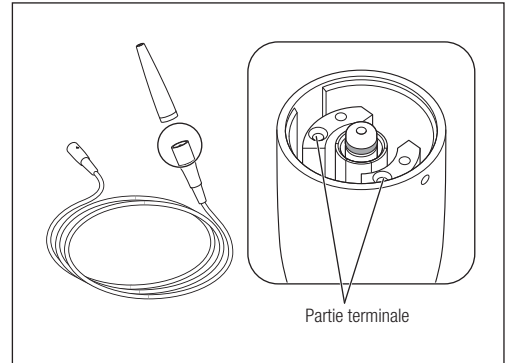


Fig. 36



9-2 Pièce à main à poudre

9-2-1 Autonettoyage

ATTENTION

- De l'eau sort de la pièce à main pendant l'autonettoyage. Procédez au nettoyage après avoir placé la pièce à main dans un gobelet.

- 1) Retirez la pièce à main à poudre du support de pièce à main. Pour la pièce à main à poudre (pour une utilisation parodontale) retirez l'insert de la pièce à main.
- 2) Placez l'insert de la pièce à main dans le récipient pour récupérer l'eau.
- 3) Appuyez sur le bouton d'autonettoyage et maintenez-le enfoncé pendant environ 3 secondes pour démarrer l'autonettoyage.
- 4) De l'eau et de l'air sont d'abord vaporisés pour rincer la poudre résiduelle.
- 5) Après un instant, seule de l'eau est vaporisée pour libérer l'eau restante.
- 6) L'autonettoyage dure environ 45 secondes. Pendant l'autonettoyage, « AC » apparaît sur l'écran LCD et le temps restant approximatif est matérialisé par l'affichage en barres (Fig. 37).
- 7) Lorsque l'autonettoyage est achevé, le boîtier de contrôle retrouve les réglages antérieurs au nettoyage.

Pour arrêter l'autonettoyage, appuyez de nouveau sur le bouton d'autonettoyage.

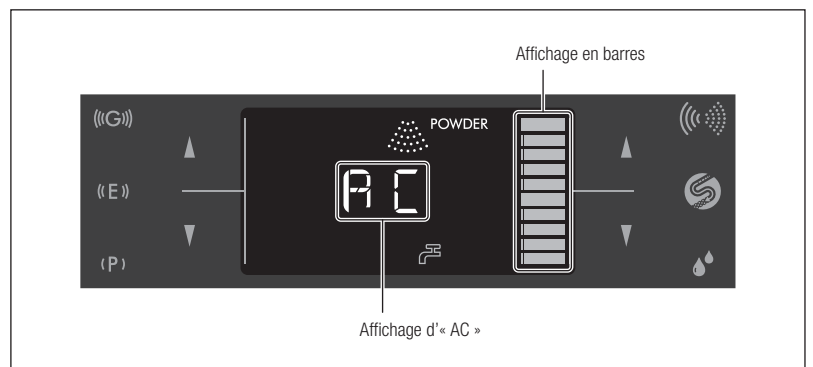


Fig. 37

9-2-2 Nettoyage (pièce à main)

- 1) Retirez la pièce à main du tuyau.
- 2) Éliminez les saletés et les débris présents sur le produit. N'utilisez PAS de brosse métallique.
- 3) Utilisez la brosse de nettoyage fournie pour éliminer la poudre de la partie interne de la zone où la pièce à main était branchée (Fig. 38).
- 4) Essuyez à l'aide d'un tissu imbibé d'alcool.

 Cette icône indique que le produit peut être lavé en thermodésinfecteur.

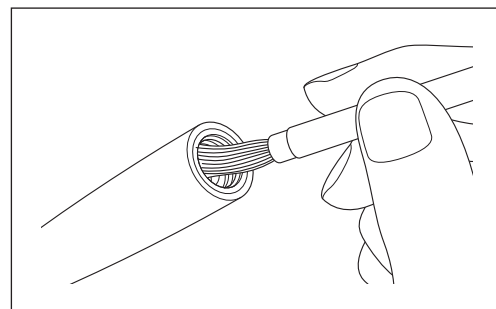


Fig. 38

Utilisation confirmée uniquement avec le modèle GETINGE WD46-4.
Référez-vous au manuel du thermodésinfecteur.

AVERTISSEMENT

- Veillez à nettoyer l'intérieur de la pièce à main après chaque utilisation. La poudre restant dans la pièce à main peut s'agglomérer et provoquer une obstruction.

ATTENTION

- Après lavage en thermodésinfecteur, séchez le produit jusqu'à ce que toute l'humidité interne ait été éliminée.
- N'utilisez jamais de solvants tels que l'essence et les diluants pour nettoyer le produit.

9-2-3 Nettoyage par ultrasons

ATTENTION

- Veillez à procéder au nettoyage par ultrasons au moins une fois par semaine pour éviter l'agglomération de la poudre. Effectuez le nettoyage par ultrasons avant l'autonettoyage ou après avoir essayé les mesures correctives décrites dans « 14 Dépannage ».

- 1) Faites passer l'embout à l'intérieur de la clé dynamométrique anneau fournie, desserrez-le et retirez-le de la pièce à main (Fig. 39).
- 2) Effectuez un nettoyage par ultrasons avec de l'eau chaude (30 à 50 °C) sur la pièce à main et l'embout.
- 3) Après nettoyage, utilisez de l'air pour faire sécher tous les composants.
- 4) Réinstallez la pièce à main en reprenant la procédure à partir de l'étape 1.
- 5) Branchez la pièce à main et le tuyau et procédez au nettoyage automatique.

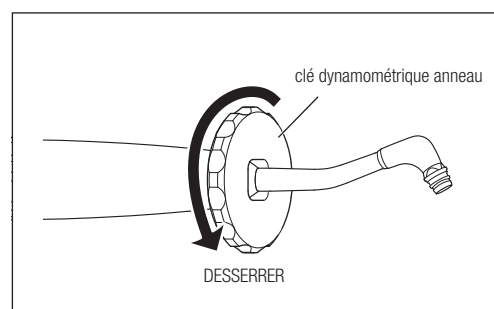


Fig. 39

ATTENTION

- Lorsque vous fixez l'embout, vissez-le d'abord légèrement à la pièce à main à la main, puis serrez-le fermement avec la clé dynamométrique anneau fournie.
- Après le nettoyage par ultrasons, effectuez l'autonettoyage en éliminant toute l'eau résiduelle de l'intérieur et faites suffisamment sécher les composants avant utilisation.
- Pour éviter une déformation de l'embout, utilisez toujours la clé dynamométrique anneau fournie lorsque vous le fixez ou le retirez. La Buse peut se déformer si vous la vissez en la tenant par l'extrémité.
- La pièce à main à ultrasons ne peut pas être nettoyée par une procédure de nettoyage par ultrasons.

9-3 Stérilisation

Ce produit doit être passé en autoclave. La stérilisation par autoclave est nécessaire après utilisation sur un patient comme indiqué ci-dessous.

Éléments pouvant être passés en autoclave : Insert à ultrasons, pièce à main à ultrasons, pièce à main à poudre (pour utilisation prophylactique), pièce à main à poudre (pour utilisation parodontale, option), clé dynamométrique (CR-10), boîtier de stérilisation, extracteur d'insert Perio-Mate (option).

- 1) Insérez les pièces dans un sachet pour autoclave. Scellez le sachet.
- 2) Stérilisez en autoclave dans les conditions ci-dessous.
Pendant plus de 20 minutes à 121 °C, 15 minutes à 132 °C ou 3 minutes à 134 °C.
- 3) Maintenez les pièces dans le sachet pour autoclave pour conserver leur stérilité jusqu'au moment de leur utilisation.

■ Boîtier de stérilisation

La pièce à main à ultrasons, l'insert à ultrasons et la clé dynamométrique (CR-10) peuvent être stérilisés ensemble à l'aide d'un boîtier de stérilisation. Quatre clés dynamométriques et inserts peuvent être stérilisés à la fois (Fig. 40).

- 1) Retirez l'insert après utilisation. (Reportez-vous à « 7-2 Installation de l'insert ».)
L'insert est placé à l'intérieur de la clé dynamométrique (CR-10).
- 2) Placez la clé dynamométrique (CR-10) et l'insert qui y est fixé dans le boîtier de stérilisation.
- 3) Placez la pièce à main à ultrasons dans le boîtier de stérilisation.

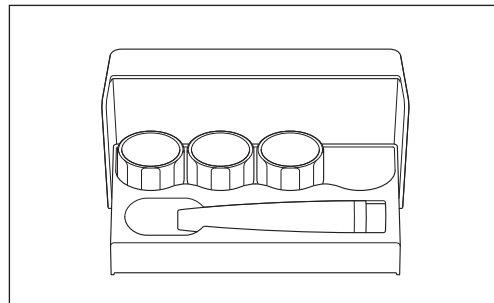


Fig. 40

ATTENTION

- Le boîtier de stérilisation ne peut pas être utilisé pour la pièce à main à poudre.
- Ne stérilisez pas le produit en autoclave avec d'autres instruments, même s'il se trouve dans un sachet. Il pourrait en résulter une décoloration et des dommages au produit en raison de résidus chimiques sur d'autres instruments.
- Le produit doit être conservé à une pression atmosphérique, une température, une humidité, une ventilation et une lumière du soleil adéquates. L'air fourni doit être exempt de poussières, de sel et de soufre.
- Si la température de la chambre de stérilisation est susceptible de dépasser 135 °C pendant le cycle sec, supprimez le cycle de séchage.
- La stérilisation en autoclave est recommandée pour ce produit. La validité d'autres méthodes de stérilisation n'est pas confirmée.
- N'effectuez pas de stérilisation en autoclave du cordon de la pièce à main ou du joint. Désinfectez le cordon de la pièce à main avec un tissu imbibé d'alcool après chaque patient.
- N'essuyez pas, ne nettoyez pas ou n'immergez pas le produit dans de l'eau fortement acide ou des solutions de stérilisation.

REMARQUE

- NSK recommande des stérilisateur de classe B, comme spécifié par l'EN13060.
- En raison de la chaleur, la stérilisation par autoclave répétée peut entraîner la décoloration de la pièce à main ultrasonique. Cependant, ceci est dû aux propriétés du produit et n'est pas un problème lié à la qualité.

9-4 Nettoyage de la chambre et du tuyau

- 1) Effectuez l'autonettoyage avant le nettoyage de la chambre pour retirer la poudre et l'eau résiduels de l'intérieur de la pièce à main et du tuyau de la pièce à main.
- 2) Relâchez la pression résiduelle dans la chambre. (Reportez-vous à « 8-6-4 Libération de la pression résiduelle ».)
- 3) Appuyez sur le bouton de verrouillage pour retirer la chambre. Soulevez ensuite la chambre en la maintenant droite (Fig. 41).
- 4) Ouvrez le capuchon de la chambre et retirez la poudre résiduelle.
- 5) Desserrez l'écrou du raccord de tuyau de la pièce à main et retirez le tuyau de la chambre.
- 6) Éliminez la poudre résiduelle de la chambre en utilisant de l'air, etc.
- 7) Essuyez le tuyau pour éliminer la poudre, etc.
- 8) Utilisez la brosse de nettoyage fournie pour éliminer la poudre des raccords aux deux extrémités du tuyau de la pièce à main ainsi qu'au niveau de la prise destinée au tuyau de la pièce à main sur la chambre.

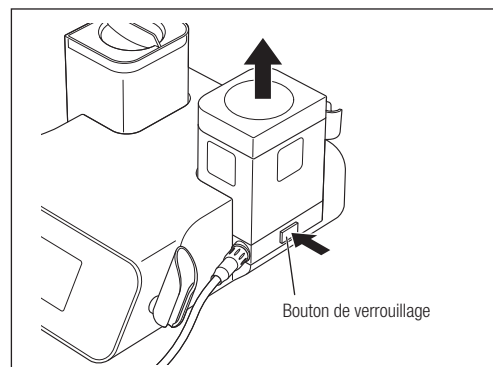


Fig. 41

AVERTISSEMENT



- Les solutions médicales, les solvants, etc. qui adhèrent à la chambre ou au capuchon de la chambre peuvent provoquer des dommages.
- Veillez à nettoyer la chambre après chaque utilisation. La poudre restant dans la chambre peut s'agglomérer et provoquer une obstruction.
- N'utilisez jamais de capuchon de la chambre présentant des fissures ou des éraflures. L'utiliser dans cet état peut provoquer des dommages ou des blessures du fait de parties cassées.

ATTENTION



- Si une panne survient dans la chambre, veillez à contacter votre distributeur NSK agréé pour procéder aux réparations.
- Après utilisation, éliminez avec précaution la poudre de l'intérieur de la chambre et nettoyez la chambre avant de la ranger.
- Ne lavez pas la chambre. Procéder ainsi peut entraîner une agglomération de la poudre et une obstruction.
- Effectuez l'opération indiquée dans « 8-6-4 Libération de la pression résiduelle » avant de retirer la chambre. Si vous ne le faites pas, le capuchon de la chambre ne peut pas s'ouvrir et celui-ci risque d'être expulsé si vous essayez de forcer l'ouverture.

■ Déblocage du bouton de verrouillage

Si la chambre ne peut pas être retirée parce que le bouton de verrouillage ne peut pas être enfoncé, effectuez l'opération suivante pour débloquent le bouton de verrouillage et retirez la chambre puis contactez votre distributeur NSK agréé.

- 1) Insérez l'outil de déverrouillage dans l'orifice à la base du boîtier de contrôle et enfoncez-le à fond. (Fig. 42)

Le bouton de verrouillage est débloquent.

- 2) Retirez l'outil de déverrouillage.
- 3) Appuyez sur le bouton de verrouillage pour retirer la chambre.
Si le bouton de verrouillage n'est toujours pas débloquent, contactez votre distributeur NSK agréé.

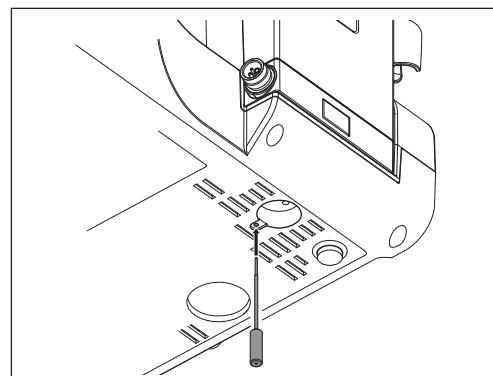


Fig. 42

ATTENTION



- Ne retournez pas le boîtier de contrôle lors du déblocage du bouton de verrouillage. Ne pas procéder ainsi peut provoquer une obstruction de poudre.
- N'entortillez pas l'outil de déverrouillage lorsque vous l'insérez.

9-5 Nettoyage du boîtier de contrôle et de la pédale

- 1) Mettez le produit hors tension.
- 2) Débranchez le cordon d'alimentation CA de la prise murale.
- 3) Éliminez les saletés et la poudre à l'aide d'un tissu humide, puis essuyez la surface avec un tissu imbibé d'alcool.

ATTENTION

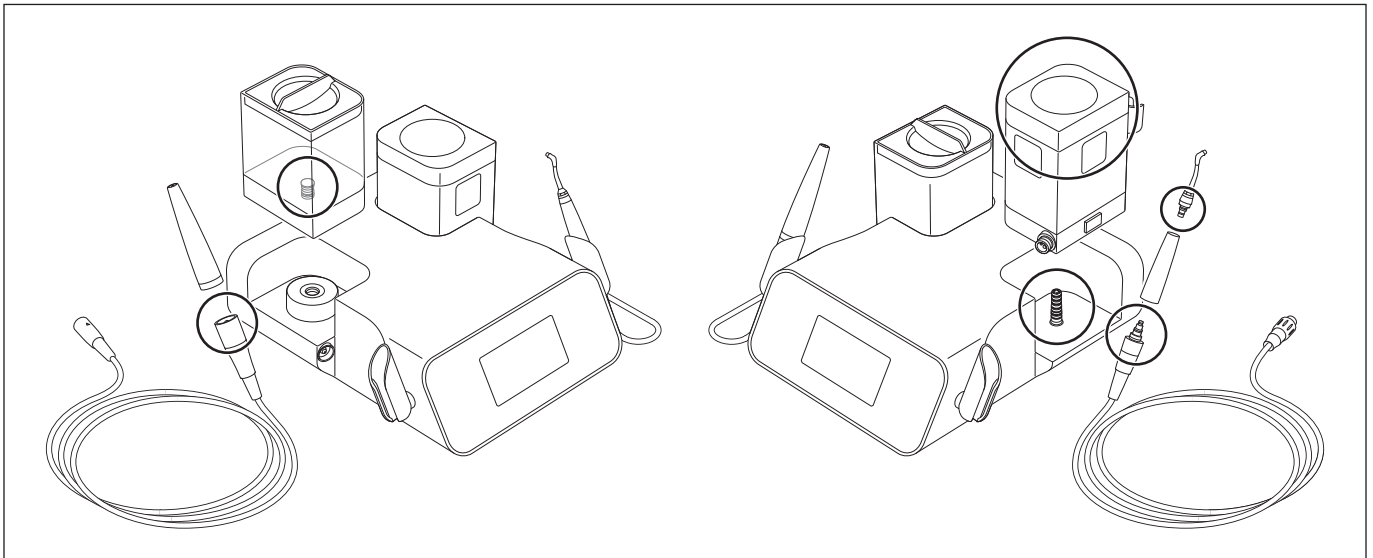


- N'utilisez jamais de solvants tels que l'essence ou les diluants pour le nettoyage.

10 Suivi et entretien

10-1 Remplacement des joints

Remplacez les joints lorsque vous observez des symptômes tels que des fuites d'eau ou d'air.



ULTRASONIC

10-1-1 Cordon de la pièce à main

- 1) Retirez le cordon de la pièce à main du boîtier de contrôle.
 - 2) Retirez le joint à remplacer à l'aide d'une aiguille, etc. (Fig. 43).
 - 3) Placez le nouveau joint sur les rainures où était placé l'ancien joint.
- * Reportez-vous à « 21 Liste des pièces de rechange » pour plus de détails sur les joints de rechange.
Référence : Y1003546

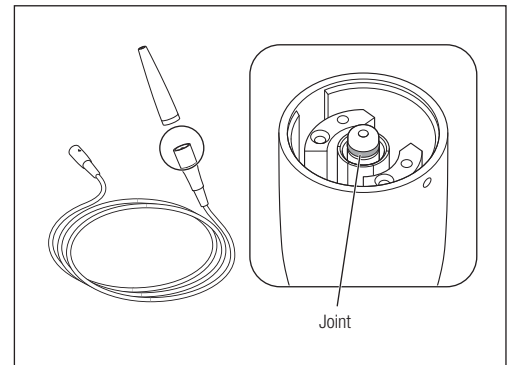


Fig. 43

POWDER **PROPHY** POWDER **PERIO**

10-1-2 Tuyau de la pièce à main (pour utilisation prophylactique ou parodontale)

- 1) Retirez le tuyau de la pièce à main à poudre et de la chambre.
 - 2) Retirez les joints de la fiche de connexion du tuyau de la pièce à main à l'aide d'une aiguille, etc. Si de la poudre est présente sur les rainures du joint, nettoyez-les avant d'y placer un nouveau joint.
 - 3) Placez les nouveaux joints sur les rainures où étaient placés les anciens joints.
 - 4) Appliquez une goutte de l'huile pour turbine fournie et étalez-la avec le doigt (Fig. 44).
- * Reportez-vous à « 21 Liste des pièces de rechange » pour plus de détails sur les joints de rechange.
Référence : Y1003500

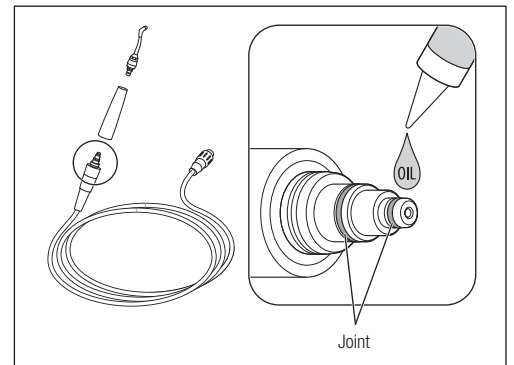


Fig. 44

ATTENTION

- L'absence de lubrification du joint du côté de la pièce à main peut endommager le raccord et rendre difficile la rotation du raccordement de la pièce à main. Cela peut aussi provoquer une fuite d'eau.

10-1-3 Embout (pour utilisation prophylactique ou parodontale)

- 1) Faites passer l'embout à l'intérieur de la clé dynamométrique anneau fournie, desserrez-le et retirez-le de la pièce à main.
 - 2) Retirez les joints de la base de l'embout à l'aide d'une aiguille, etc. (Fig. 45). S'il y a de la poudre dans les rainures du joint, nettoyez-les avant d'insérer le nouveau joint.
 - 3) Placez les nouveaux joints sur les rainures où étaient placés les anciens joints.
- * Reportez-vous à « 21 Liste des pièces de rechange » pour plus de détails sur les joints de rechange.
Référence : Y1003501

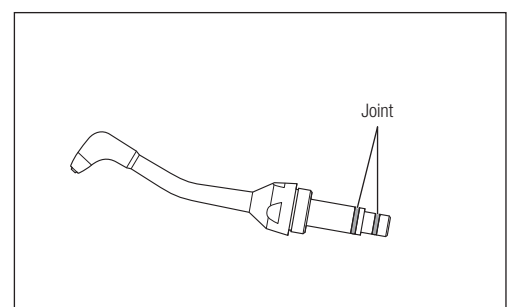


Fig. 45

10-1-4 Bouteille d'irrigation

- 1) Retirez les joints du joint de la bouteille d'irrigation à l'aide d'une aiguille, etc.
 - 2) Placez les nouveaux joints sur les rainures où étaient placés les anciens joints.
- * Reportez-vous à « 21 Liste des pièces de rechange » pour plus de détails sur les joints de rechange.
Référence : Y1003544

ATTENTION

- Les joints présentent des épaisseurs différentes. Assurez vous de les disposer sur l'emplacement correct (Fig. 46).

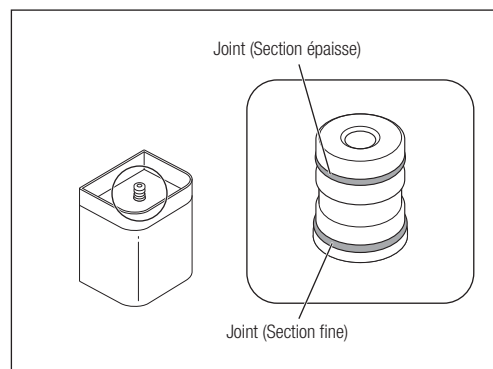


Fig. 46

10-1-5 Connecteur de base de la chambre

- 1) Retirez les joints du connecteur de base de la chambre à l'aide d'une aiguille, etc. (Fig. 47).
 - 2) Placez les nouveaux joints sur les rainures où étaient placés les anciens joints.
- * Reportez-vous à « 21 Liste des pièces de rechange » pour plus de détails sur les joints de rechange.
Référence : Y1003435

ATTENTION

- Étant donné que la taille des joints diffère, veillez à les remettre à l'emplacement correct (Fig. 47).

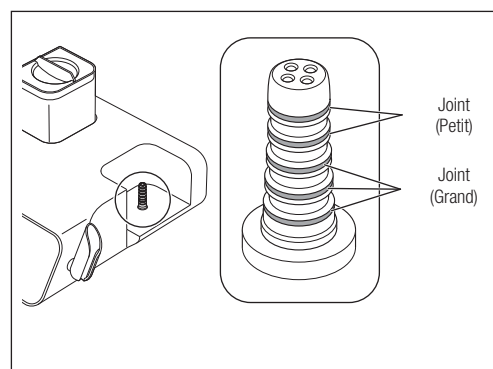


Fig. 47

10-1-6 Capuchon de la chambre

- 1) Retirez le capuchon de la chambre.
 - 2) Retirez le joint de l'intérieur du capuchon de la chambre à l'aide d'une aiguille, etc. (Fig. 48).
 - 3) Placez le nouveau joint sur les rainures où était placé l'ancien joint.
- Référence : Y1003545

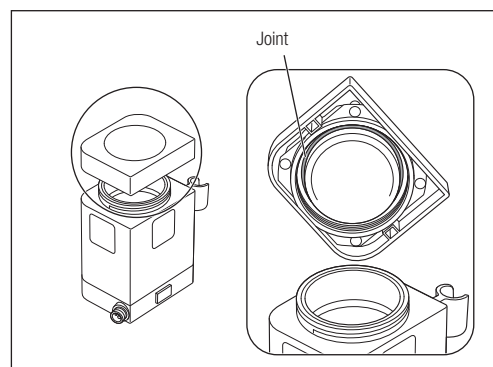


Fig. 48

10-2 Remplacement de la pompe d'irrigation

- 1) Retirez la bouteille d'irrigation, la chambre, le cordon d'alimentation, le cordon de la pièce à main et la pédale du boîtier de contrôle.
- 2) Retournez le boîtier de contrôle. Utilisez un tournevis cruciforme pour retirer la vis du couvercle de la pompe d'irrigation, puis retirez le couvercle. (Fig. 49).
- 3) Retirez les deux tubes d'irrigation du boîtier de contrôle (Fig. 50).
- 4) Enlevez le joint du connecteur du tube d'irrigation. Ne le jetez pas. Vous pouvez utiliser ce joint sur la pompe d'irrigation de rechange (Fig. 51).
- 5) Tournez la pompe d'irrigation dans le sens inverse des aiguilles d'une montre jusqu'à ce qu'un déclic se produise et retirez-la (Fig. 52).
- 6) Installez les joints de connecteur sur les tubes d'irrigation de la nouvelle pompe d'irrigation (option). Assurez-vous que le joint est correctement orienté (Fig. 53).
- 7) Insérez la nouvelle pompe d'irrigation (option) sur l'arbre d'entraînement. Tournez-la dans le sens des aiguilles d'une montre jusqu'à ce qu'un déclic se produise (Fig. 54).
- 8) Installez le tube d'irrigation en suivant à rebours la procédure de retrait. Appuyez fermement sur le joint du connecteur dans le boîtier de contrôle jusqu'à ce qu'il soit totalement en place (Fig. 50).
- 9) Alignez le crochet du couvercle de la pompe d'irrigation et le trou sur le boîtier de contrôle. Installez le couvercle.

* Pour plus de détails sur la pompe d'irrigation en option, référez-vous à « 21 Liste des pièces de rechange ».

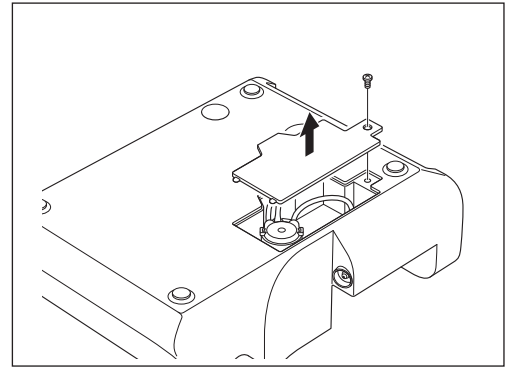


Fig. 49

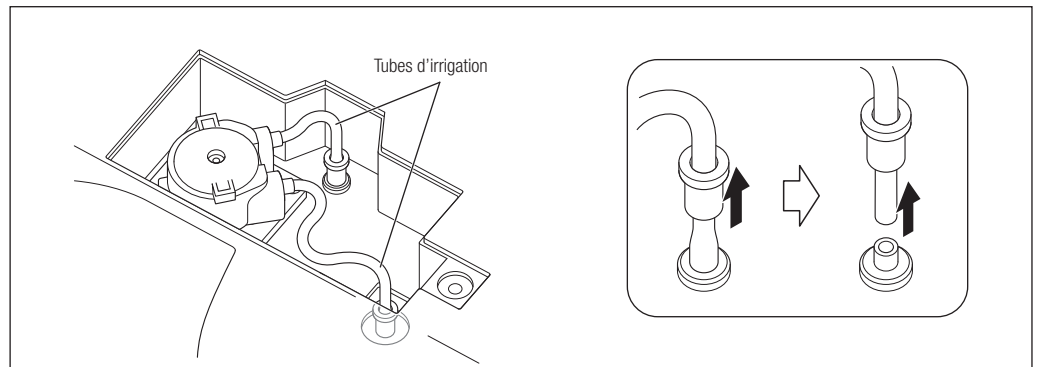


Fig. 50

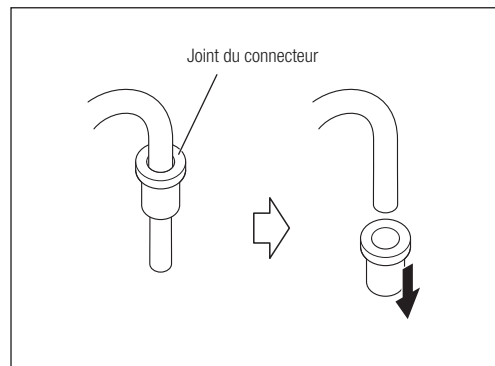


Fig. 51

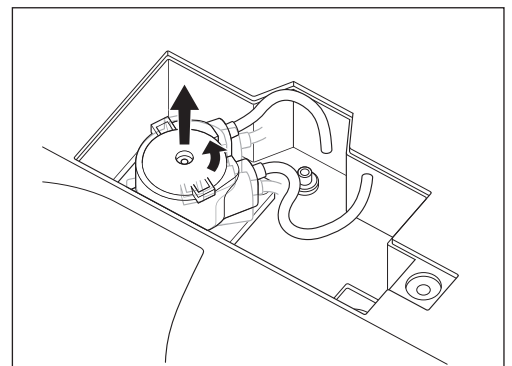


Fig. 52

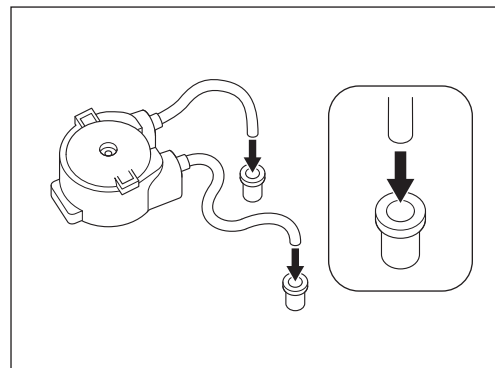


Fig. 53

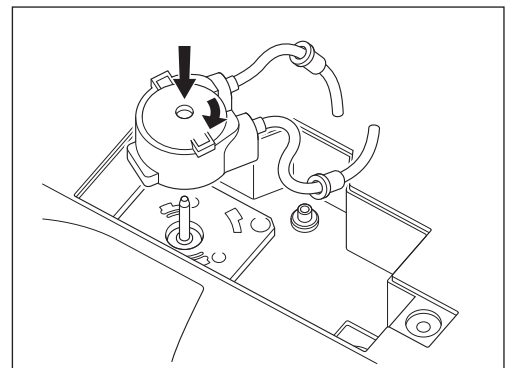


Fig. 54

ATTENTION

- Avant de remplacer la pompe d'irrigation, essuyez l'excès d'eau sur la pompe et l'arbre d'entraînement. Un arbre d'entraînement et des rouleaux humides peuvent être glissants et provoquer un défaut de fonctionnement.
- Essuyez les saletés et l'eau de l'arbre d'entraînement en allant du bas vers le haut (Fig. 55).
- Insérez la pompe d'irrigation bien droit sur l'arbre d'entraînement, lentement et délicatement de manière à éviter d'endommager les rouleaux de la pompe.
- Une fois la pompe d'irrigation remplacée, faites fonctionner ce produit pendant environ 10 secondes avec le mode d'irrigation réglé sur bouteille et le volume d'irrigation réglé au maximum de sorte que le tube d'irrigation s'adapte à la nouvelle pompe.
- Assurez-vous que le tube d'irrigation ne soit ni entortillé, ni tordu. Si le tube est disposé de façon incorrecte, l'alimentation en eau d'irrigation peut être compromise.
- Assurez-vous que le tube n'est pas coincé sous le couvercle lorsque vous refermez le couvercle de la pompe d'irrigation.
- Utilisez exclusivement une pompe d'irrigation destinée aux modèles Varios Combi Pro. Les autres pompes ne peuvent pas être utilisées.

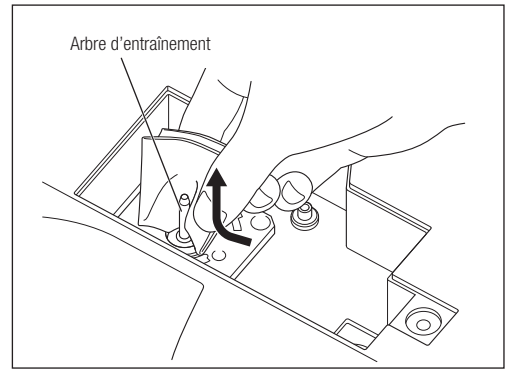


Fig. 55

- REMARQUE**
- Nettoyez périodiquement l'arbre d'entraînement avec un tissu imbibé d'alcool. Des débris sur l'arbre d'entraînement peuvent compromettre le bon fonctionnement de la pompe.
 - La pompe est un élément d'usure. Si le volume d'irrigation baisse de manière significative, remplacez la pompe.

10-3 Remplacement du filtre à eau

Si vous utilisez de l'eau du robinet, changez le filtre à eau une fois par an. S'il vous semble que le volume d'eau a diminué, remplacez le filtre à eau avant que l'année ne se soit écoulée.

- 1) Fermez la vanne d'alimentation en eau de l'unité dentaire.
- 2) Disposez le boîtier de contrôle sur un tissu, etc. en cas de fuite d'eau.
- 3) Utilisez deux clés pour écrou (5 x 8) et tournez-les dans le sens indiqué sur la Fig. 56.
- 4) Retirez le boîtier du filtre à eau et enlevez le filtre à eau.
- 5) Placez le nouveau filtre à eau avec le joint du côté du Varios Combi Pro et réinstallez-le en suivant à rebours la procédure de démontage (Fig. 57).

* Reportez-vous à « 21 Liste des pièces de rechange » pour plus de détails sur le filtre à eau en option.

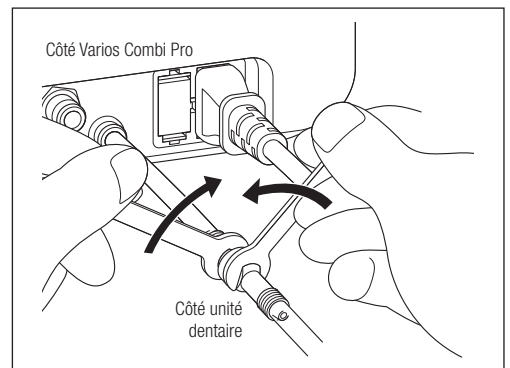


Fig. 56

ATTENTION

- Veillez à ce que l'orientation du filtre à eau soit correcte. Sinon, le filtre ne fonctionnera pas efficacement.

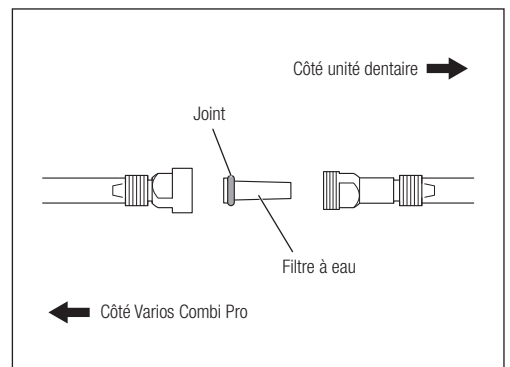


Fig. 57

10-4 Vérification du filtre à air

Lorsque vous observez des symptômes tels qu'un niveau de puissance réduit ou des engorgements fréquents dus à la poudre, purgez l'eau en appuyant sur l'extrémité du filtre à air placée sur la face inférieure du boîtier de contrôle (Fig. 58).

Si un niveau de puissance satisfaisant ne peut pas être atteint du fait d'une utilisation prolongée, il se peut que l'élément Varios Combi Pro soit obstrué. Si cela se produit, contactez votre distributeur NSK agréé.

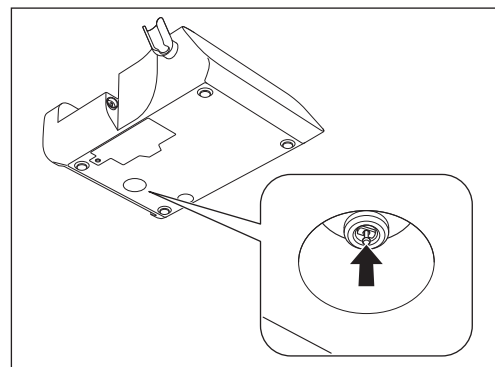


Fig. 58

10-5 Remplacement du fusible.

- 1) Mettez l'interrupteur principal hors tension.
 - 2) Débranchez le cordon d'alimentation CA de la prise murale.
 - 3) Retirez le porte-fusible à l'arrière du boîtier de contrôle tout en maintenant les pointes poussées vers l'intérieur aux deux extrémités (Fig. 59).
 - 4) Remplacez le fusible par un nouveau.
 - 5) Remettez en place le porte-fusible.
- * Reportez-vous à « 21 Liste des pièces de rechange » pour plus de détails sur les fusibles de rechange.

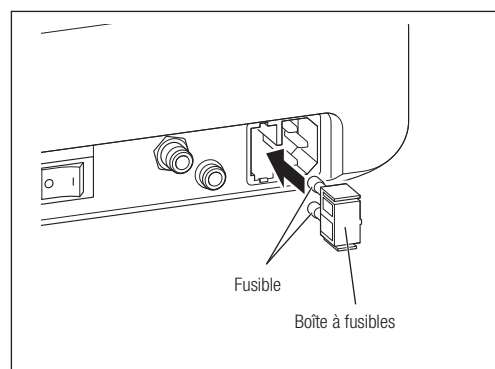


Fig. 59



ATTENTION

- Utilisez exclusivement des fusibles recommandés par NSK. Une panne peut se produire si d'autres fusibles sont utilisés.
- Si un fusible grille sans que vous puissiez en établir la raison, contactez votre distributeur NSK agréé.

REMARQUE • Si le porte-fusible est difficile à extraire, utilisez un outil muni d'une pointe dure pour pousser les pointes tout en retirant le porte-boîte à fusibles.

11 Autres fonctions

11-1 Programme initialisé (réglages d'usine)

La valeur de réglage de chacun des modes est sauvegardée dans le produit. Ces valeurs peuvent être réinitialisées pour les ramener aux réglages d'usine.

- 1) Mettez l'interrupteur principal sous tension tout en appuyant sur le bouton B de la pédale.
- 2) « Clr » s'affiche sur l'écran LCD. Lorsque « Clr » s'affiche, relâchez le bouton B de la pédale, puis appuyez sur le bouton D pour démarrer l'initialisation.
- 3) « Fin » s'affiche sur l'écran LCD lorsque l'initialisation est achevée. Une alarme sonore retentit et le produit démarre en mode normal. (Reportez-vous au tableau ci-dessous pour les réglages initiaux.)

	Mode ultrasons	Mode poudre	
		Mode prophylactique	Mode parodontal
Sélection du mode ultrasons	Parodontal	-	
Niveau de puissance.	1	1	1
Mode d'irrigation	Bouteille	- (fixé sur eau du robinet)	
Volume d'irrigation	10	10	10

ULTRASONIC

11-2 Utilisation du support pour inserts (pour insert à ultrasons, option)

- Utilisez le support pour inserts pour ranger les inserts après les avoir retiré de la pièce à main.
- Le support pour inserts peut être stérilisé en autoclave. Jusqu'à 5 inserts peuvent être stérilisés simultanément. Faites tourner le support dans le sens indiqué par la flèche pour que les inserts soient fixés au cadre destiné à la stérilisation (Fig. 60).

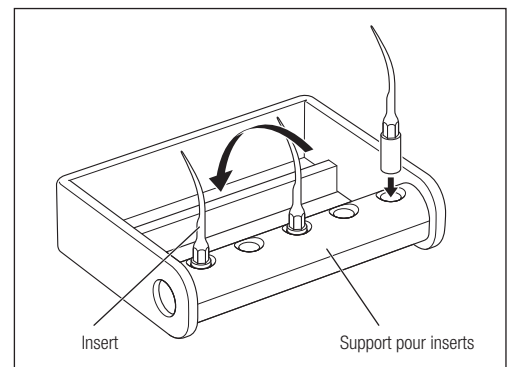


Fig. 60

11-3 Réglage du niveau d'eau de base

Le niveau d'eau de base peut être réglé en fonction de la pression de l'alimentation en eau dans l'environnement d'utilisation. Si le volume d'irrigation est trop important ou trop réduit lorsqu'il est réglé à l'aide des boutons de volume d'irrigation, suivez la procédure suivante pour ajuster le niveau d'eau de base.

- 1) Mettez l'interrupteur principal du boîtier de contrôle sous tension.
- 2) Appuyez sur le bouton de sélection du mode de fonctionnement pour choisir le mode poudre.
- 3) Appuyez sur le bouton de sélection du mode d'irrigation et maintenez-le enfoncé pendant 2 secondes. Des alarmes sonores retentissent et l'écran LCD passe en mode d'ajustement du niveau d'eau de base.
- 4) Appuyez sur les boutons de volume d'irrigation (▲/▼) pour modifier le niveau d'eau de base (« L1 » à « L5 »). Ajustez le niveau si nécessaire.
- 5) Appuyez sur le bouton de sélection du mode d'irrigation et maintenez-le enfoncé pendant 2 secondes pour sauvegarder le niveau sélectionné. Une alarme sonore retentit et le niveau sélectionné est sauvegardé, puis l'écran LCD revient en mode normal.



Fig. 61 : Mode de réglage du niveau d'eau de base [Niveau d'eau 4]

Référence

Niveau	Volume d'eau
L5	Important ↑ Réduit
L4 (valeur initiale)	
L3	
L2	
L1	

REMARQUE • Le niveau d'eau de base revient à « L4 » lorsque le produit est réinitialisé avec les réglages d'usine. Paramétrez de nouveau le niveau d'eau de base après une initialisation.

12 Contrôles d'entretien périodique

Référez-vous à la fiche ci-dessous et procédez à des contrôles d'entretien périodique tous les trois mois. Contactez votre revendeur NSK agréé si des anomalies sont détectées.

Points à vérifier	Détails
Pièce à main à ultrasons	Faites fonctionner la pièce à main à ultrasons afin de vérifier qu'elle ne génère pas une vibration, un bruit, une chaleur, etc. anormaux. Vérifiez également que la LED s'allume et que l'eau coule
Capuchon de la chambre	Vérifiez qu'il ne présente pas d'éraflures importantes ou profondes.
Vaporisateur de poudre	Après avoir rempli la chambre de poudre, pulvérisez-la dans un crachoir, etc. et vérifiez qu'elle ne fuie d'aucuns raccords autres que celui de l'insert.
Vaporisateur d'eau	Après avoir rempli la chambre de poudre, pulvérisez-la dans un crachoir, etc. et vérifiez que l'eau ne fuie d'aucuns raccords autres que celui de l'insert.
Chambre	Vérifiez qu'elle ne présente pas d'éraflures importantes ou profondes.
Fixation/retrait de la pièce à main, du tuyau de la pièce à main, de la bouteille d'irrigation et de la chambre	Vérifiez qu'ils peuvent être fixés et retirés sans problème. S'ils sont desserrés ou trop serrés, les joints peuvent être endommagés ou détériorés. Remplacez les joints. (Reportez-vous à « 10 Entretien ».)

13 Code d'erreur

« Error » et un code d'erreur s'affichent sur l'écran LCD du boîtier de contrôle si ce produit cesse de fonctionner du fait d'un dysfonctionnement, d'une pression excessive, d'un débranchement ou d'une opération incorrecte. Appuyez sur le bouton D de la pédale pour effectuer le nouveau le contrôle d'erreurs. Si le problème n'est pas détecté, l'état d'erreur est désactivé et le produit peut fonctionner. Si le code d'erreur est toujours affiché, reportez-vous au tableau ci-dessous et prenez les mesures nécessaires pour résoudre le problème.

Code d'erreur	Description de l'erreur	Vérification/solution
0	Erreur système	Mettez le boîtier de contrôle à nouveau sous tension. Contactez votre distributeur NSK agréé si l'erreur persiste.
1	Tension anormale 24 V	
2	Tension anormale 12 V	
3	Intensité anormale au niveau de la pompe	Vérifiez le raccordement de la pompe d'irrigation. Si le problème persiste, contactez votre distributeur NSK agréé.
4	Pression d'air anormale	Vérifiez la pression d'air à l'admission. Si le problème persiste, contactez votre distributeur NSK agréé.
5	Tension anormale du chauffage	Mettez le boîtier de contrôle à nouveau sous tension. Contactez votre distributeur NSK agréé si l'erreur persiste.
6	Intensité anormale au niveau du chauffage	
7	Température anormale au niveau du chauffage	Vérifiez le circuit d'eau et l'alimentation en eau du boîtier de contrôle. Laissez le boîtier de contrôle refroidir avant de l'utiliser. Contactez votre distributeur si l'erreur persiste.
8	Communication anormale avec la pédale.	Vérifiez le raccordement de la pédale. Si le problème persiste, contactez votre distributeur NSK agréé.
9	Anomalie de la pièce à main à ultrasons	Vérifiez le raccordement de la pièce à main. Si le problème persiste, contactez votre distributeur NSK agréé.
12	Communication anormale avec le capteur tactile	Mettez l'interrupteur principal hors tension puis sous tension. Si le problème persiste, contactez votre distributeur NSK agréé.
13	Erreur d'autovérification de l'unité à ultrasons	
14	Erreur système de l'unité à ultrasons	

14 Dépannage

Si vous rencontrez des problèmes, veuillez vérifier les points suivants avant de contacter votre distributeur NSK agréé.

(Mode ultrasons et mode poudre)



Problème	Cause	Solution
Bip	L'alimentation a été activée pendant que la pédale de contrôle était enfoncée.	Relâchez la pédale de contrôle et mettez l'interrupteur principal sous tension.
	Chaleur excessive du boîtier de contrôle	Arrêtez l'utilisation et laissez le boîtier de contrôle refroidir.
Le pavé tactile ne réagit pas correctement ou le bouton actionné n'est pas reconnu correctement.	La calibration est légèrement perturbée par de l'électricité statique, un bruit exogène, etc.	Mettez l'interrupteur principal hors tension puis sous tension.
	Le bouton n'a pas été touché au centre.	Touchez le centre du bouton.
<ul style="list-style-type: none"> L'eau n'arrête pas de s'écouler Le niveau d'eau ne peut pas se régler 	Dommages ou usure du joint.	Suivez la procédure « 10-1-5 Connecteur de base de la chambre » pour remplacer le joint.
	Des corps étrangers peuvent venir obstruer le parcours de l'eau.	Effectuez l'autonettoyage. Si le symptôme ne disparaît toujours pas, contactez votre distributeur NSK agréé.

(Mode ultrasons)



Problème	Cause	Solution
Des alarmes sonores retentissent et l'affichage de mode ultrasons (P/E/G) et « ULTRASONIC » clignotent en alternance lorsque le bouton D de la pédale de contrôle est enfoncé.	Le capteur intégré au support de la pièce à main est sale et détecte par erreur l'installation de la pièce à main.	Essayez le capteur pour le nettoyer.
Vibration nulle/réduite	La fiche de connexion du cordon d'alimentation CA n'est pas branchée à la prise murale ou la prise murale n'est pas alimentée en électricité.	Vérifiez le raccordement.
	Le fusible a grillé.	Reportez-vous à « 10-5 Remplacement du fusible » et remplacez le fusible.
	L'insert n'est pas fermement serré.	Faites tourner la clé dynamométrique (CR-10) jusqu'à entendre un déclic et que toute rotation supplémentaire soit impossible. Si le problème persiste, remplacez la clé dynamométrique (CR-10) car elle peut être usée.
	Insert usé.	Remplacez l'insert.
	Les parties à visser de la pièce à main et de l'insert ne sont pas propres.	Essayez-les pour les nettoyer.
	Les parties à visser de la pièce à main sont usées du fait d'une longue utilisation.	Contactez votre distributeur NSK agréé.*
	La puissance n'a pas été correctement réglée pour l'insert.	Régulez la puissance de sorte qu'elle n'excède pas le niveau maximal indiqué dans le guide de puissance des inserts ou sur l'étiquette du boîtier de l'insert.
	La pédale est débranchée.	Branchez correctement la fiche de connexion du cordon de la pédale.
	Panne de l'appareil vibratoire de la pièce à main.	Contactez votre distributeur NSK agréé.*
	Panne des composants internes de la pédale.	Contactez votre distributeur NSK agréé.*
L'insert est plié ou cassé.	Le capteur intégré au support de la pièce à main est sale et détecte par erreur l'installation de la pièce à main.	Essuyez le capteur pour le nettoyer.
L'insert se détache.	La puissance n'a pas été correctement réglée pour l'insert.	Régulez la puissance de sorte qu'elle n'excède pas le niveau maximal indiqué dans le guide puissance insert ou sur l'étiquette du boîtier de l'insert.
	L'insert n'est pas fermement serré.	Serrez l'insert jusqu'à ce que la clé dynamométrique (CR-10) produise un déclic.

Problème	Cause	Solution
Bruit provenant de la pièce à main.	La puissance n'a pas été correctement réglée pour l'insert.	Réglez la puissance de sorte qu'elle n'excède pas le niveau maximal indiqué dans le guide de puissance insert ou sur l'étiquette du boîtier de l'insert.
	L'insert n'est pas fermement serré.	Faites tourner la clé dynamométrique (CR-10) jusqu'à entendre un déclic et que toute rotation supplémentaire soit impossible. Si le problème persiste, remplacez la clé dynamométrique (CR-10) car elle peut être usée.
	Panne de vibration dans la pièce à main ou le boîtier de contrôle.	Contactez votre distributeur NSK agréé.*
La pièce à main surchauffe.	La puissance n'a pas été correctement réglée pour l'insert.	Réglez la puissance de sorte qu'elle n'excède pas le niveau maximal indiqué dans le guide puissance insert ou sur l'étiquette du boîtier de l'insert.
	L'insert n'est pas fermement serré.	Faites tourner la clé dynamométrique (CR-10) jusqu'à entendre un déclic et que toute rotation supplémentaire soit impossible. Si le problème persiste, remplacez la clé dynamométrique (CR-10) car elle peut être usée.
	Les parties à visser de la pièce à main et de l'insert ne sont pas propres.	Essuyez-les pour les nettoyer.
	Les parties à visser de la pièce à main sont usées du fait d'une longue utilisation.	Contactez votre distributeur NSK agréé.*
	Le volume d'irrigation est insuffisant ou l'irrigation s'est interrompue.	Effectuez une irrigation avec un volume adapté.
	Panne de vibration dans la pièce à main ou le boîtier de contrôle.	Contactez votre distributeur NSK agréé.*
Irrigation nulle ou instable (lorsque la bouteille est utilisée)	Le tube d'irrigation est tordu.	Redressez le tube d'irrigation tordu.
	Il est temps de remplacer la pompe d'irrigation.	Remplacez-la par une nouvelle pompe d'irrigation (reportez-vous à « 10-2 Remplacement de la pompe d'irrigation »).
Alimentation en eau nulle ou faible. (lorsque l'eau de ville est utilisée)	Le boîtier de contrôle n'est pas alimenté en eau.	Vérifiez le circuit d'eau de manière à alimenter en eau le boîtier de contrôle. Pression de l'alimentation en eau : 0,1 à 0,3 MPa
	Le volume d'irrigation est réglé sur « 0 ».	Définissez un volume d'irrigation adapté en utilisant le réglage du volume d'irrigation.
	L'alimentation en eau peut être instable lorsque le volume d'irrigation est insuffisant.	Il ne s'agit pas d'un dysfonctionnement. Augmentez le volume d'irrigation adapté en utilisant le réglage du volume d'irrigation.
	Le filtre à eau est obstrué par des corps étrangers.	Remplacez le filtre à eau par un nouveau.
Fuite d'eau.	Le tube d'irrigation n'est pas raccordé correctement.	Insérez bien complètement le tube d'irrigation dans le connecteur prévu à cet effet.
	Le joint ou le cordon de la pièce à main sont usés ou endommagés.	Remplacez le joint par un nouveau en suivant la procédure décrite dans « 10-1-1 Cordon de la pièce à main ».
	Le circuit d'eau dans le boîtier de contrôle est endommagé.	Contactez votre distributeur NSK agréé.*
La LED de la pièce à main ne s'allume pas.	La pièce à main n'est pas branchée correctement au cordon de la pièce à main.	Insérez bien complètement la pièce à main dans le cordon de la pièce à main.
	Panne dans le boîtier de contrôle.	Contactez votre distributeur NSK agréé.*

(Mode poudre)



Problème	Cause	Solution
Des alarmes sonores retentissent et « POWDER » et l'icône dent clignotent en alternance lors que les boutons D ou B de la pédale sont enfoncés.	Le capteur intégré au support de la pièce à main est sale et détecte par erreur l'installation de la pièce à main.	Essuyez le capteur pour le nettoyer.
	La chambre n'est pas fixée correctement.	Fixez la chambre correctement jusqu'à ce que vous entendiez le signal sonore de confirmation.
Un signal sonore de confirmation n'est pas audible ou l'icône indiquant le mode prophylactique ou le mode parodontal ne s'affiche pas lorsque la chambre est fixée.	Panne dans le boîtier de contrôle (débranchement).	Contactez votre distributeur NSK agréé.*
L'alimentation en air et en poudre ne fonctionne pas. Ou bien l'alimentation en air et en poudre fonctionne, mais la pression n'est pas assez forte et la puissance de nettoyage est également faible.	L'intérieur de l'insert est obstrué par de la poudre.	Remplacez l'insert.
	L'intérieur de la pièce à main est obstrué par de la poudre.	Nettoyez la base de l'embout avec le fil de nettoyage (court) fourni et son extrémité avec la lime de nettoyage. De plus, nettoyez l'intérieur de la pièce à main avec le fil de nettoyage (long). Si la poudre et l'air ne circulent pas après avoir procédé au nettoyage décrit ci-dessus, procédez à un nettoyage par ultrasons avec de l'eau chaude. (Reportez-vous à « 9-2-3 Nettoyage par ultrasons ».)
	L'intérieur de la chambre est obstrué par de la poudre.	Éliminez la poudre de l'intérieur de la chambre en suivant la procédure décrite dans « 9-4 Nettoyage de la chambre et du tuyau ».
	La poudre s'est partiellement agglomérée avec de l'eau, etc. dans le passage de l'air.	Éliminez la poudre de l'intérieur du passage en suivant la procédure décrite dans « 9-2-1 Autonettoyage ».
	Le récipient de la poudre a été laissé ouvert, exposant la poudre à l'air.	Jetez la poudre et utilisez-en une nouvelle.
	L'air d'admission est mélangé à de l'eau.	Ouvrez le filtre dans le circuit d'alimentation en air pour purger le compresseur et vérifiez que de l'eau ne s'est pas accumulée dans le filtre à air et l'écoulement du compresseur.
Impossible de retirer la chambre parce le bouton de verrouillage ne peut pas s'enfoncer	L'élément Varios Combi Pro est obstrué.	Contactez votre distributeur NSK agréé.*
	Le bouton est verrouillé	Suivez la procédure dans « Déblocage du bouton de verrouillage » dans « 9-4 Nettoyage de la chambre et du tuyau » pour débloquer le verrouillage. Si le problème ne disparaît pas, contactez votre distributeur NSK agréé.*

* Ne peut pas être réparé par un dépanneur, etc.

15 Caractéristiques

<Boîtier de contrôle>

Modèle	Varios Combi Pro
Source d'alimentation	CA 100 V - 240 V 50/60 Hz
Fréquence de fonctionnement	28 - 32 kHz
Alimentation	78 - 98 VA
Sortie maximale	11 W
Pression de l'alimentation en air	0,55 - 0,75 MPa (5,5 - 7,5 kgf/cm ²)
Pression de l'alimentation en eau	0,1 - 0,3 MPa (1,0 - 3,0 kgf/cm ²)
Volume de la bouteille	400 ml
Volume d'irrigation (Mode ultrasons)	5,0 - 70,0 ml/min (Mode d'irrigation : bouteille/eau du robinet, pression de l'alimentation en eau : 0,2 MPa)
Dimensions	L225 × P290 × H162 mm (bouteille d'irrigation et chambres comprises)
Poids	2,7 kg (sans la bouteille d'irrigation et la chambre)

<Pédale>

Modèle	FC-79
Longueur du cordon	2,5 m
Dimensions	L204 × P157 × H128 mm (support compris)
Poids	415 g (support compris)

<Pièce à main à ultrasons>

Modèle	VA2-LUX-HP
Longueur du cordon	1,8 m (sans le connecteur)
Type d'oscillateur	Type piézoélectrique
Lumière	LED blanche
Dimensions	φ20 × 103 mm (sans le cordon)
Poids	54 g (sans le cordon)

<Pièce à main à poudre>

Modèle	PROPHY-HP/PERIO-HP
Longueur du tuyau	1,8 m (sans le connecteur)
Dimensions	φ16 × 107 mm (sans le cordon)
Poids	33 g (sans le cordon)

	Température	Humidité	Pression atmosphérique
Environnement d'utilisation*2	0 - 40 °C	35 - 75 %*1	-
Environnement de stockage et de transport	-10 - 50 °C	10 - 85 %	500 - 1 060 hPa

*1 Sans condensation

*2 L'utilisation de ce produit dans des conditions autres que celles spécifiées ci-dessous peut provoquer un dysfonctionnement.

16 Classification de l'équipement

- Type de protection contre les chocs électriques :
 - Équipement de classe 1
- Degré de protection contre les décharges électriques :
 - Partie appliquée de type B : ⚡ (Parties appliquées : Insert à ultrasons, pièce à main à ultrasons, insert, pièce à main à poudre)
- Méthode de stérilisation ou de désinfection recommandée par le fabricant f :
 - Stérilisation en autoclave
- Degré de protection contre l'infiltration d'eau, comme détaillé dans l'édition actuelle de l'IEC 60529 :
 - Pédale : IPX1 (protégée contre les gouttes d'eau tombant verticalement)
- Niveau de sécurité de l'appareil en présence de mélanges anesthésiants inflammables avec de l'air, de l'oxygène ou de l'oxyde d'azote :
 - Équipement NON adapté pour une utilisation en présence d'un mélange anesthésique inflammable avec de l'air ou de l'oxygène ou de l'oxyde nitreux.
- Utilisation :
 - Opération continue

17 Principe de fonctionnement






















Mode ultrasons

Un signal électrique sinusoïdal est émis par le générateur à une fréquence ultrasonique ($f > 20$ kHz). Ce signal est appliqué à la céramique piézoélectrique située à l'intérieur du transducteur. Cette céramique piézoélectrique traduit ce signal en vibrations mécaniques. Ces vibrations sont à la même fréquence ultrasonique que le signal électrique. Les vibrations mécaniques sont transmises à l'extrémité distale du transducteur. L'insert « TIP », attaché à l'extrémité distale du transducteur, vibre alors à une fréquence ultrasonique et permet d'atteindre l'objectif visé par cet équipement.

Mode poudre

Vaporise de la poudre à l'aide de la pression de l'air pour nettoyer la surface de la dent.

18 Symbole

	Passage en autoclave jusqu'à 135 °C. max.		Ce produit peut être nettoyé en thermodesinfecteur.
	Le présent appareil est conforme aux directives européennes CE « Directives pour les appareils médicaux 93/42/EEC ».		Fabricant.
	Représentant autorisé dans la communauté européenne.		La mise au rebut du présent appareil et de ses accessoires doit se faire conformément aux directives sur la mise au rebut des appareils électriques et électroniques (DEEE) (2012/19/EU).
	Cf. Manuel d'utilisation.		Partie appliquée de type B.
	Protégé contre l'égouttement.		Utilisation à l'intérieur uniquement.
	Marquage sur l'extérieur des pièces de l'équipement qui comprend les émetteurs RF ou qui s'applique à l'énergie électromagnétique RF pour le diagnostic ou traitement.		Limitation de la température.
	Ne pas réutiliser.		À utiliser par.
	Conservez au sec.		Code en lots
	Attention : La loi fédérale américaine limite ce dispositif à la vente par ou sur l'ordre d'un médecin autorisé.		Numéro de série
	Stérilisation		Attention
	Le code DataMatrix de GS1 est un dispositif unique d'identification.		

19 Garantie

Les produits NSK sont garantis contre les défauts de fabrication et de matériel. NSK se réserve le droit d'analyser et de déterminer la cause de tout problème. La garantie est annulée si l'instrument n'a pas été utilisé correctement ou à d'autres fins que celles stipulées ou qu'il a été modifié par du personnel non qualifié ou que des pièces non NSK ont été installées. Les pièces de rechange sont disponibles pendant sept ans après la fin de la production du modèle.

20 Liste des pièces en option

Modèle	Référence	Remarques
Multi Jauge MG-4H	Z109400	
Support pour inserts	Z221080	
Set parodontal	Y1003042	Pièce à main à poudre (utilisation parodontale) Chambre (utilisation parodontale) Tuyau de la pièce à main (utilisation parodontale) Poudre Perio-Mate Insert Perio-Mate (40 pièces) Extracteur d'insert Perio-Mate
Pièce à main pour la poudre (utilisation parodontale)	T1077001	
Chambre (utilisation parodontale)	U1135019	
Tuyau de la pièce à main (utilisation parodontale)	T1053001	
Embout (utilisation parodontale)	T1077012	
Poudre Perio-Mate	Y900938	2 flacons d'une capacité respective de 160 g
Insert Perio-Mate	Y1002741	40 pièces
Extracteur d'insert Perio-Mate	T1043751	
Détendeur de pression d'eau	U1135093	

21 Liste des pièces de rechange

Modèle	Référence	Remarques
FC-79	Z1256001	Pédale
Ensemble de bouteille Varios Combi Pro	U1135017	Bouteille et capuchon (bouteille d'irrigation, capuchon de bouteille d'irrigation)
Capuchon de bouteille Varios Combi Pro	U1135116	Capuchon seul (capuchon de bouteille d'irrigation)
Bouteille Varios Combi Pro (bouteille seule)	U1135099	Bouteille seule (bouteille d'irrigation)
Jeu de joints (Bouteille d'irrigation)	Y1003544	Un joint épais et un joint fin
Joint	Y1003546	1 pour le cordon de la pièce à main
Jeu de joints (Connecteur de base de la chambre)	Y1003435	
Jeu de joints (Tuyau de la pièce à main)	Y1003500	Inclus un joint épais et un joint mince Parties communes à usage prophylactique et Perio
Jeu de joints (Embout)	Y1003501	Inclus un joint épais et un joint mince Parties communes à usage prophylactique et Perio
Joint	Y1003545	Pour le capuchon de la chambre
Cordon de la pièce à main	E351054	
Pièce à main à ultrasons	E351050	
Boîtier de stérilisation	Z1035001	Pour les parties ultrasoniques
Clé dynamométrique (CR-10)	Z221076	
Ensemble de filtre à eau	U1135078	
Filtre à eau	U387042	
Clé pour écrou (5 x 8)	Y1001301	2
Pompe d'irrigation	U1135079	Joint du connecteur exclu
FLASH pearl	Y900698	4 flacons d'une capacité respective de 300 g
Set prophylactique	Y1003771	Pièce à main à poudre (pour utilisation prophylactique) Chambre (pour utilisation prophylactique) Tuyau de la pièce à main (pour utilisation prophylactique) FLASH pearl (5 sachets) Joint de rechange
Chambre (pour utilisation prophylactique)	U1135018	
Tuyau de la pièce à main (pour utilisation prophylactique)	T1051001	
Pièce à main à poudre (utilisation prophylactique)	T1074001	
Embout (pour utilisation prophylactique)	T1074012	
Capuchon de la chambre	U1135089	Capuchon seul
Fil de nettoyage	T798092	Pour l'extrémité distale et l'intérieur de l'embout
Lime de nettoyage Courte	T798095	Pour la base de l'embout
Lime de nettoyage Longue	T798091	Pour les parties autres que celles mentionnées ci-dessus
Brosse de nettoyage	T798093	
Outil de déverrouillage	U1135256	

Modèle	Référence	Remarques
Clé dynamométrique anneau	T1074601	
Huile pour turbine	Z016112	
Tuyau d'air	D0914406036	
Fusible	D1202220010	Valeur nominale T2AH250V


22 Mise au rebut du produit

Afin d'éviter tout risque pour la santé des opérateurs en charge de la mise au rebut d'équipements médicaux ainsi que tout risque de contamination environnementale qui pourrait en résulter, le chirurgien ou le dentiste doit obligatoirement confirmer que l'équipement est stérile. Demandez à des entreprises spécialisées agréées pour la mise au rebut de déchets industriels sous contrôle spécifique de se charger de la mise au rebut du produit.

23 Informations CEM (compatibilité électromagnétique)

Directives et déclaration du fabricant - Émissions électromagnétiques		
Le produit est destiné à être utilisé dans l'environnement électromagnétique spécifié ci-dessous. Le client ou l'utilisateur du produit doit s'assurer qu'il est utilisé dans un tel environnement.		
Tests d'émission	Conformité	Environnement électromagnétique - conseils
Émissions Rf CISPR11/EN55011	Groupe 1	Ce produit utilise l'énergie radiofréquence uniquement pour son fonctionnement interne. En conséquence, ses émissions Rf sont très basses et ne causeront probablement pas d'interférences dans les équipements électroniques situés à proximité.
Émissions Rf CISPR11/EN55011	Classe B	Le produit peut être utilisé dans tous les établissements, dont les établissements à usage domestique et ceux qui sont directement connectés au réseau public d'électricité basse tension qui alimente des bâtiments utilisés à des fins domestiques.
Émissions harmoniques EN/IEC61000-3-2	Classe A (exception 120 V)	
Les fluctuations de voltage/ émissions fluctuantes EN/IEC61000-3-3	Conforme (exception 120 V)	

Directives et déclaration du fabricant - Immunité électromagnétique			
Le produit est destiné à être utilisé dans l'environnement électromagnétique spécifié ci-dessous. Le client ou l'utilisateur du produit doit s'assurer qu'il est utilisé dans un tel environnement.			
Test d'immunité	Niveau de test EN/IEC60601	Niveau de conformité	Environnement électromagnétique - conseils
Décharge électrostatique (ESD) EN/IEC61000-4-2	±(2,4) 6 kV contact ±(2,4) 8 kV air	±(2,4) 6 kV contact ±(2,4) 8 kV air	Les sols doivent être en bois, en béton ou en carrelage. Si les sols sont revêtus d'un matériau synthétique, l'humidité relative doit être au moins de 30 %.
Explosion/courant transitoire rapide EN/IEC61000-4-4	±2kV pour les lignes d'alimentation en énergie ±1kV pour les lignes d'alimentation/de sortie	±2kV pour les lignes d'alimentation en énergie ±1kV pour les lignes d'alimentation/de sortie	La qualité de l'alimentation principale doit être équivalente à celle d'un environnement commercial ou hospitalier typique.
Surtension EN/IEC61000-4-5	±1kV circuit(s) vers circuit(s) ±2kV circuit(s) vers terre	±1kV circuit(s) vers circuit(s) ±2kV circuit(s) vers terre	La qualité de l'alimentation principale doit être équivalente à celle d'un environnement commercial ou hospitalier typique.
Chutes de tension, courtes interruptions et variations de voltage sur les lignes d'alimentation EN/IEC61000-4-11	<5 % Ut (>95 % de chute dans Ut) pour 0,5 cycles 40 % Ut (60 % de chute dans Ut) pour 5 cycles 70 % Ut (30% de chute dans Ut) pour 0,5 cycles <5 % Ut (>95 % de chute dans Ut) pendant 5 secondes	<5 % Ut (>95 % de chute dans Ut) pour 0,5 cycles 40 % Ut (60 % de chute dans Ut) pour 5 cycles 70 % Ut (30% de chute dans Ut) pour 0,5 cycles <5 % Ut (>95 % de chute dans Ut) pendant 5 secondes	La qualité de l'alimentation principale doit être équivalente à celle d'un environnement commercial ou hospitalier typique. Si l'utilisateur du produit nécessite un fonctionnement continu pendant les coupures de courant, il est recommandé d'alimenter le produit depuis une alimentation électrique sans coupure ou une pile.
Champ magnétique à fréquence industrielle (50/60 Hz) EN/IEC61000-4-8	3A/m	3A/m	Les champs magnétiques de la fréquence de puissance doivent se situer à des niveaux caractéristiques d'un site typique se trouvant dans un environnement commercial ou hospitalier typique.
REMARQUE : 'Ut' est la tension de l'alimentation secteur avant l'application du niveau de test.			

Directives et déclaration du fabricant - Immunité électromagnétique			
Le produit est destiné à être utilisé dans l'environnement électromagnétique spécifié ci-dessous. Le client ou l'utilisateur du produit doit s'assurer qu'il est utilisé dans un tel environnement.			
Test d'immunité	Niveau de test EN/IEC60601	Niveau de conformité	Environnement électromagnétique - conseils
RF conduit EN/IEC61000-4-6	3Vrms 150 kHz à 80 MHz	3Vrms	<p>La distance séparant les équipements de communication RF mobiles et portables et un quelconque composant du produit (câbles compris) ne peut pas être inférieure à la distance de séparation recommandée et calculée à partir de l'équation applicable pour la fréquence du transmetteur.</p> <p>Distance de séparation recommandée $d = 1,2 \sqrt{P}$ $d = 1,2 \sqrt{P}$ 80 MHz à 800 MHz $d = 2,3 \sqrt{P}$ 800 MHz à 2,5 GHz</p> <p>Où P est le niveau de puissance maximal du transmetteur en watts (W) selon le fabricant du transmetteur et (d) la distance de séparation recommandée en mètres (m). Les intensités de champ des transmetteurs RF fixes telles que déterminées par une étude(a) de site électromagnétique doivent être inférieures au niveau de conformité dans chaque gamme de fréquence(b). Il se peut qu'il y ait des interférences à proximité des équipements arborant le symbole suivant :</p> 
RF émis EN/IEC61000-4-3	3V/m 80 MHz à 2,5 GHz	3V/m	
REMARQUE 1 : À 80 MHz et 800 MHz, la plage de fréquences plus élevée s'applique.			
REMARQUE 2 : Ces directives peuvent ne pas s'appliquer dans toutes les situations. La propagation électromagnétique est influencée par l'absorption et la réflexion des structures, des objets et des personnes.			
a : Les intensités de champs provenant de transmetteurs fixes, tels que des stations de base pour radiotéléphones (cellulaires/sans fil) et radios mobiles terrestres, les radios amateur, la diffusion radio AM et FM et la diffusion TV ne peuvent pas être prédites théoriquement avec précision. Pour évaluer l'environnement électromagnétique dû aux transmetteurs RF fixes, une étude électromagnétique du site doit être envisagée. Si l'intensité du champ mesuré à l'endroit où le produit est utilisé dépasse le niveau de conformité RF applicable indiqué ci-dessus, le produit doit être observé pour vérifier son fonctionnement normal. Si des performances anormales sont constatées, des mesures supplémentaires peuvent être nécessaires, telles que réorienter ou repositionner le produit.			
b : Au-delà de la gamme de fréquence de 150 kHz à 80 MHz, l'intensité de champ doit être inférieure à 3V/m.			

Câbles et accessoires	Longueur maximale	Compatible avec
Cordon de la pièce à main	2,0 m (non blindé)	Émissions RF, CISPR11 Émissions harmoniques, (exception 120 V)
Cordon de la pédale	2,5 m (non blindé)	Fluctuations de tension/émissions de scintillement, (exception 120 V)
Cordon d'alimentation CA	3,0 m (non blindé)	Décharge électrostatique (ESD) : Explosion/courant transitoire rapide : Surtension : Chutes de tension, courtes interruptions et variations de voltage sur les lignes d'alimentation : Fréquence de puissance (50/60 Hz) champ magnétique : RF conduit : RF émis :
		Classe B/Groupe 1 EN/IEC61000-3-2 EN/IEC61000-3-3 EN/IEC61000-4-2 EN/IEC61000-4-4 EN/IEC61000-4-5 EN/IEC61000-4-11 EN/IEC61000-4-8 EN/IEC61000-4-6 EN/IEC61000-4-3

Distances de séparation recommandées entre l'équipement de communication RF mobile et portable et le produit

Le produit est destiné à être utilisé dans un environnement électromagnétique dans lequel les perturbations RF rayonnées sont contrôlées. Le client ou l'utilisateur du produit peuvent contribuer à éviter les interférences électromagnétiques en maintenant une distance minimale entre les équipements de communications RF portables et mobiles (transmetteurs) et le produit comme recommandé ci-dessous, conformément à la puissance de sortie maximale des équipements de communications.

Puissance de sortie nominale maximale du transmetteur	Distance de séparation en fonction de la fréquence du transmetteur m		
	150 kHz à 80 MHz $d = 1,2 \sqrt{P}$	80 MHz à 800 MHz $d = 1,2 \sqrt{P}$	800 MHz à 2,5 GHz $d = 2,3 \sqrt{P}$
0,01	0,12	0,12	0,23
0,1	0,38	0,38	0,73
1	1,2	1,2	2,3
10	3,8	3,8	7,3
100	12	12	23

Pour les transmetteurs dont la puissance maximale n'est pas indiquée ci-dessus, la distance de séparation « d » recommandée en mètres (m) être estimée à l'aide de l'équation applicable à la fréquence du transmetteur, où « P » est la puissance maximale du transmetteur en watts (W) selon le fabricant du transmetteur.

REMARQUE 1 : À 80 MHz et 800 MHz, la plage de fréquences plus élevée s'applique.




REMARQUE 2 : Ces directives peuvent ne pas s'appliquer dans toutes les situations. La propagation électromagnétique est influencée par l'absorption et la réflexion des structures, des objets et des personnes.

Le agradecemos que haya adquirido Varios Combi Pro. Lea este manual de funcionamiento detenidamente antes de utilizar el aparato para comprender las instrucciones de funcionamiento y las directrices de mantenimiento y cuidado a fin de poder utilizarlo durante muchos años de forma correcta. Conserve este manual de funcionamiento en un lugar de fácil acceso para los usuarios para cualquier futura consulta.

– Contenidos –

1. Usuario y uso previsto	81
2. Precauciones para uso y operación	81
3. Lista de accesorios	85
4. Nombres de los componentes	86
5. Instalación	88
6. Verificación antes del tratamiento	91
7. Uso del modo Ultrasonic	92
8. Uso del modo Powder.	96
9. Mantenimiento.	100
10. Cuidado y mantenimiento	105
11. Otras funciones	110
12. Comprobaciones periódicas de mantenimiento	111
13. Código de error	111
14. Resolución de problemas	112
15. Características técnicas	115
16. Clasificación del equipamiento	115
17. Principio de funcionamiento	116
18. Símbolos	116
19. Garantía	116
20. Lista de piezas opcionales	117
21. Lista de piezas de recambio	117
22. Eliminación del producto.	118
23. Información CEM (Información de compatibilidad electromagnética)	118

* Algunas secciones están indicadas con la(s) siguiente(s) marca(s) para mostrar el (los) modo(s) relacionados con la sección.

-  Descripción sobre el modo Ultrasonic
-  Descripción sobre el modo Prophy en el modo Powder
-  Descripción sobre el modo Perio en el modo Powder



1 Usuario y uso previsto

Usuario: dentista, higienista dental

Uso previsto: limpieza de la superficie dental, eliminación de placa o cálculo dental, resección dental, expansión o limpieza del conducto radicular, eliminación de sustancias extrañas, obturación del conducto radicular, mejora de adhesión de restauraciones fijas, incisión o extracción de tejido periodontal

2 Precauciones para uso y operación

- Lea detenidamente estas advertencias y utilice el dispositivo sólo para el fin diseñado y en la forma indicada.
- Las instrucciones de seguridad tienen el fin de evitar cualquier posible peligro que pudiera provocar daños personales o en el dispositivo. Las instrucciones de seguridad se clasifican de la siguiente forma, de acuerdo con la gravedad del riesgo.

Clasificación	Grado de peligro y gravedad
 ADVERTENCIA	En caso de que no se respeten las instrucciones de seguridad, existe el peligro de poder provocar serios daños personales o daños al dispositivo.
 PRECAUCIÓN	En caso de que no se respeten las instrucciones de seguridad, existe el peligro de poder provocar pequeños o moderados daños personales o daños en el dispositivo.
IMPORTANTE	Información general de producto destacada para evitar un mal funcionamiento del producto y una reducción de su rendimiento.

⚠ ADVERTENCIA

<Modo Ultrasonic y modo Powder>



- No manipule el cable de potencia con las manos mojadas. Entrar en contacto con la electricidad con las manos mojadas puede provocar una descarga eléctrica.
- Mantenga siempre el aparato lejos de sustancias explosivas y de materiales inflamables.
- Si el producto se sobrecalienta o huele a quemado, apague la fuente de alimentación inmediatamente y desenchufe el cable. Póngase en contacto con su distribuidor NSK autorizado.
- Utilice un enchufe con toma de tierra para evitar descargas eléctricas.
- No trabaje cerca de pacientes con marcapasos, ya que existe el peligro de que pudieran verse afectados.
- El funcionamiento normal de este sistema se produce en un ambiente con una temperatura de entre 0 y 40 °C (32 - 104 °F), una humedad del 35 - 75 % RH y sin condensación de humedad en la unidad de control. Utilizar el aparato sin tener en cuenta estos límites podría provocar un mal funcionamiento.
- Tenga cuidado de no tirar agua o líquido desinfectante en la unidad de control. Esto podría causar cortocircuitos y provocar un incendio y/o descarga eléctrica.
- Encender y apagar repetidamente el interruptor principal puede hacer que se funda un fusible.
- Si se depositan gotas de agua, sustancias químicas, disolventes o antisépticos en la unidad de control, la pieza de mano, el cable de pieza de mano no apantallado, la manguera de la pieza de mano, etc., límpielos con un paño inmediatamente. De lo contrario, puede producirse decoloración o deformación.
- Conéctese a una red pública de agua que proporcione agua potable a una presión de entre 0,1 y 0,3 MPa. El uso de una presión de agua incorrecta puede tener como resultado un suministro de agua insuficiente, inoperancia o un mal funcionamiento.
- Utilice un descalcificador de agua, etc. para reducir la dureza del agua. Un agua muy dura puede provocar depósitos minerales o de cal en el circuito de agua que pueden producir problemas como un nivel de agua insuficiente, dificultades de funcionamiento o averías. Cuando lo haga, utilice un tubo de agua con un filtro de agua para evitar que se produzcan averías en el dispositivo provocadas por la presencia de material extraño en el agua de grifo. Consulte el apartado "10-3 Cambio del filtro de agua" para sustituir el filtro de agua de forma correcta.
- No esterilice mediante luz ultravioleta. Eso podría causar decoloración en la pieza de mano.
- Sostenga la clavija al extraer el cable de pieza de mano no apantallado o la manguera de la pieza de mano. Al extraer el cable o la manguera estos pueden desconectarse o sufrir daños.

<Modo Ultrasonic>



- Utilice siempre el suministro de agua. Un suministro de agua insuficiente tiene como resultado un sobrecalentamiento, lo que puede provocar daños en la superficie de los dientes del paciente.
- No permita que el paciente o el asistente miren directamente al LED de la pieza de mano ni al cable de la pieza de mano no apantallado. Si lo hacen, podrían sufrir daños en la vista.

<Modo Powder>



- No utilice el producto en los siguientes pacientes.
 - Pacientes con complicaciones médicas o alergias.
 - Pacientes que presenten problemas previos (por ejemplo, trastornos cardíacos, pulmonares o renales, o presión arterial alta).
 - Pacientes con afecciones respiratorias.
 - Pacientes con bolsas periodontales patológicamente profundas (6 mm o más) o con lesiones en la mucosa. Si se dirige durante mucho tiempo el chorro hacia el tejido blando o cerca de las glándulas salivales, puede entrar aire de polvo en estos y provocar enfisema.
 - Pacientes con úlceras graves en los órganos digestivos.
 - Pacientes con disfunción renal.
 - Pacientes con afecciones pulmonares o cardíacas o problemas de ventilación.
 - Pacientes con una válvula cardíaca artificial o articulación artificial.
 - Pacientes que tengan alergia. Dependiendo de la constitución del paciente, este puede desarrollar síntomas de alergia o estomatitis en casos excepcionales. En caso de observar estos síntomas, deje inmediatamente de utilizar el producto y solicite atención médica.
- Durante el uso, tanto el operario como el asistente deben llevar gafas y máscaras de protección en todo momento. Además, se debe aspirar y recoger el polvo expulsado durante el uso continuamente. En caso de que el polvo entre en contacto con los ojos, es preciso aclarar de inmediato los ojos con agua abundante y consultar a un oftalmólogo.
- Ajuste el suministro de presión del aire a 0,55 - 0,75 MPa y utilice aire limpio y seco. El uso de una presión incorrecta puede tener como resultado una presión de pulverización (potencia) insuficiente, inoperancia o un mal funcionamiento.

<Modo Propy>



- No pulverice directamente sobre el cemento del conducto radicular, esmalte descalcificado, empaste o margen de una prótesis o empaste.

⚠ ADVERTENCIA

<Modo Perio>



- Cuando utilice el modo Perio, preste atención para no provocar enfisema al pulverizar aire que contenga polvo en las bolsas periodontales. Si se produce enfisema por el tratamiento con el modo Perio, deje inmediatamente de utilizar el producto y solicite atención médica.
- No utilice el producto en los siguientes pacientes. Si se utiliza en bolsas periodontales para estos pacientes, el producto puede provocar bacilemia.
 - Pacientes con endocarditis.
 - Pacientes con enfermedades contagiosas.
 - Pacientes con enfermedades inmunodeficientes (neutropenia, granulocitopenia, agranulocitosis, diabetes, hemofilia).
 - Pacientes en tratamiento de radiación, quimioterapia o administración de antibióticos.
- No utilice el producto en los siguientes pacientes. (Excluyendo el uso sin la punta de la boquilla)
 - Pacientes con lesiones o anomalías en la cavidad oral.
 - Pacientes con hiperemia, hemorragia o inflamación en la cavidad oral.
 - Pacientes con tendencia a desarrollar inflamación o úlceras en la membrana mucosa oral.
- Utilice este producto únicamente para el mantenimiento tras un tratamiento periodontal básico. No lo utilice nunca para otros fines.
- Utilice el modo Perio únicamente sobre bolsas periodontales que reúnan las siguientes condiciones:
 - Bolsas periodontales provocadas por una enfermedad de las encías.
 - Bolsas periodontales de menos de 6 mm que se hayan sometido a un tratamiento periodontal básico.
- Compruebe la profundidad de las bolsas periodontales mediante una sonda de medición o radiografía antes de utilizar el producto.
- Utilice únicamente el polvo de limpieza indicado. El uso de otros polvos puede causar un mal funcionamiento o un rendimiento inferior, puede dañar la sustancia ósea y la dentina o provocar enfisema. NSK declina cualquier responsabilidad por problemas producidos como consecuencia del uso de polvos distintos al indicado.
- La punta de la boquilla para el modo Perio incluida en el paquete del producto es un elemento estéril. Cuando se utilicen estos productos, tenga en cuenta las instrucciones siguientes:
 - La punta de la boquilla es un producto desechable. No vuelva a utilizarla ni la esterilice de nuevo ya que podría producirse una rotura de la misma o una infección en el paciente.
 - Antes de usarla, compruebe que el paquete NO esté abierto ni dañado. Si el paquete está abierto o dañado, no utilice la punta de la boquilla, ya que podría estar dañada o contaminada.
 - Tenga en cuenta la fecha de caducidad que figura en el paquete de la punta de la boquilla. No utilice productos caducados ya que podría producirse una rotura de los mismos o una infección en el paciente.

⚠ PRECAUCIÓN

<Modo Ultrasonic y modo Powder>



- Lea este manual de funcionamiento antes de su uso para comprender plenamente las funciones del producto y consérvelo para futuras consultas.
- Al utilizar el producto, piense siempre en la seguridad del paciente.
- El usuario final será responsable de cualquier sentencia referente al uso de este producto en un paciente.
- Los usuarios son responsables del control de operación, mantenimiento e inspección continua de este producto.
- Este equipo es únicamente para uso en interiores.
- Mantenga la unidad de control sobre una superficie plana.
- No intente desmontar el producto ni modificar el mecanismo excepto cuando así lo recomiende NSK en este manual de funcionamiento.
- Evite que el producto sufra cualquier impacto. No deje que se le caiga el producto. La varilla de vidrio y la pieza de mano podrían dañarse si la pieza de mano Ultrasonic se cae.
- Los especialistas y demás personal de la zona deben llevar protectores oculares y máscara cuando utilicen este producto.
- En caso de que este producto funcione de forma anómala, detenga inmediatamente su funcionamiento y póngase en contacto con su distribuidor NSK autorizado.
- Presione la pieza de mano de forma segura y completamente sobre el cable de pieza de mano no apantallado o la manguera de la pieza de mano al conectarlos.
- No esterilice con autoclave el cable de la pieza de mano no apantallado ni la manguera de la pieza de mano. Use alcohol para desinfectar el cable o la manguera después de utilizarlos.
- No utilice agua muy ácida ni soluciones esterilizantes para limpiar o sumergir el producto.
- Este producto no se entrega esterilizado, a excepción de la punta de la boquilla (opcional), y debe ser esterilizado con autoclave antes de ser utilizado. Consulte “9-3 Esterilización” para obtener más información.
- Lleve a cabo comprobaciones de mantenimiento y funcionamiento regularmente.
- Si el producto lleva tiempo sin utilizarse, compruebe que funcione correctamente antes de usarlo con un paciente.
- Para evitar pérdidas de tiempo durante la operación, se recomienda tener a mano una unidad de repuesto por si ocurriera una avería durante la cirugía.
- Sustituya siempre el fusible por otro con la misma calificación especificada.
- Este producto es un equipo médico eléctrico con calificación. La CEM (compatibilidad electromagnética) se describe en la documentación anexa.
- La instalación y uso de este producto requiere precauciones especiales con respecto a la CEM de acuerdo con la información de la CEM.
- Un equipo de comunicaciones de RF móvil y portátil puede afectar al equipo médico eléctrico. No utilice el equipo RF cerca del producto.
- El uso de ACCESORIOS, como piezas de mano y cables, que no sean los especificados por el fabricante, excepto las piezas de mano y cables vendidos por el fabricante de este producto como piezas de recambio para componentes internos, puede provocar un aumento de las EMISIONES y una disminución de la INMUNIDAD de este producto.
- Este producto no debe colocarse al lado o encima de otros equipos. Si es necesario utilizarlo cerca o sobre otros equipos, deberá comprobarse que este producto funciona de forma normal en la configuración en la que se utilizará.

⚠ PRECAUCIÓN

- El sistema puede presentar un mal funcionamiento cuando se utiliza en presencia de una onda de interferencia electromagnética. No instale el sistema cerca de ningún dispositivo que emita ondas magnéticas. Apague el interruptor principal de encendido del sistema cuando cerca del lugar de uso haya un dispositivo de oscilación ultrasónica o un electrobisturí.
- La ley federal de Estados Unidos limita la venta de este dispositivo a médicos o bajo prescripción facultativa.
- Para mayor seguridad, instale la unidad de control en un lugar donde el cable de alimentación CA se pueda retirar fácilmente. (Es posible desconectar la unidad de control de la fuente de alimentación retirando el cable de alimentación CA.)

<Modo Ultrasonic>



- La temperatura de la superficie de la punta puede alcanzar los 65 °C si no se utiliza agua refrigerante. Utilice agua refrigerante para evitar que esto suceda.

<Modo Powder>

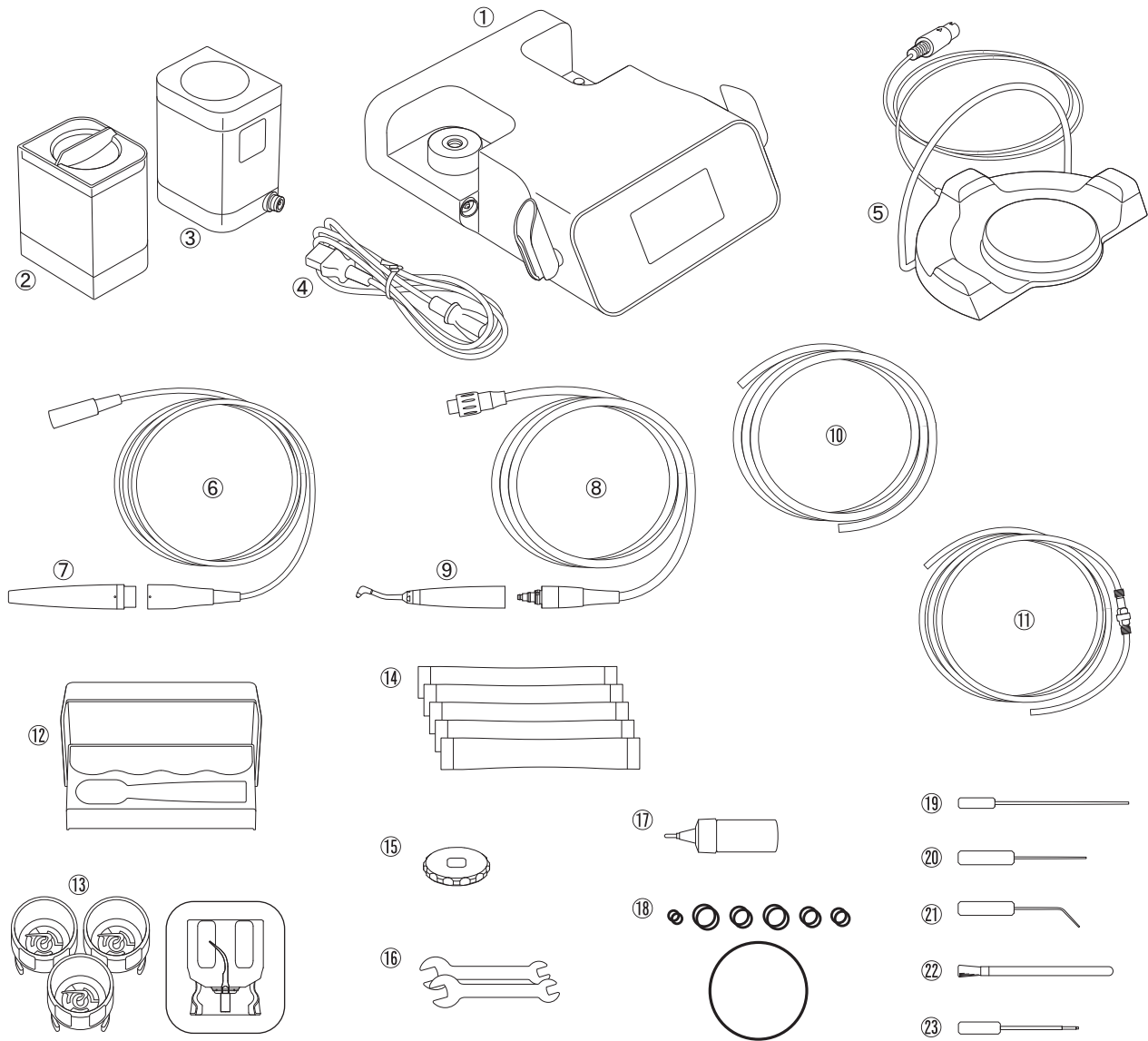


- Tenga especial cuidado para que el polvo de limpieza no entre en contacto con la zona de mucosas del paciente (ojos, nariz, etc.) aparte de las de la cavidad oral. Asimismo, cubra el rostro del paciente con una toalla, gafas de protección, etc. para evitar que le entre polvo de limpieza en los ojos.
 - * Si el paciente lleva lentillas, pídale que se las quite o que se ponga unas gafas de protección antes de iniciar el tratamiento.
- Asegúrese de que el aire comprimido esté seco y limpio. Si se mezcla agua o aceite con el aire, se puede producir la solidificación interna del polvo de limpieza.
- Ajuste firmemente la tapa del depósito para evitar que salga despedida, lo que puede provocar una lesión.
- No abra la tapa del depósito durante el uso. De lo contrario, el polvo puede salir despedido de la tapa, ya que la presión en el interior del depósito es alta.
- Antes de conectar la manguera de la pieza de mano, el depósito y la pieza de mano, o el depósito y la unidad de control, asegúrese de secar todo el agua que pueda haber en las conexiones de la manguera y el depósito con aire seco. Si no lo hace, puede entrar humedad en el suministro de aire, lo que provocará la solidificación del polvo de limpieza dentro del producto.
- La temperatura de la superficie de la pieza de mano Powder puede alcanzar los 50 °C en función del entorno de uso.
- Si se introduce demasiado polvo de limpieza en el depósito, al comenzar a usarlo es posible que no se pueda pulverizar la cantidad adecuada.
- El polvo se esparce fácilmente porque es muy fino. Realice la operación de llenado del depósito lentamente y asegúrese de evitar que el polvo se disperse.
- Los paquetes de polvo que llevan abiertos mucho tiempo pueden humedecerse y provocar obstrucciones. Utilice siempre polvo nuevo y seco. Cuando utilice polvo embotellado (opcional), asegúrese de cerrar bien la tapa de la botella después de utilizarla.
- Aplique al paciente vaselina o productos similares en los labios para evitar que se le sequen o se le agrieten las comisuras.

IMPORTANTE

- No se necesita una formación especial para utilizar este dispositivo.
- La repetida esterilización en un autoclave puede hacer que la pieza de mano Ultrasonic se decolore debido al calor. Sin embargo, esto se debe a las propiedades del producto y no se trata de un problema en términos de calidad.

3 Lista de accesorios



La punta está montada en la llave para punta (CR-10)

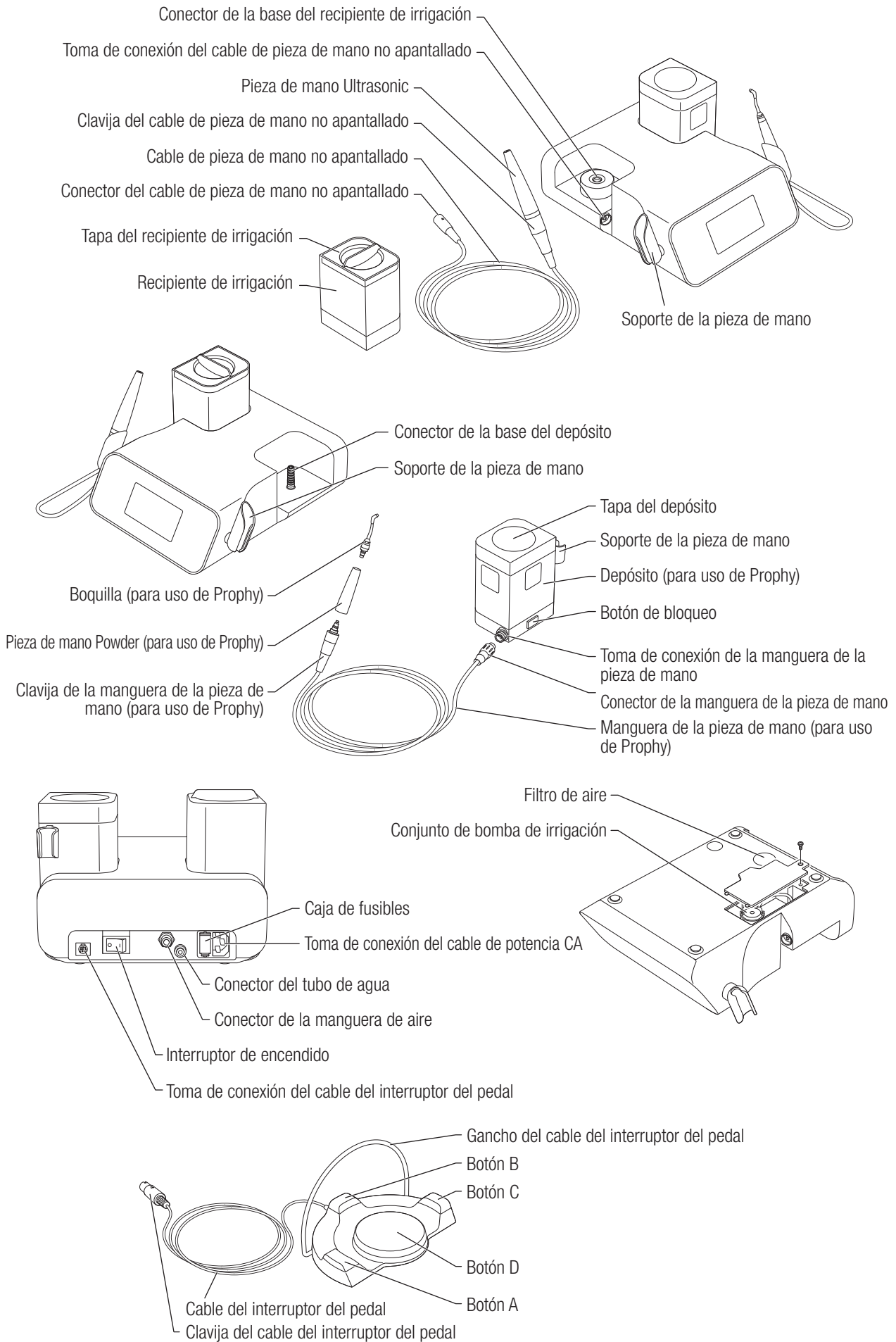
N.º	Nombre de la pieza	Cantidad	N.º	Nombre de la pieza	Cantidad
1	Unidad de control	1	14	FLASH pearl	5
2	Recipiente de irrigación	1	15	Llave de aro	1
3	Depósito (para uso de Prophy)	1	16	Llave inglesa (5x8)	2
4	Cable de potencia CA	1	17	Aceite para turbina	1
5	Interruptor del pedal	1	18	Junta tórica de repuesto	7 tipos
6	Cable de pieza de mano no apantallado	1	19	Alambre boquilla (largo)	1
7	Pieza de mano Ultrasonic	1	20	Alambre boquilla (corto)	1
8	Manguera de la pieza de mano (para uso de Prophy)	1	21	Alambre para limpieza	1
9	Pieza de mano Powder (para uso de Prophy)	1	22	Escobilla para limpieza	1
10	Manguera de aire	1	23	Herramienta de desbloqueo	1
11	Tubo de agua	1	24	Manual de funcionamiento (este manual)*	1
12	Caja de esterilización	1	25	Guía de potencia de la punta*	1
13	Punta y llave para punta	3	26	Tarjeta de la punta*	1
			27	Guía rápida de funcionamiento de Varios Combi Pro*	1

* No aparece en las ilustraciones anteriores

IMPORTANTE • El FLASH pearl y el polvo Perio Mate (opcional) utilizados en el modo Powder son referidos como “polvo” en este manual de funcionamiento a menos que se especifique lo contrario.

• Para usar el modo Perio, debe adquirirse por separado el kit Perio opcional. Consulte “20 Lista de piezas opcionales” para obtener más información sobre el kit Perio.

4 Nombres de los componentes

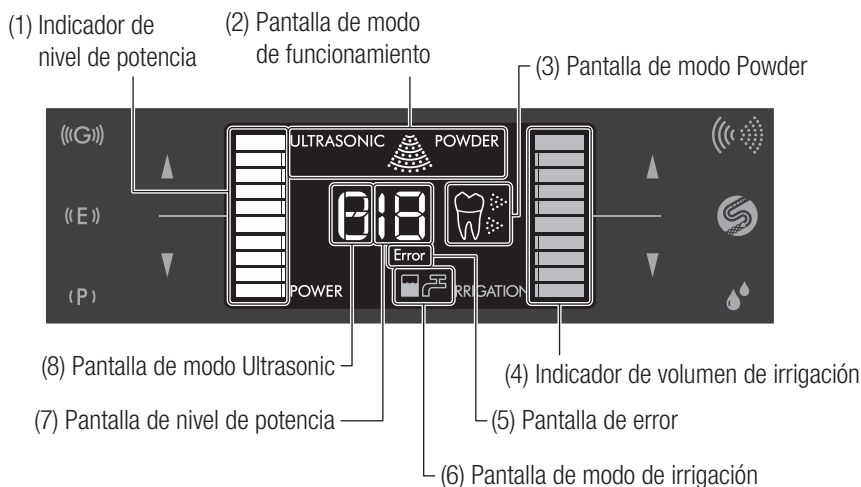


4-1 Panel de funcionamiento



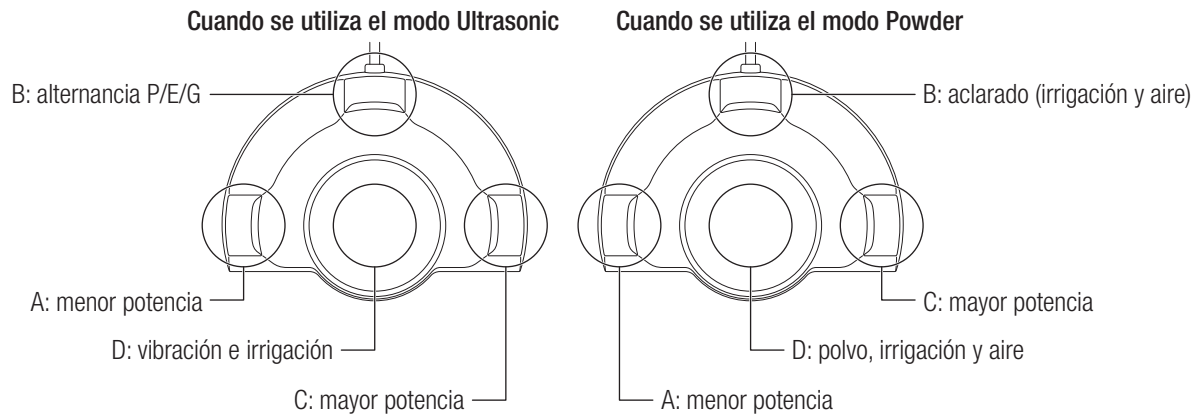
- (1) Tecla de selección del modo Ultrasonic
Permite alternar el modo Ultrasonic entre P (Perio), E (Endo) y G (General). El nivel más alto de potencia es G, seguido de E y P. Para cada modo se puede ajustar el nivel de potencia, el nivel de irrigación y el modo de irrigación.
- (2) Tecla de nivel de potencia
Permite ajustar el nivel de potencia utilizando las teclas ▲/▼.
- (3) Tecla de volumen de irrigación
Permite ajustar el volumen de irrigación utilizando las teclas ▲/▼.
- (4) Tecla de selección del modo de funcionamiento
Permite alternar entre “modo Ultrasonic” y “modo Powder”.
- (5) Tecla de autolimpieza
Permite iniciar la autolimpieza. Consulte “9-1-1 Autolimpieza” (pieza de mano Ultrasonic) o “9-2-1 Autolimpieza” (pieza de mano Powder) para obtener más información.
Modo Ultrasonic:
Permite pulverizar agua de grifo durante 15 segundos. A continuación, se pulveriza agua del recipiente de irrigación durante 30 segundos para limpiar la pieza de mano Ultrasonic.
Modo Powder:
Permite pulverizar aire y agua a la vez durante 10 segundos y, a continuación, se pulveriza solamente aire durante 35 segundos.
- (6) Tecla de selección del modo de irrigación
Permite alternar el modo de irrigación (agua del recipiente o de grifo) en el modo Ultrasonic. En el modo Powder siempre se utiliza agua de grifo.

4-2 Panel LCD



- (1) Indicador de nivel de potencia
Muestra la potencia actual en el indicador del diagrama de barras.
- (2) Pantalla de modo de funcionamiento
Muestra el modo de funcionamiento actual (Ultrasonic o Powder).
- (3) Pantalla de modo Powder
Muestra el depósito insertado (Prophy o Perio) (solo cuando se utiliza el modo Powder).
- (4) Indicador de volumen de irrigación
Muestra el nivel de irrigación seleccionado en el indicador del diagrama de barras.
- (5) Pantalla de error
Se muestra cuando se produce un error. Consulte “13 Código de error” para obtener más información.
- (6) Pantalla de modo de irrigación
Muestra el modo de irrigación (agua del recipiente o de grifo) en el modo Ultrasonic. En el modo Powder siempre se utiliza agua de grifo.
- (7) Pantalla de nivel de potencia
Muestra el nivel de potencia actual como un número.
- (8) Pantalla de modo Ultrasonic
Muestra el modo Ultrasonic actual (P/E/G).

4-3 Interruptor del pedal



Modo Ultrasonic

- A: Menor potencia
Permite reducir el nivel de potencia.
- B: Alternancia P/E/G (modo Ultrasonic)
Permite alternar el modo Ultrasonic en el orden de P (Perio) → E (Endo) → G (General) → P (Perio)... cada vez que se pulsa el botón.
- C: Mayor potencia
Permite aumentar el nivel de potencia.
- D: Vibración e irrigación
Permite vibrar e irrigar mientras se presiona el botón.

Modo Powder

- A: Menor potencia
Permite reducir el nivel de potencia.
- B: Aclarado (irrigación y aire)
Permite pulverizar agua y aire mientras se presiona el botón.
- C: Mayor potencia
Permite aumentar el nivel de potencia.
- D: Polvo, irrigación y aire
Permite pulverizar polvo, agua y aire mientras se presiona el botón.

5 Instalación

5-1 Conexión del cable de potencia CA

- 1) Apague el interruptor de encendido antes de conectar el cable de potencia CA.
- 2) Inserte el cable de potencia CA de manera que encaje correctamente en la toma de conexión del cable de potencia CA situada en la parte posterior de la unidad de control (Fig. 1).
- 3) Enchufe el cable de potencia CA en una toma de corriente de pared específica para uso médico.

- PRECAUCIÓN**
- No desconecte el cable de potencia CA agarrando y tirando del mismo.
 - Asegúrese de que el dispositivo se haya detenido por completo antes de quitar o insertar el cable de potencia CA.

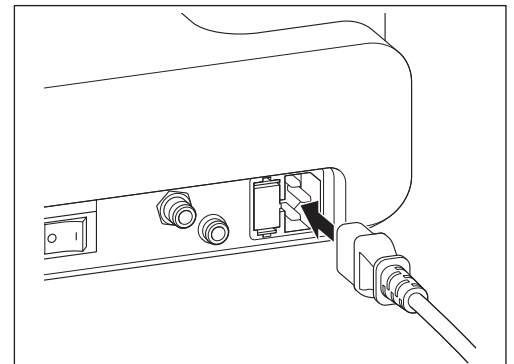


Fig. 1

5-2 Conexión de la manguera de aire

- 1) Inserte un extremo de la manguera de aire hasta el fondo del conector de la manguera de aire (Fig. 2).
- 2) Tire suavemente de la manguera de aire para comprobar que esta no se sale.
- 3) Para quitar la manguera de aire, tire de esta mientras presiona el anillo azul hacia la unidad de control (Fig. 3).



- Use aire limpio y seco. El polvo puede obstruirse si el aire contiene humedad o aceite.

PRECAUCIÓN

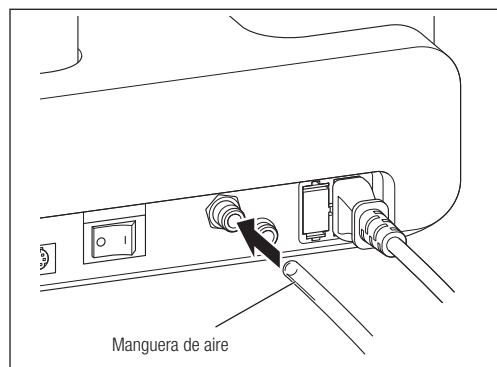


Fig. 2

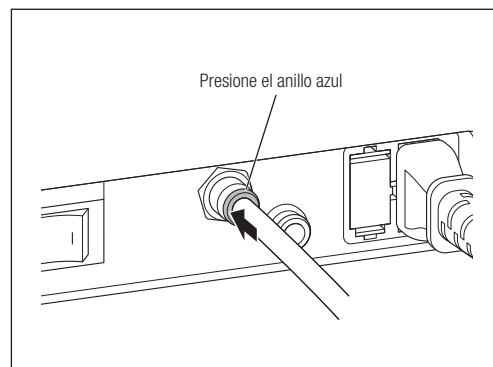


Fig. 3

5-3 Conexión del interruptor del pedal

- 1) Inserte el gancho del interruptor del pedal de manera que encaje correctamente en los agujeros situados en la parte posterior del interruptor del pedal (Fig. 4).
- 2) Inserte la clavija del interruptor del pedal en la toma de conexión del cable del interruptor del pedal con la marca ▲ hacia arriba (Fig. 5).

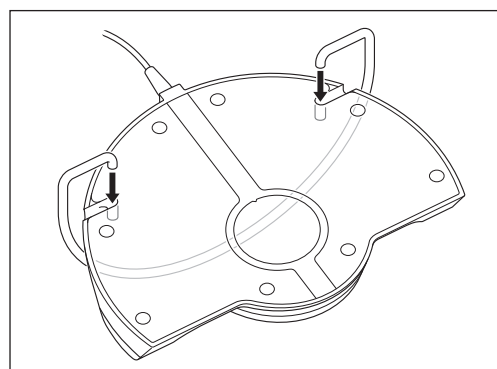


Fig. 4

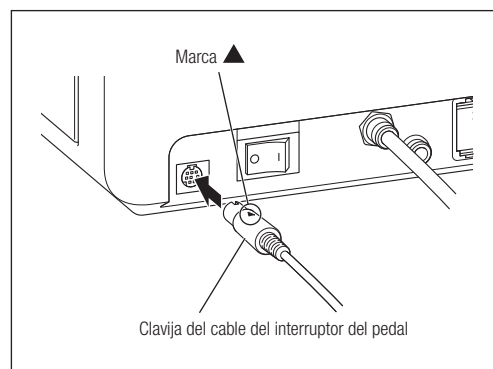


Fig. 5



5-4 Conexión del cable de pieza de mano no apantallado (pieza de mano Ultrasonic)

Conecte el conector del cable de pieza de mano no apantallado en la toma de conexión del cable de pieza de mano no apantallado con la marca ▲ hacia arriba (Fig. 6). Apriételo hasta el fondo.



PRECAUCIÓN

- Compruebe que la clavija del cable de pieza de mano no apantallado esté limpia y seca antes de conectarla.

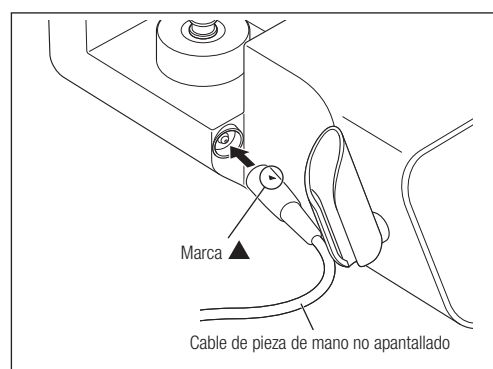


Fig. 6

5-5 Conexión de la manguera de la pieza de mano (pieza de mano Powder)

- 1) Utilice aire para secar la toma de conexión de la manguera de la pieza de mano y el conector de la manguera de la pieza de mano.
- 2) Inserte el conector de la manguera de la pieza de mano de manera que encaje correctamente en el orificio de la toma de conexión de la manguera de la pieza de mano y apriete la tuerca del conector (Fig. 7).

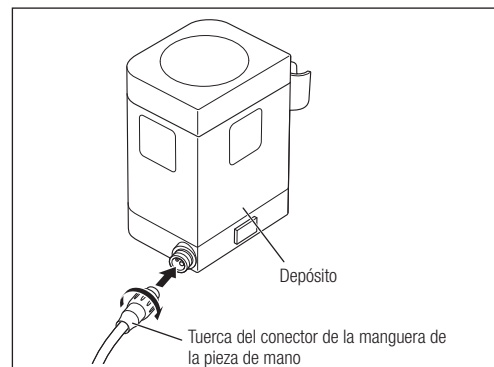


Fig. 7

5-6 Conexión y desconexión de la pieza de mano



- Asegúrese de utilizar únicamente la pieza de mano suministrada.

PRECAUCIÓN



5-6-1 Pieza de mano Ultrasonic

(1) Conexión

Alinee los puntos de la pieza de mano Ultrasonic y de la clavija del cable de pieza de mano no apantallado. Empuje la pieza de mano hacia el conector (Fig. 8).

(2) Desconexión

Sostenga la pieza de mano Ultrasonic y la clavija del cable de pieza de mano no apantallado y extraiga la pieza de mano.

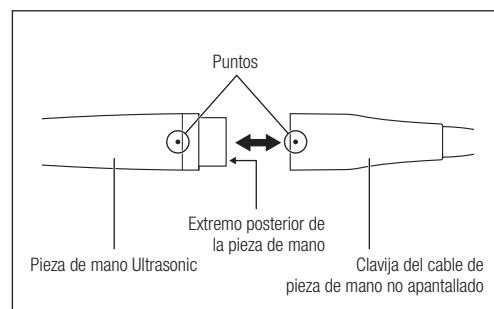


Fig. 8



ADVERTENCIA

- Para evitar descargas eléctricas, no toque las conexiones eléctricas de la parte posterior de la pieza de mano ni el cable de la pieza de mano.



PRECAUCIÓN

- No gire la pieza de mano ni el cable de pieza de mano no apantallado cuando extraiga la pieza de mano. Si lo hace, se podrían dañar los contactos eléctricos del conector, lo que tendría como resultado un mal funcionamiento.
- Antes de conectar el cable de la pieza de mano a la pieza de mano, gire el conector de la pieza de mano hacia un lado para que la luz lo ilumine y compruebe el extremo de la pieza de mano. Si la luz transmitida por el extremo final de la fibra óptica brilla de manera uniforme en el extremo, funciona con normalidad. Si está parcial o totalmente oscuro, puede que el extremo final de la fibra óptica esté agrietado o roto.

5-6-2 Pieza de mano Powder

(1) Conexión

- 1) Utilice aire para secar la conexión entre la pieza de mano y la clavija de la manguera de la pieza de mano.
- 2) Empuje la pieza de mano Powder en posición recta hacia la clavija de la manguera de la pieza de mano (Fig. 9).

(2) Desconexión

Sostenga la pieza de mano Powder y la clavija de la manguera de la pieza de mano y extraiga la pieza de mano.

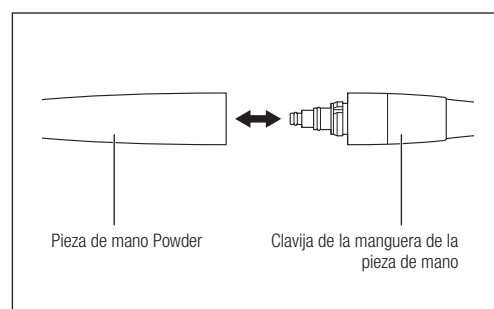


Fig. 9

5-7 Conexión del tubo de agua

- 1) Inserte un extremo del tubo de agua (el extremo con el filtro de agua) hasta el fondo del conector del tubo de agua (Fig. 10).
- 2) Conecte el otro extremo del tubo de agua a la salida de agua de la unidad dental.
- 3) Tire suavemente del tubo de agua para comprobar que este no se sale.
- 4) Para quitar el tubo de agua del conector del tubo de agua, tire del tubo de agua mientras presiona el anillo verde hacia la unidad de control (Fig. 11).

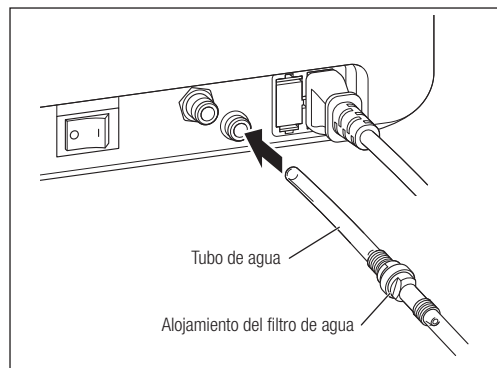


Fig. 10

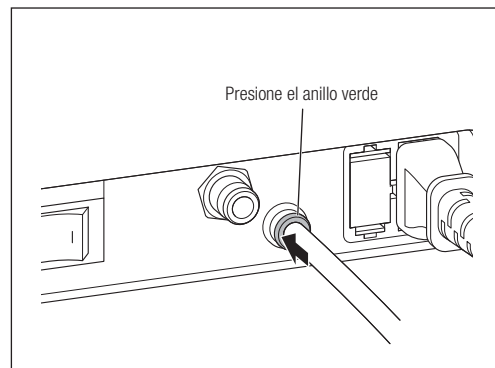


Fig. 11



ADVERTENCIA

- Utilice un descalcificador de agua, etc. para reducir la dureza del agua. Un agua muy dura puede provocar depósitos minerales o de cal en el circuito de agua que pueden producir problemas como un nivel de agua insuficiente, dificultades de funcionamiento o averías. Cuando lo haga, utilice un tubo de agua con un filtro de agua para evitar que se produzcan averías en el dispositivo provocadas por la presencia de material extraño en el agua de grifo. Consulte el apartado "10-3 Cambio del filtro de agua" para sustituir el filtro de agua de forma correcta.



PRECAUCIÓN

- Si la salida de agua de la unidad dental lleva mucho tiempo sin utilizarse, el agua puede contener óxido, etc. cuando circule por primera vez. Asegúrese de que el agua esté limpia antes de conectar el tubo de agua.
- Inserte el tubo de agua firmemente en el conector del tubo de agua cuando lo conecte a la unidad de control. Pueden producirse fugas de agua si el tubo no está insertado correctamente.

6 Verificación antes del tratamiento

Antes de usar el producto con un paciente, verifique el funcionamiento del mismo para confirmar que no presente anomalías en la vibración, ruido, calor, etc. Compruebe también los siguientes aspectos:

- Pieza de mano Ultrasonic: el LED se ilumina y el agua fluye.
- Pieza de mano Powder: el suministro de polvo, aire y agua es correcto.

Si observa algo inusual al verificar o utilizar este producto, deje de usarlo inmediatamente y póngase en contacto con su distribuidor NSK autorizado.

Cuando se lleva a cabo la autolimpieza el agua que encuentra en el interior de la manguera de la pieza de mano se expulsará, lo cual puede ocasionar un retraso en la salida de agua la próxima vez que utilice la unidad de control. Si eso sucede, ajuste el volumen de irrigación a 10 y utilice la pieza de mano durante unos 30 segundos después de que el agua empiece a salir. Consulte la sección "14 Resolución de problemas" si el agua no empieza a salir después de más de 20 segundos, incluso si ha configurado el volumen de irrigación en 10.

7 Uso del modo Ultrasonic

7-1 Configuración del sistema de agua

Uso del recipiente

- 1) Retire la cubierta antipolvo del conector de la base del recipiente de irrigación (Fig. 12).
- 2) Retire la tapa del recipiente de irrigación y rellene con agua o solución desinfectante hasta el nivel deseado.
- 3) Cierre bien la tapa del recipiente de irrigación e inserte en posición recta la junta del recipiente en el conector de la base del recipiente de irrigación (Fig. 13).

Tire del recipiente de irrigación hacia arriba para extraerlo.

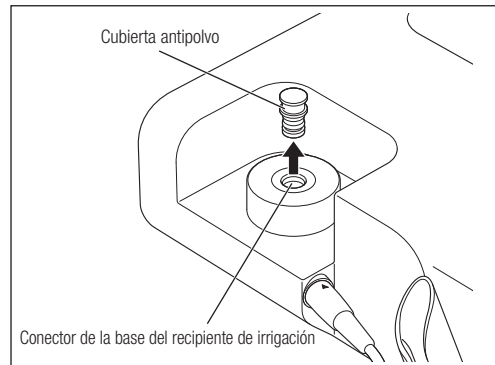


Fig. 12

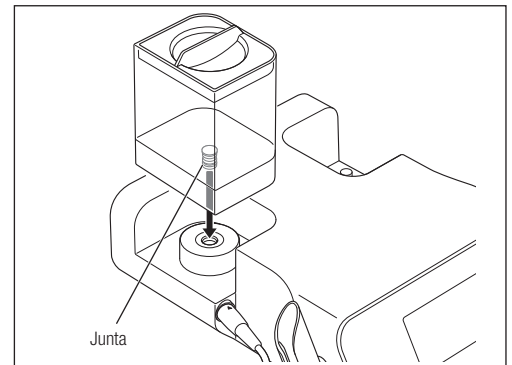


Fig. 13



PRECAUCIÓN

- Utilice únicamente recipientes específicos para la serie Varios Combi Pro.
- Inserte en posición recta el recipiente de irrigación. De lo contrario, pueden producirse daños en la junta tórica.
- Limpie el recipiente de irrigación y la tapa del mismo con agua limpia después de utilizarlos y antes de guardarlos.
- Inserte la cubierta antipolvo en el conector de la base del recipiente de irrigación cuando el recipiente de irrigación no esté montado.
- Asegúrese de que la temperatura del líquido sea inferior a 35 °C.
- No introduzca ácidos fuertes (como agua muy ácida, agua superácida o agua de electrolisis) o agua ácida hipoclorosa en el recipiente de irrigación, ya que pueden causar la obstrucción del agua o corrosión de metal.

Uso de agua de grifo

- 1) Asegúrese de que el tubo de agua esté bien conectado al conector del tubo de agua de la unidad de control. Consulte "5-7 Conexión del tubo de agua" para obtener más información.
- 2) Abra la válvula de agua de la unidad dental y ajuste la presión de agua entre 0,1 y 0,3 MPa (1,0 - 3,0 kgf/cm²). Si la presión de agua supera los 0,3 MPa, utilice la válvula de reducción de presión de agua (opcional) para ajustar la presión de agua al rango especificado. Consulte "20 Lista de piezas opcionales" para obtener más información sobre la válvula de reducción de presión de agua.

7-2 Montaje de la punta

- 1) Compruebe que las piezas roscadas de la pieza de mano y la punta estén limpias (Fig. 14).
- 2) Coloque la punta en el extremo distal de la pieza de mano y enrosque la punta hasta que esté ligeramente apretada (Fig. 15).

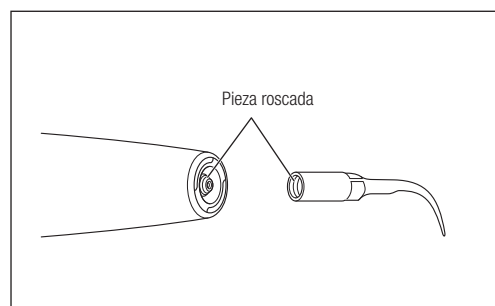


Fig. 14

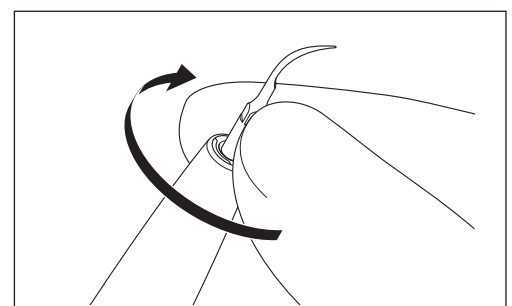


Fig. 15

- 3) Haga coincidir la forma cuadrada de la punta con el orificio de la llave para punta (CR-10) y, a continuación, inserte la punta en el orificio. Gire la llave hasta que haga clic y ya no pueda girar más. Durante este procedimiento, sostenga la pieza de mano de manera que el cable de pieza de mano no apantallado no se retuerza. Para quitar la punta, gire la llave en la dirección de la flecha “Aflojar” (Fig. 16).

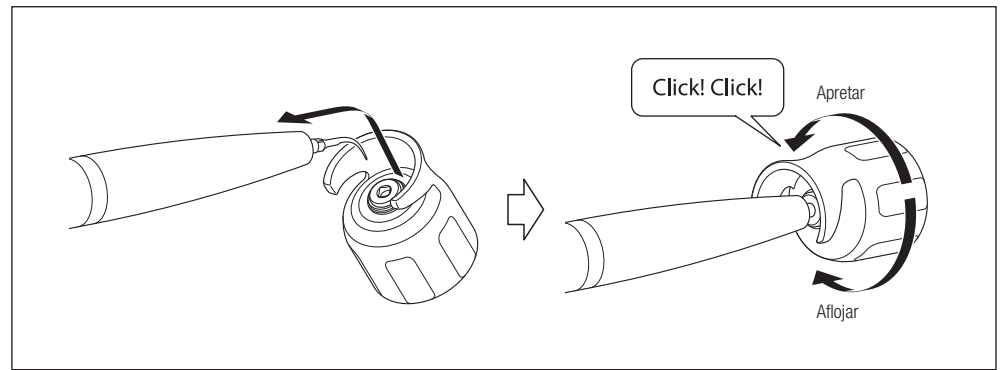


Fig. 16

ADVERTENCIA



- No permita que se produzca contacto con las encías, las mucosas ni la piel. Podrían producirse daños o quemaduras.
- USE SÓLO puntas originales de NSK cuando utilice este producto. Problemas como daños en la pieza de mano, fallos y accidentes derivados del uso de puntas no originales de NSK están excluidos de la garantía. Cuando se utilizan puntas que no son originales de NSK, se pueden producir los siguientes tipos de problemas:
 - Una vibración incorrecta debido a roscas no compatibles.
 - Una ingestión accidental de puntas rotas por parte del paciente.
 - Daño o desgaste prematuro de la rosca de la pieza de mano.

PRECAUCIÓN



- Tenga cuidado de no retorcer el cable de pieza de mano no apantallado cuando apriete la punta.
- Tenga cuidado al insertar o retirar una punta que sea más larga que la llave para punta (CR-10), ya que existe el riesgo de que se produzcan lesiones con la punta.
- No utilice una punta que esté dañada, torcida o corroída, ya que podría romperse durante el uso.
- Para evitar dañar la rosca de la punta o que esta se afloje, asegúrese siempre de que la punta esté insertada en el ángulo correcto y bien apretada.
- Si hay suciedad o restos en la rosca de la punta, limpie la punta inmediatamente. De lo contrario, puede producirse ruido o una vibración insuficiente.
- No intente afilar o doblar una punta, ya que podría romperse durante el uso, provocar ruido o producir una vibración insuficiente.
- La punta es una pieza consumible. Las puntas desgastadas suponen un mayor riesgo de ruido, de rotura o de vibración insuficiente. Sustituya la punta si se produce ruido o una vibración insuficiente.
- Utilice la llave para punta (CR-10) suministrada para montar la punta. Gire la llave hasta que haga clic y ya no pueda girar más. Si la punta no está bien apretada, puede producirse ruido o una vibración insuficiente.
- Cuando inserte una punta, lleve siempre guantes quirúrgicos estériles y utilice una punta, pieza de mano y llave para punta (CR-10) esterilizadas.
- Asegúrese de que la potencia no supere el nivel de potencia recomendado. De lo contrario, podría producirse ruido, la rotura de la punta o lesiones en el paciente.
- No utilice puntas que no estén diseñadas para retirar coronas metálicas o protésicas para este fin. De lo contrario, la punta podría romperse y caer en la boca del paciente.
- Extraiga la punta antes de insertar o extraer la pieza de mano o el cable de pieza de mano no apantallado para evitar lesiones con la punta.
- Si se observa una vibración insuficiente durante el funcionamiento, extraiga la pieza de mano de la boca del paciente y vuelva a pulsar el interruptor del pedal. Si la vibración sigue siendo insuficiente, puede que la punta se haya aflojado durante el uso. Compruebe que la punta esté insertada correctamente.
- Si la punta está floja, produce ruido o no vibra lo suficiente pese a haberse apretado hasta hacer clic, es posible que la llave para punta (CR-10) esté desgastada. La llave para punta (CR-10) es una pieza consumible y debe sustituirse una vez al año.

■ Uso de la tarjeta de la punta

PRECAUCIÓN

- Las puntas se desgastan. Utilice la tarjeta de la punta para comprobar el estado de la punta y sustituya esta última si fuera necesario.

Coloque el cuello de la punta en el corte de la tarjeta de la punta. Mida la longitud de la punta y compruebe si ha de sustituirse (Fig. 17). Para garantizar un uso seguro y efectivo, se recomienda sustituir las puntas cuando alcancen la línea amarilla (desgaste de 1 mm).

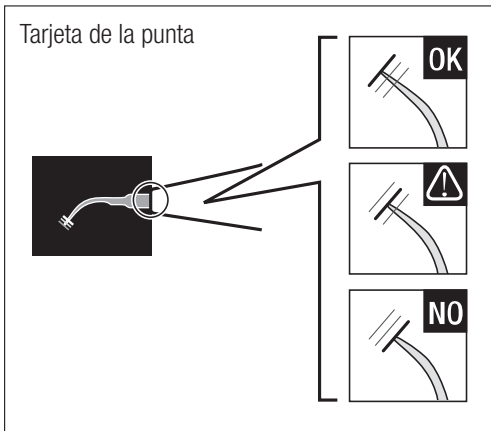


Fig. 17

Verde: No hay desgaste: la punta está en buen estado. No es necesario cambiarla.

Amarillo: Desgaste de 1 mm: la punta está un poco desgastada. Se recomienda cambiarla.

Rojo: Desgaste de 2 mm: la punta está muy desgastada. Es necesario cambiarla.

PRECAUCIÓN

- Las puntas son piezas consumibles. La eficiencia del escariado dental disminuye aproximadamente en un 25 % cuando la superficie de la punta tiene un desgaste de un 1 mm y aproximadamente en un 50 % cuando el desgaste es de 2 mm. Además, la vibración varía debido al desgaste, lo que puede dañar la superficie de los dientes del paciente. Compruebe periódicamente el estado del desgaste de la punta utilizando la tarjeta de la punta, y sustitúyala por una nueva en el momento adecuado.

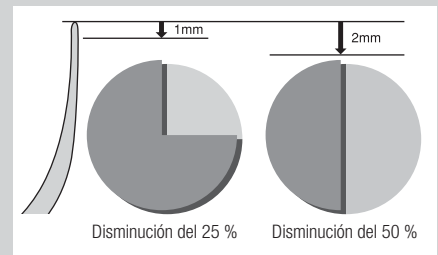


Fig. 18

7-3 Configuración del nivel de potencia

- Toque la tecla de selección del modo Ultrasonic para seleccionar el modo. El modo seleccionado aparece en el panel LCD como P/E/G (Fig. 19).
- Toque la tecla de nivel de potencia (▲/▼) para ajustar el nivel de potencia. La pantalla de nivel de potencia y el indicador de nivel de potencia aumentan o disminuyen de acuerdo con el nivel seleccionado (Fig. 20).

PRECAUCIÓN

- Asegúrese de que la potencia no supere el nivel de potencia recomendado. (Consulte la "Guía de potencia de la punta" o la "Guía de la punta" suministrada para conocer la potencia máxima de cada punta.)

IMPORTANTE

- Mantenga pulsada la tecla de nivel de potencia para aumentar o disminuir el nivel de potencia continuamente. Se oye una alarma cuando se alcanza el nivel máximo o mínimo.
- Para irrigar sin que la punta vibre, ajuste el nivel de potencia a "0 (cero)" y el volumen de irrigación a 1 bar o más.

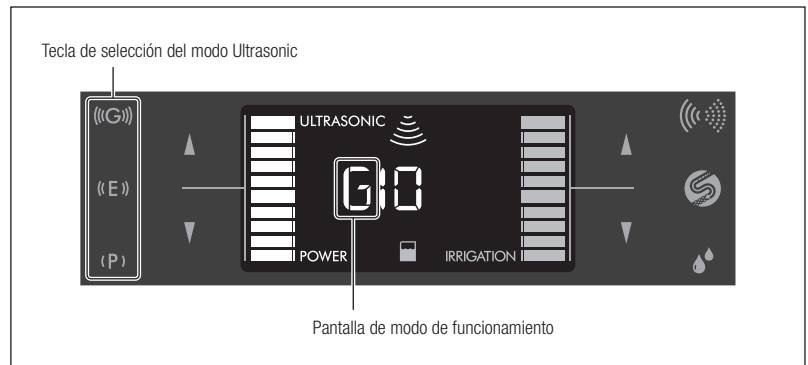


Fig. 19

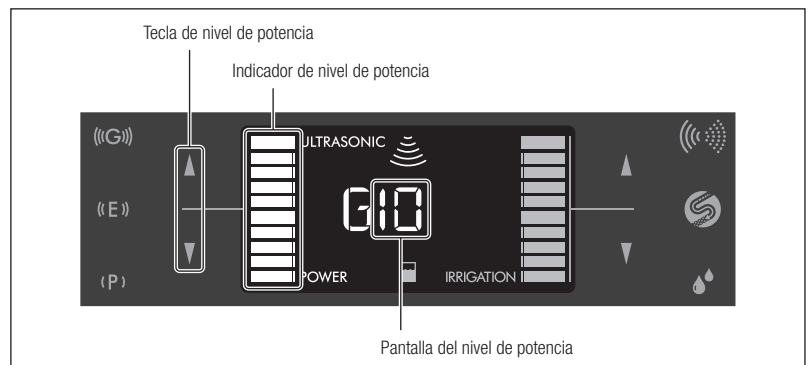


Fig. 20

7-4 Configuración de irrigación

Toque la tecla de selección del modo de irrigación para seleccionar el modo de irrigación (agua del recipiente o de grifo). El modo seleccionado aparece en el panel LCD como un icono (Fig. 21).

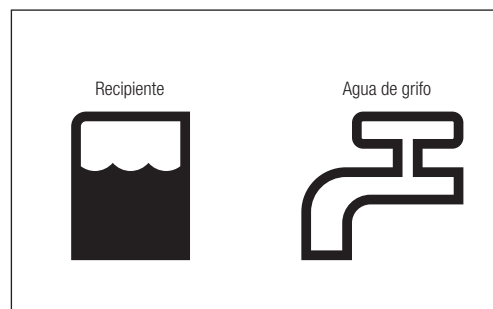


Fig. 21

7-5 Funcionamiento

- 1) Pulse el botón deseado en el interruptor del pedal. Se oye un pitido, la punta empieza a vibrar y el LED de la pieza de mano se ilumina.
- 2) Ajuste el volumen de irrigación tocando las teclas de volumen de irrigación (▲/▼) mientras comprueba la irrigación en la punta.

PRECAUCIÓN



- Como medida de seguridad, este producto no funciona cuando el botón de encendido está activado mientras el interruptor del pedal está pulsado. En ese caso, se oye una alarma y la pantalla del modo Ultrasonic (P/E/G) y "ULTRASONIC" parpadean alternativamente. Suelte el interruptor del pedal y vuelva a presionarlo.
- Utilice siempre irrigación. Si la irrigación no es suficiente, la pieza de mano se sobrecalentará, lo que puede producir lesiones en la superficie de los dientes del paciente.
- Antes del uso, compruebe que se pulverice agua limpia adecuadamente.
- Puede que el agua no se pulverice correctamente si el volumen de irrigación está configurado a un nivel bajo. En ese caso, aumente temporalmente el volumen de irrigación y pulse el interruptor del pedal. Compruebe que el agua se pulverice correctamente por la punta y ajuste de nuevo el volumen de irrigación.
- No gire a la fuerza el soporte de la pieza de mano, ya que podría dañarlo.

IMPORTANTE

- El LED de la pieza de mano permanece encendido durante unos 5 segundos después de soltar el interruptor del pedal (función de Posluminiscencia).
- Los ajustes del modo Ultrasonic, nivel de potencia, modo de irrigación y volumen de irrigación se almacenan después de apagar la alimentación y vuelven a aplicarse al volver a encenderla (función de Últimos ajustes memorizados).
- Si el volumen de irrigación es demasiado bajo (con el volumen de irrigación configurado en 10) o demasiado alto (con el volumen de irrigación configurado en 1), cuando el modo de irrigación esté configurado en agua de grifo, ajuste el nivel de irrigación básico. Consulte "11-3 Ajuste del nivel de agua básico" para obtener más información.
- Puede que se emita un zumbido, pero eso no indica que exista un mal funcionamiento.

■ Durante el funcionamiento de la pieza de mano:

Puede: ajustar el nivel de potencia y el volumen de irrigación.

No puede: cambiar los ajustes del modo Ultrasonic o el modo de irrigación ni realizar la autolimpieza.

7-6 Después del tratamiento

Después de utilizar el dispositivo con cada paciente, realice un mantenimiento. Consulte "9 Mantenimiento" para obtener más información.

PRECAUCIÓN



- Este producto puede tener un funcionamiento incorrecto si no se realiza un mantenimiento adecuado.

7-7 Circuito de protección

Este producto puede sobrecalentarse internamente si la unidad de control se utiliza a un nivel de potencia 8 o superior en el modo G durante un periodo de tiempo prolongado. En ese caso, el circuito de protección reduce la potencia automáticamente (potencia 7). El indicador del diagrama de barras parpadea del nivel 8 al 10 (Fig. 22). El indicador deja de parpadear cuando se activa el circuito de protección. Sin embargo, en este caso el nivel de potencia no aumenta automáticamente. Aumente manualmente el nivel de potencia si fuera necesario.

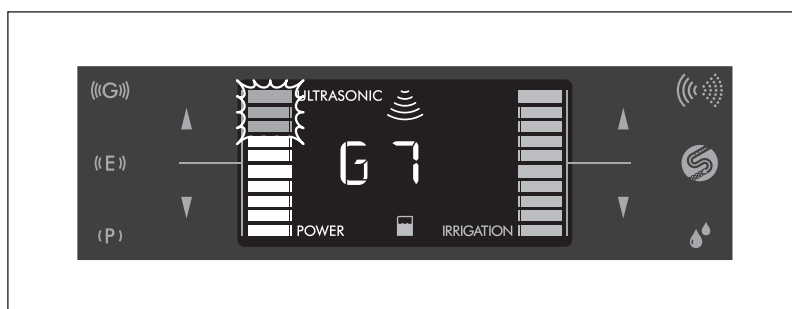


Fig. 22

IMPORTANTE

- El nivel de potencia no puede aumentarse a 8 o más cuando se ha activado el circuito de protección (cuando el indicador del diagrama de barras está parpadeando).
- El indicador del diagrama de barras deja de parpadear cuando el nivel de potencia disminuye por debajo de 7. Empieza a parpadear de nuevo si el nivel de potencia se aumenta a 7 mientras la función del circuito de protección está activa.

8 Uso del modo Powder

Para usar el modo Perio, debe adquirirse por separado el kit Perio opcional. Consulte "20 Lista de piezas opcionales" para obtener más información sobre el kit Perio.

8-1 Configuración del sistema de agua

- 1) Asegúrese de que el tubo de agua esté bien conectado al conector del tubo de agua de la unidad de control. Consulte "5-7 Conexión del tubo de agua" para obtener más información.
- 2) Abra la válvula de agua de la unidad dental y ajuste la presión de agua entre 0,1 y 0,3 MPa (1,0 - 3,0 kgf/cm²). Si la presión de agua supera los 0,3 MPa, utilice la válvula de reducción de presión de agua (opcional) para ajustar la presión de agua al rango especificado. Consulte "20 Lista de piezas opcionales" para obtener más información sobre la válvula de reducción de presión de agua.



- Utilice solamente agua potable para la irrigación.

PRECAUCIÓN

8-2 Preparación del polvo

- 1) Seleccione el depósito y el polvo que va a utilizar con este modo. Rellene el depósito con polvo hasta la línea "MAX" (aproximadamente 80 g de FLASH pearl o 50 g de polvo Perio Mate) (Fig. 23).

Modo	Depósito	Polvo
Modo Prophy	Para uso de Prophy	FLASH pearl
Modo Perio	Para uso de Perio	Polvo Perio Mate

- 2) Cierre bien la tapa del depósito hasta que ajuste perfectamente e inserte el depósito en la unidad de control, en posición recta (Fig. 24). El tipo de depósito insertado aparece en el panel LCD como uno de los siguientes iconos (Fig. 25).

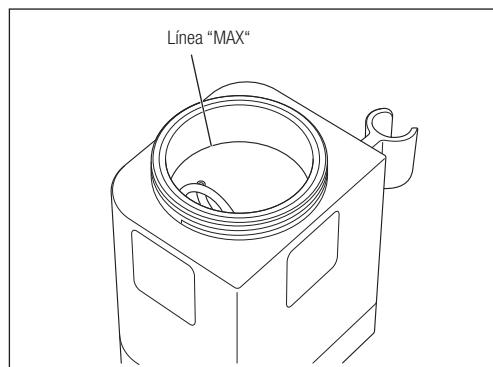


Fig. 23

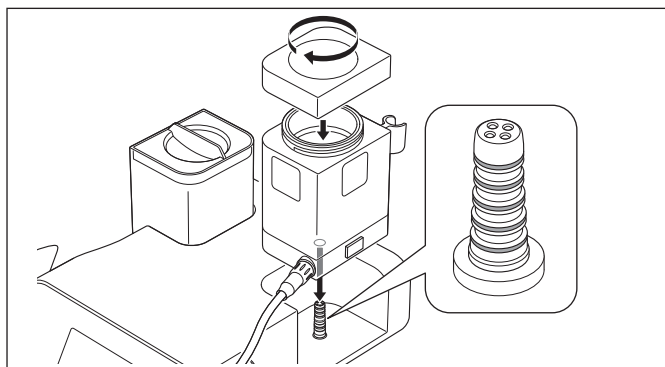


Fig. 24

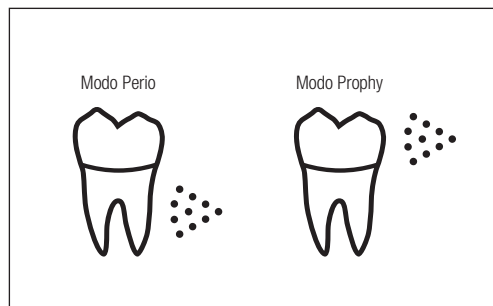


Fig. 25



ADVERTENCIA

- Utilice únicamente el polvo indicado. El uso de otros polvos puede causar un fallo del producto, dañar los dientes o provocar enfisema. Además, puede provocar una reducción del rendimiento del producto. Declinamos cualquier responsabilidad por problemas derivados del uso de polvos distintos al indicado.



PRECAUCIÓN

- Ajuste firmemente la tapa del depósito para evitar que salga despedida, lo que puede provocar una lesión (Fig.26).
- Antes de insertar el depósito en la unidad de control, asegúrese de que las juntas tóricas del conector de la base del depósito no están dañadas o rotas (Fig. 24). Los daños/roturas pueden provocar un mal funcionamiento.
- Inserte el depósito en la unidad de control en posición recta. Si lo inserta en posición inclinada podría dañar las juntas tóricas y provocar un mal funcionamiento.
- Si se introduce demasiado polvo de limpieza en el depósito, es posible que no se pueda pulverizar la cantidad adecuada inmediatamente después de comenzar a usarlo.
- No utilice polvo sobrante o que se haya guardado en un paquete abierto. Si lo hace, puede obstruirse la boquilla. No mezcle polvo sobrante con polvo nuevo.
- Antes de insertar el depósito compruebe si el conector de la base del depósito tiene agua, etc. y séquelo si está húmedo. De lo contrario podría producirse una obstrucción de polvo.
- No utilice polvo descolorido.
- Asegúrese siempre de cerrar bien la tapa del envase de polvo. De lo contrario, atraerá la humedad, lo que puede provocar obstrucciones.
- Si se adhiere polvo al depósito y/o a la tapa del depósito, límpielo inmediatamente. En caso contrario, resultará más difícil cerrar la tapa.
- No le dé la vuelta al depósito si tiene polvo en su interior. Si lo hace, producirá una obstrucción de polvo.



Fig. 26

PRECAUCIÓN

- Como medida de seguridad, este producto no funciona si se pulsa el interruptor del pedal cuando el depósito no está correctamente montado. Se oye una alarma y el icono de diente y "POWDER" parpadean alternativamente. Monte el depósito correctamente.
- El polvo Perio Mate (opcional) se esparce fácilmente porque sus partículas son muy finas. Rellene el depósito lentamente para evitar que el polvo se disperse y tenga cuidado de no ingerir polvo o que este le entre en los ojos.
- El FLASH pearl es prácticamente insoluble en el agua. Para evitar que los conductos se obstruyan cuando utilice FLASH pearl, es necesario realizar una limpieza y mantenimiento periódicos de la cánula de aspiración, el eyector de saliva y el separador.



8-3 Inserción/extracción de la punta de la boquilla

8-3-1 Inserción de la punta de la boquilla

Inserte la punta de la boquilla (opcional) correcta y firmemente en la boquilla de la pieza de mano Powder (para uso de Perio) (Fig. 27).

ADVERTENCIA

- No use una punta de la boquilla deformada o dañada. Puede desmontarse durante el uso.

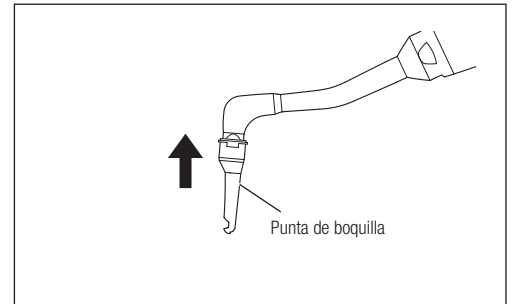


Fig. 27

PRECAUCIÓN

- Asegúrese de insertar la punta de la boquilla correcta y firmemente tal y como se muestra en la ilustración (Fig. 28). Si la punta se inserta de forma incorrecta, se caerá y podría ser ingerida accidentalmente por el paciente.
- Cuando inserte una punta de boquilla en la pieza de mano Powder, utilice siempre guantes quirúrgicos estériles y asegúrese de que la pieza de mano Powder esté esterilizada.

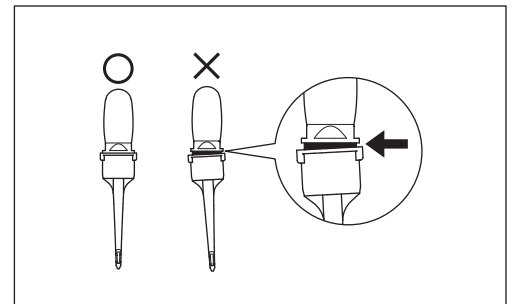


Fig. 28

8-3-2 Extracción de la punta de la boquilla

Use la llave de punta de boquilla (opcional) para extraer la punta de la boquilla (Fig. 29) y elimine la punta de la boquilla una vez extraída.

ADVERTENCIA

- La punta de la boquilla solo puede utilizarse una vez. No reutilice ni esterilice la punta de la boquilla, ya que podría estar dañada o contaminada. Si la punta de la boquilla se reutiliza, es posible que no funcione correctamente por haberse deformado al extraerla, o que se desmonte durante el uso y el paciente la ingiera accidentalmente. Lo mismo se aplica a una punta que se haya desmontado accidentalmente.

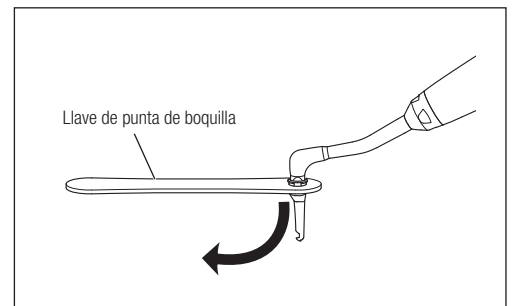


Fig. 29

8-4 Configuración del nivel de potencia

Toque las teclas de nivel de potencia (▲/▼) para ajustar el nivel de potencia. La pantalla de nivel de potencia y el indicador de nivel de potencia aumentan o disminuyen de acuerdo con el nivel de potencia seleccionado (Fig. 30).

- Si especifica este ajuste sin montar el depósito, se establece el nivel de potencia que se utiliza en el modo Prophy.

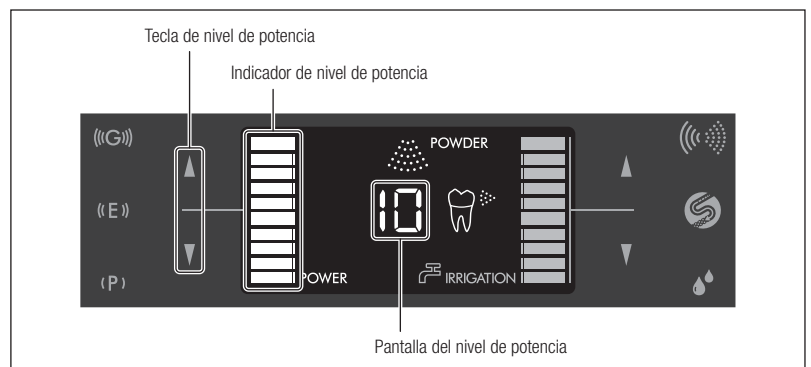


Fig. 30

8-5 Configuración de irrigación

- 1) Toque las teclas de volumen de irrigación (▲/▼) para ajustar el volumen de irrigación.
- 2) Pulse el interruptor del pedal para pulverizar polvo en una escupidera, etc. a fin de comprobar que se pulverice adecuadamente polvo, aire y agua.
- 3) Ajuste el volumen de irrigación mientras comprueba la irrigación en la boquilla.

- IMPORTANTE**
- Si el volumen de irrigación es demasiado bajo (con el volumen de irrigación configurado en 10) o demasiado alto (con el volumen de irrigación configurado en 1), ajuste el nivel de irrigación básico. Consulte “11-3 Ajuste del nivel de agua básico” para obtener más información.
 - Si lleva a cabo el ajuste sin montar el depósito, se establece el flujo de irrigación que se utiliza en el modo Prophy.

8-6 Funcionamiento

Se suministra polvo, agua y aire al pulsar el botón D del interruptor del pedal. Se suministra agua y aire al pulsar el botón B del interruptor del pedal. Consulte las instrucciones de funcionamiento que se describen en “8-6-1 Uso del modo Prophy” y “8-6-2 Uso del modo Perio”.

 **ADVERTENCIA**

- Nunca pulverice polvo hacia el cuerpo de una persona, a excepción de la superficie de los dientes de un paciente, ni a un operario o asistente.
- Deje de utilizar el producto de inmediato si la manguera se hincha o se producen fugas de aire o polvo en las conexiones entre el depósito y la manguera durante el uso.
- Pulverice agua mientras utilice este producto.
- Utilice un aspirador (y un eyector de saliva si fuera necesario) para evitar que el paciente trague una gran cantidad de polvo. Evite el uso continuado durante periodos prolongados de tiempo e indique al paciente que se enjuague cuando lo estime oportuno.

 **PRECAUCIÓN**

- Como medida de seguridad, este producto no se enciende cuando el botón de encendido está activado mientras el interruptor del pedal está pulsado. Se oye una alarma y el icono de diente y “POWDER” parpadean alternativamente. Suelte el interruptor del pedal y, a continuación, vuelva a presionarlo.
- Antes del tratamiento, ajuste el nivel de potencia y el nivel de irrigación antes de comenzar con el paciente.
- Disminuya el nivel de potencia cuando esté tratando los márgenes de las encías.
- No pulverice verticalmente sobre la superficie dental.
- Mantenga la distancia entre la punta de la boquilla de la pieza de mano y la superficie dental indicada en “8-6-1 Uso del modo Prophy” y “8-6-2 Uso del modo Perio”.
- No gire a la fuerza el soporte de la pieza de mano, ya que podría dañarlo.

- IMPORTANTE**
- Puede que se emita un zumbido, pero eso no indica que exista un mal funcionamiento.



8-6-1 Uso del modo Prophy

Mantenga la boquilla a una distancia de 3 - 5 mm de la superficie dental y en un ángulo de 10 - 60 grados (Fig. 31).

 **ADVERTENCIA**

- No apunte nunca hacia tejido blando, las encías o la zona subgingival.

 **PRECAUCIÓN**

- Pulverice desde la raíz hasta el borde incisal del diente.

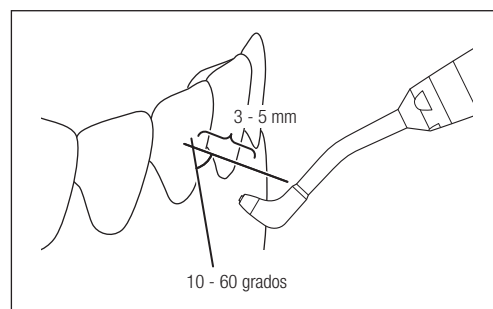


Fig. 31



8-6-2 Uso del modo Perio

■ Uso con la punta de la boquilla

Inserte la punta de la boquilla a una profundidad superior a 3 mm en la bolsa periodontal (Fig. 32).

Es posible que el polvo no se pulverice de forma eficiente en la bolsa periodontal si la profundidad es inferior a 3 mm.

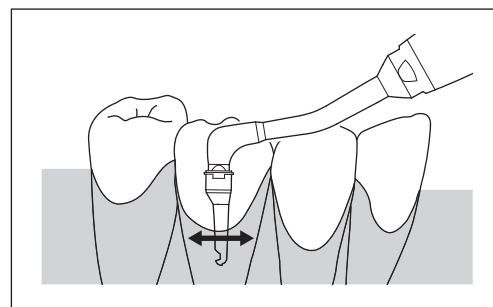


Fig. 32

■ Uso sin la punta de la boquilla

Extraiga la punta de la boquilla de la boquilla de la pieza de mano para eliminar la placa de la zona supragingival y el margen gingival, o para eliminar biopelícula y manchas leves. Mantenga la boquilla a una distancia de 5 - 10 mm de la superficie dental y en un ángulo de 30 - 60 grados (Fig. 33). No apunte nunca con la boquilla directamente hacia la membrana mucosa oral ni en las bolsas periodontales.

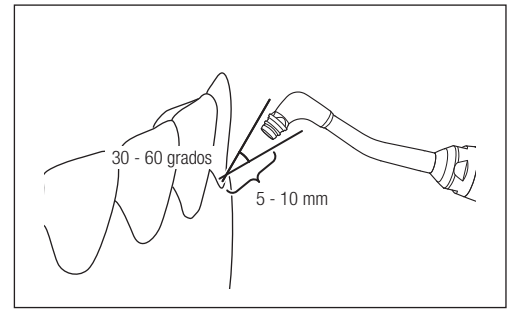


Fig. 33



ADVERTENCIA

- Cuando utilice el producto sin la punta de la boquilla, nunca apunte hacia la membrana mucosa oral.
- No utilice este producto en una zona inmediatamente después de un tratamiento de esariado de una superficie dental en una bolsa periodontal. Si lo hace, podría producirse bacteriemia.
- No inserte más de una vez la punta de la boquilla en la misma bolsa periodontal durante el mismo tratamiento.
- El polvo puede pulverizarse durante 5 segundos como máximo en la misma bolsa periodontal (20 segundos como máximo por pieza dental). No pulverice polvo durante más tiempo del especificado.
- No fuerce la punta de la boquilla para introducirla en la bolsa periodontal.
- No pulverice polvo mientras el extremo de la punta de la boquilla esté situado en la parte inferior de una bolsa periodontal. Si lo hace, podría provocar un enfisema.
- No utilice la punta de la boquilla más que en bolsas periodontales.
- Si se configura el nivel de potencia demasiado alto, puede producirse enfisema. Ajuste el nivel de potencia a un nivel adecuado al tiempo que comprueba el estado del paciente.



PRECAUCIÓN

- La alarma audible se oye cada 5 segundos cuando se utiliza el modo Perio.
- En el modo Perio, el nivel de potencia se reduce automáticamente a un nivel menor en comparación con el mismo ajuste para el modo Prophy.

8-6-3 Durante el funcionamiento de la pieza de mano

Puede: ajustar el nivel de potencia y el volumen de agua.

No puede: cambiar los ajustes del modo de irrigación ni realizar la autolimpieza.

8-6-4 Descarga de la presión residual

Es posible que la tapa del depósito no se abra fácilmente tras el uso del dispositivo debido al aumento de presión de aire dentro del depósito que se genera durante cada operación. Descargue la presión residual del depósito antes de añadir polvo en el mismo o extraer el depósito de la unidad de control.



PRECAUCIÓN

- Los restos de polvo y agua son expulsados de la pieza de mano al descargar la presión residual. Prepare un recipiente, como un vaso, para recoger los restos de polvo y agua.

- 1) Extraiga la pieza de mano Powder del soporte de la pieza de mano.
- 2) Coloque la pieza de mano en el recipiente para recoger los restos de polvo y agua.
- 3) Mantenga pulsada la tecla de autolimpieza durante 1 segundo aproximadamente. Se oirán pitidos y la presión residual comenzará a descargarse.
- 4) La operación se detiene una vez descargada toda la presión residual del depósito.

8-7 Después del tratamiento

Después de utilizar el dispositivo con cada paciente, realice un mantenimiento. Consulte "9 Mantenimiento" para obtener más información. Si la punta de la boquilla (opcional) está insertada en la boquilla, extraícala y deséchela antes de proceder con el mantenimiento.



PRECAUCIÓN

- La falta de mantenimiento puede tener como resultado un mal funcionamiento.

IMPORTANTE

- Los ajustes del nivel de potencia y modo de irrigación se guardan después de apagar la alimentación (función de Últimos ajustes memorizados).

9 Mantenimiento

Después de utilizar el dispositivo con cada paciente, realice el siguiente mantenimiento.



- La falta de mantenimiento puede tener como resultado un mal funcionamiento.

PRECAUCIÓN



9-1 Pieza de mano Ultrasonic

9-1-1 Autolimpieza



- Durante la autolimpieza, sale agua de la pieza de mano. Realice la operación de limpieza tras colocar la pieza de mano en un vaso.

PRECAUCIÓN

- 1) Extraiga la pieza de mano Ultrasonic del soporte de la pieza de mano y quite la punta de la pieza de mano.
- 2) Extraiga el recipiente de irrigación y enjuague el interior con agua corriente. Cuando se seleccione el agua de grifo para el modo de irrigación, abra la válvula de agua de la fuente de irrigación.
- 3) Rellene más de la mitad del recipiente de irrigación con agua destilada o purificada. (No use solución salina).
- 4) Cierre bien la tapa.
- 5) Inserte en posición recta el recipiente en el conector de la base del recipiente de irrigación. Pueden producirse fugas de agua si el recipiente no está insertado correctamente.
- 6) Coloque la punta de la pieza de mano en el recipiente para recoger los restos de agua.
- 7) Mantenga pulsada la tecla de autolimpieza durante 3 segundos aproximadamente para iniciar la autolimpieza. La operación de autolimpieza tarda aproximadamente 45 segundos. Durante la autolimpieza aparece "AC" en el panel LCD, y el tiempo restante aproximado se muestra en el indicador del diagrama de barras (Fig. 34).
- 8) Cuando la operación de autolimpieza se completa, la unidad de control regresa a la configuración anterior a la limpieza.
- 9) Extraiga el recipiente de irrigación. Enjuague el recipiente de irrigación y la tapa con agua corriente y deje que se sequen.

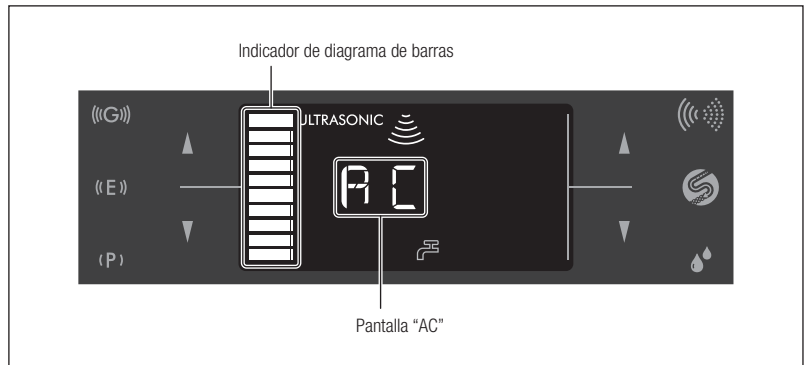


Fig. 34

Para detener la autolimpieza, vuelva a tocar la tecla de autolimpieza.



PRECAUCIÓN

- Después de cada uso, realice una autolimpieza (limpieza del tubo de irrigación). Si el sistema no se limpia, el interior del tubo de irrigación puede obstruirse o algunas piezas metálicas pueden oxidarse.
- Utilice agua destilada o purificada para rellenar el recipiente de irrigación. El uso de agua impura puede provocar la obstrucción del tubo de irrigación.
- Asegúrese de que la pieza de mano y el cable de pieza de mano no apantallado estén firmemente conectados.

IMPORTANTE • Durante la autolimpieza, el LED de la pieza de mano no se ilumina.

9-1-2 Limpieza de la pieza de mano

- 1) Retire cualquier suciedad y resto del producto. NO utilice un cepillo de alambre.
- 2) Limpie con un paño impregnado en etanol o etanol con alcohol isopropílico.

 Este icono muestra que el producto puede lavarse con un termo-desinfectante.

Esta operación solo está confirmada para el modelo GETINGE WD46-4.
Consulte el manual del termo-desinfectante.

PRECAUCIÓN

- Tenga cuidado de no golpear la punta de la pieza de mano contra ningún objeto cuando la esté limpiando, ya que podría dañar la varilla de vidrio.
- Después de limpiar la pieza de mano con termo-desinfectante, séquela a fondo y retire el agua del interior.
- Nunca utilice disolventes como bencina o diluyente para limpiar.
- Utilice etanol o etanol con alcohol isopropílico para limpiar la superficie de la pieza de mano. El uso de otros productos químicos puede ocasionar decoloración, grietas, etc. en la pieza de mano.

9-1-3 Limpieza (Óptica)

Limpie la punta de la varilla de vidrio con un hisopo de algodón impregnado en alcohol. Elimine toda la suciedad y restos (Fig. 35).

PRECAUCIÓN

- NO utilice una herramienta afilada para limpiar la varilla de vidrio. Si lo hace, podría dañar el vidrio y reducir la transmisión de la luz.

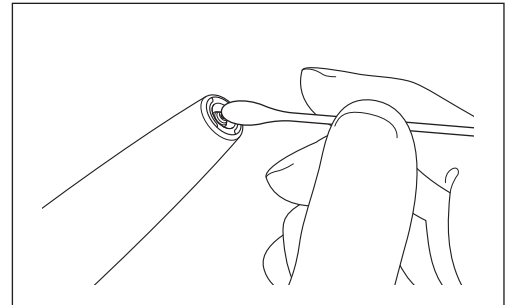


Fig. 35

9-1-4 Limpieza del cable de la pieza de mano

Desmonte la pieza de mano después de su uso con cada paciente y límpiela tal y como se describe a continuación.

- 1) Limpie la superficie del cable de la pieza de mano con un paño impregnado en alcohol.
- 2) Limpie con cuidado la clavija del cable de la pieza de mano con un hisopo de algodón impregnado en alcohol.
Si le resulta difícil utilizar un hisopo de algodón, límpiela con cuidado con una toallita enrollada a un objeto con punta.

PRECAUCIÓN

- No utilice un palo muy puntiagudo ni presione la pieza de conexión cuando limpie la clavija del cable de la pieza de mano. De lo contrario podría ocasionar daños y provocar un fallo de contacto (Fig. 36).

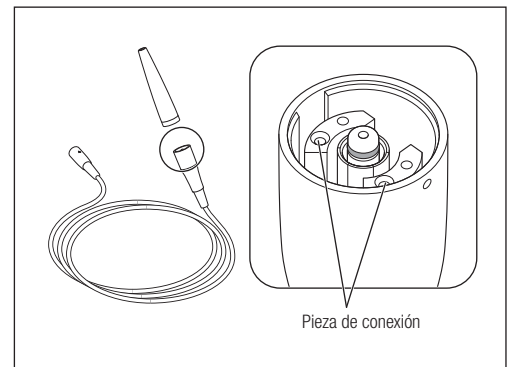


Fig. 36

9-2 Pieza de mano Powder

9-2-1 Autolimpieza

PRECAUCIÓN

- Durante la autolimpieza, sale agua de la pieza de mano. Realice la operación de limpieza tras colocar la pieza de mano en un vaso.

- 1) Extraiga la pieza de mano Powder del soporte de la pieza de mano. Para la pieza de mano Powder (para uso de Perio), extraiga la punta de la boquilla de la pieza de mano.
- 2) Coloque la punta de la pieza de mano en el recipiente para recoger los restos de agua.
- 3) Mantenga pulsada la tecla de autolimpieza durante 3 segundos aproximadamente para iniciar la autolimpieza.
- 4) Se pulveriza primero agua y aire para limpiar los restos de polvo.
- 5) A continuación, se pulveriza solo aire para expulsar el agua restante.
- 6) La operación de autolimpieza tarda aproximadamente 45 segundos. Durante la autolimpieza aparece "AC" en el panel LCD, y el tiempo restante aproximado se muestra en el indicador del diagrama de barras (Fig. 37).
- 7) Cuando la operación de autolimpieza se completa, la unidad de control regresa a la configuración anterior a la limpieza.

Para detener la autolimpieza, vuelva a tocar la tecla de autolimpieza.

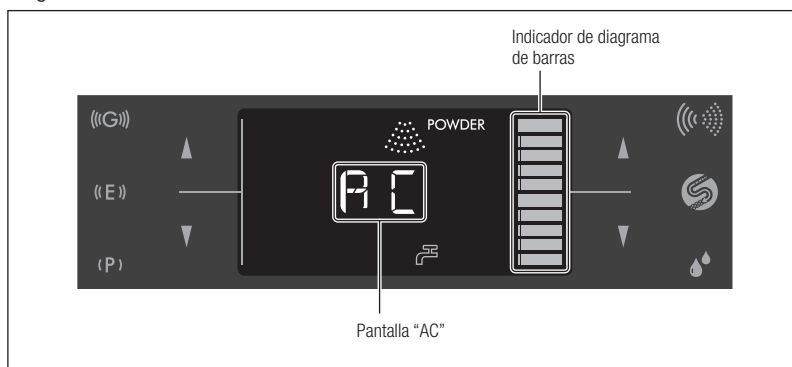


Fig. 37

9-2-2 Limpieza (Pieza de mano)

- 1) Retire la pieza de mano de la manguera.
- 2) Retire cualquier suciedad y resto del producto. NO utilice un cepillo de alambre.
- 3) Utilice la escobilla para limpieza suministrada para retirar el polvo de la sección interior donde la pieza de mano estaba conectada (Fig. 38).
- 4) Limpie la pieza de mano con un paño impregnado en alcohol.

 Este icono muestra que el producto puede lavarse con un termo-desinfectante.

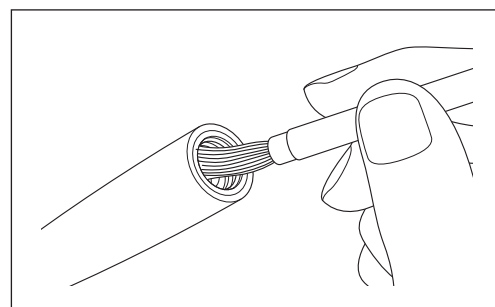


Fig. 38

Esta operación solo está confirmada para el modelo GETINGE WD46-4. Consulte el manual del termo-desinfectante.

ADVERTENCIA

- Asegúrese de limpiar el interior de la pieza de mano después de cada uso. Los restos de polvo en la pieza de mano pueden solidificarse, lo que provoca obstrucciones.

PRECAUCIÓN

- Después de limpiar con termo-desinfectante, seque el producto hasta que toda la humedad interior haya desaparecido por completo.
- Nunca utilice disolventes como bencina o diluyente para limpiar el producto.

9-2-3 Limpieza ultrasónica

PRECAUCIÓN

- Asegúrese de realizar la limpieza ultrasónica al menos una vez a la semana para evitar que el polvo se obstruya. Realice la limpieza ultrasónica antes de la autolimpieza o después de haber intentado las soluciones descritas en “14 Resolución de problemas”.

- 1) Con la llave de aro suministrada en el extremo de la boquilla, afloje la boquilla y extráigala de la pieza de mano (Fig. 39).
- 2) Realice la limpieza ultrasónica con agua caliente (30 - 50°C) en la pieza de mano y la boquilla.
- 3) Una vez finalizada, utilice aire para secar todas las piezas.
- 4) Vuelve a montar la pieza de mano siguiendo el procedimiento del paso 1 pero a la inversa.
- 5) Conecte la pieza de mano y la manguera y realice la autolimpieza.

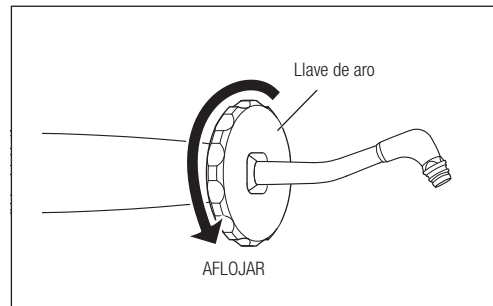


Fig. 39

PRECAUCIÓN

- Al colocar la boquilla, enrosque esta manualmente a la pieza de mano y, a continuación, apriétela con la llave de aro suministrada.
- Tras la limpieza ultrasónica, realice la operación de autolimpieza para expulsar cualquier resto de agua del interior y deje que las piezas se sequen antes de usarlas.
- Para evitar que la boquilla se deforme, utilice siempre la llave de aro suministrada para insertar y extraer la boquilla. La boquilla podría deformarse si la coloca sosteniéndola por el extremo.
- La pieza de mano Ultrasonic no puede limpiarse mediante la limpieza ultrasónica.

9-3 Esterilización

Este producto debe esterilizarse con autoclave. Tras utilizar el producto con cada paciente, es necesario realizar una esterilización con autoclave tal y como se describe a continuación.

Componentes que pueden esterilizarse con autoclave: punta ultrasónica, pieza de mano Ultrasonic, pieza de mano Powder (para uso de Prophy), pieza de mano Powder (para uso de Perio, opcional), llave para punta (CR-10), caja de esterilización, llave de punta de boquilla (opcional).

- 1) Inserte los componentes en un estuche de autoclave. Selle el estuche.
- 2) Esterilice con autoclave en las condiciones siguientes.
Esterilice durante más de 20 minutos a 121 °C, 15 minutos a 132 °C o 3 minutos a 134 °C.
- 3) Guarde los componentes en el estuche de autoclave para mantenerlos estériles hasta su uso.

■ Caja de esterilización

La pieza de mano Ultrasonic, la punta ultrasónica y la llave para punta (CR-10) pueden esterilizarse juntas utilizando una caja de esterilización. Pueden esterilizarse hasta cuatro llaves para punta (CR-10) y puntas a la vez (Fig. 40).

- 1) Extraiga la punta después de utilizarla. (Consulte “7-2 Montaje de la punta”). La punta se coloca dentro de la llave para punta (CR-10).
- 2) Introduzca en la caja de esterilización la llave para punta (CR-10) con la punta insertada.
- 3) Introduzca la pieza de mano Ultrasonic en la caja de esterilización.

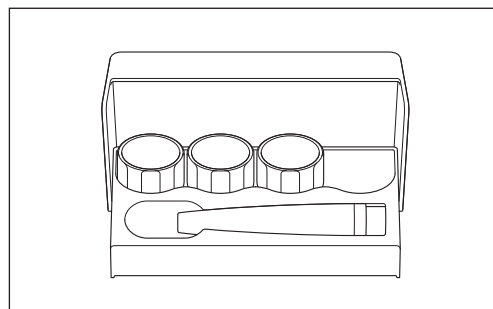


Fig. 40

PRECAUCIÓN

- La caja de esterilización no puede utilizarse para la pieza de mano Powder.
- No esterilice con autoclave el producto junto con otros instrumentos, ni siquiera en un estuche de autoclave. Esto sirve para prevenir una posible decoloración y daños en el producto debido a residuos químicos de otros instrumentos.
- Mantenga el producto a una presión atmosférica, temperatura, humedad, ventilación y luz solar adecuadas. El aire debe estar libre de polvo, sal y azufre.
- Si la temperatura de la cámara esterilizadora pudiese superar los 135 °C durante el ciclo de secado, omita el ciclo de secado.
- Para este producto se recomienda esterilización con autoclave. No está confirmada la validez de otros métodos de esterilización.
- No esterilice con autoclave el cable de pieza de mano no apantallado ni la junta tórica. Desinfecte el cable de pieza de mano no apantallado con un paño impregnado en alcohol después de cada paciente.
- No utilice agua muy ácida ni soluciones esterilizantes para limpiar o sumergir el producto.

IMPORTANTE

- NSK recomienda esterilizadores Clase B tal y como se indica en EN13060.
- La repetida esterilización en un autoclave puede hacer que la pieza de mano Ultrasonic se decolore debido al calor. Sin embargo, esto se debe a las propiedades del producto y no se trata de un problema en términos de calidad.

9-4 Limpieza del depósito y la manguera

- 1) Realice la operación de autolimpieza antes de limpiar el depósito para expulsar los restos de polvo y agua del interior de la pieza de mano y la manguera de la pieza de mano.
- 2) Descargue la presión residual del depósito. (Consulte “8-6-4 Descarga de la presión residual”.)
- 3) Presione el botón de bloqueo para sacar el depósito. Luego tire hacia arriba del depósito (Fig. 41).
- 4) Abra la tapa del depósito y retire los restos de polvo.
- 5) Afloje la tuerca del conector de la manguera de la pieza de mano y quite la manguera del depósito.
- 6) Retire los restos de polvo del depósito utilizando aire, etc.
- 7) Limpie con un paño la manguera para eliminar el polvo, etc.
- 8) Utilice la escobilla para limpieza suministrada para quitar el polvo de los conectores situados en ambos extremos de la manguera de la pieza de mano y la toma de conexión de la manguera de la pieza de mano del depósito.

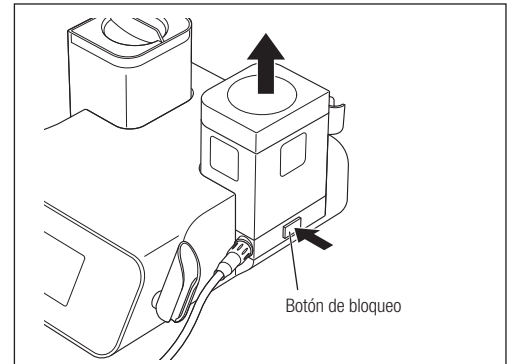


Fig. 41

ADVERTENCIA



- Las soluciones medicinales, disolventes, etc., adheridas al depósito o a la tapa del depósito pueden provocar daños.
- Asegúrese de limpiar el depósito después de cada uso. Los restos de polvo en el interior del depósito pueden solidificarse y provocar obstrucciones.
- Nunca utilice la tapa del depósito si tiene grietas o está rayada. Si lo hace, podrían producirse daños y lesiones al romperse.

PRECAUCIÓN



- Si se produce algún fallo en el depósito, contacte con su distribuidor de NSK autorizado para proceder a la reparación.
- Después del uso, extraiga siempre todo el polvo del interior del depósito y límpielo antes de guardarlo.
- No lave el depósito. Eso podría hacer que el polvo se solidificara y provocara obstrucciones.
- Lleve a cabo la operación especificada en “8-6-4 Descarga de la presión residual” antes de extraer el depósito. Si no lo hace, la tapa del depósito no se podrá abrir. La tapa del depósito podría salir disparada si intenta forzarla para abrirla.

■ Desbloqueo del botón de bloqueo

Si el depósito no puede extraerse debido a que resulta imposible pulsar el botón de bloqueo, lleve a cabo la siguiente operación para desbloquear el botón de bloqueo y extraer el depósito y, a continuación, póngase en contacto con su distribuidor de NSK autorizado.

- 1) Inserte en el orificio que se encuentra en la base de la unidad de control la herramienta de desbloqueo incluida e introdúzcala por completo. (Fig. 42)
El botón de bloqueo se suelta.

- 2) Retire la herramienta de desbloqueo.

- 3) Pulse el botón de bloqueo para extraer el depósito.

Si el botón de bloqueo sigue sin soltarse, póngase en contacto con su distribuidor de NSK autorizado.

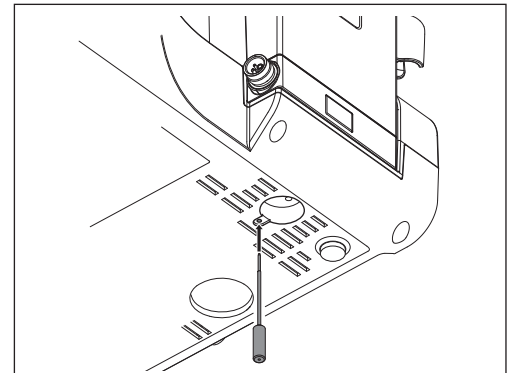


Fig. 42

PRECAUCIÓN



- No coloque la unidad de control boca abajo cuando esté desbloqueando el botón de bloqueo. De lo contrario podría producirse una obstrucción de polvo.
- No gire la herramienta de desbloqueo cuando la inserte.

9-5 Limpieza de la unidad de control y el interruptor del pedal

- 1) Apague la alimentación.
- 2) Desconecte el cable de potencia CA de la toma de corriente de pared.
- 3) Limpie la suciedad y los restos de polvo con un paño húmedo y, a continuación, limpie la superficie con un paño impregnado en alcohol.

PRECAUCIÓN

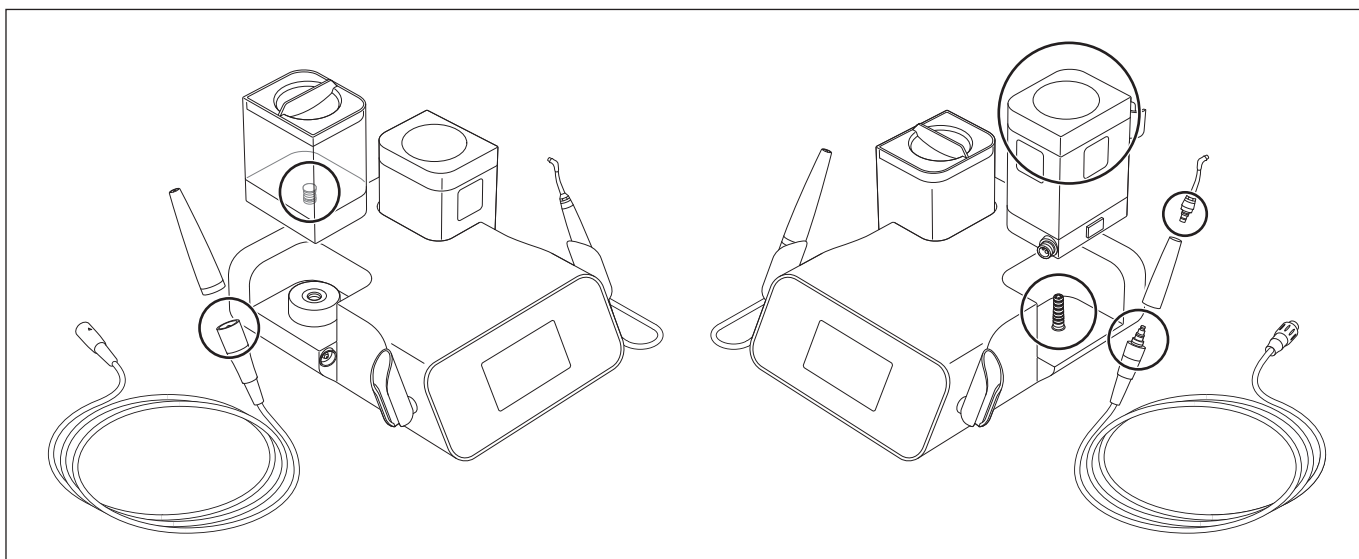


- Nunca utilice disolventes como bencina o diluyente para limpiar.

10 Cuidado y mantenimiento

10-1 Sustitución de las juntas tóricas

Sustituya las juntas tóricas cuando observe síntomas como fugas de agua o aire.



Español

ULTRASONIC

10-1-1 Cable de pieza de mano no apantallado

- 1) Retire el cable de pieza de mano no apantallado de la unidad de control.
- 2) Retire la junta tórica que desea sustituir con la ayuda de una aguja, etc. (Fig. 43).
- 3) Coloque la nueva junta tórica en la ranura donde se encontraba la junta tórica usada.

* Consulte "21 Lista de piezas de recambio" para obtener más información sobre las juntas tóricas de sustitución.

Código del pedido: Y1003546

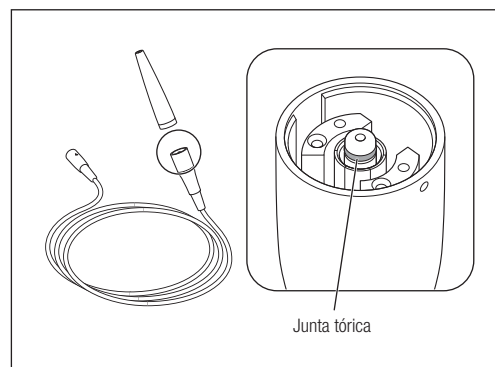


Fig. 43

POWDER PROPHY POWDER PERIO

10-1-2 Manguera de la pieza de mano (para uso de Prophy y uso de Perio)

- 1) Retire la manguera de la pieza de mano Powder y el depósito.
- 2) Retire las juntas tóricas de la clavija de la manguera de la pieza de mano con la ayuda de una aguja, etc. Si hay polvo en las ranuras de las juntas tóricas, límpielas antes de colocar las nuevas juntas tóricas.
- 3) Coloque las nuevas juntas tóricas en las ranuras donde se encontraban las juntas tóricas usadas.
- 4) Aplique una gota del aceite para turbina suministrado y extiéndalo con el dedo (Fig. 44).

* Consulte "21 Lista de piezas de recambio" para obtener más información sobre las juntas tóricas de sustitución.

Código del pedido: Y1003500

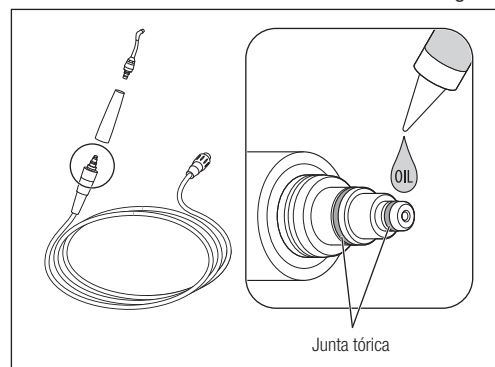


Fig. 44

PRECAUCIÓN

- Si no se lubrica la zona de la junta tórica en la parte de la pieza de mano puede dañarse la sección de la junta, lo que provocará problemas al girar la conexión de la pieza de mano. También puede causar fugas de agua.

10-1-3 Boquilla (para uso de Prophy y uso de Perio)

- 1) Pase la llave de junta suministrada por el extremo de la boquilla, afloje la boquilla, y retírela de la pieza de mano.
- 2) Retire las juntas tóricas del extremo de la boquilla con una aguja, etc. (Fig. 45). Si hay polvo en las ranuras de las juntas tóricas limpie la ranura antes de insertar la nueva junta tórica.
- 3) Coloque las nuevas juntas tóricas en las ranuras de donde se retiraron las usadas.

* Consulte "21 Lista de piezas de recambio" para obtener más información sobre reemplazo de Juntas tóricas.

Código del pedido: Y1003501

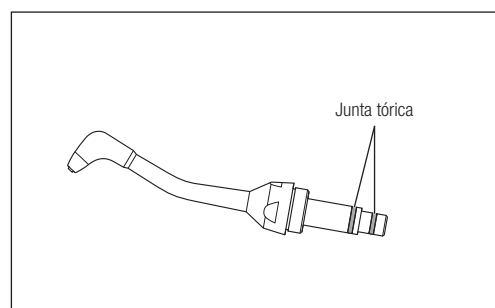


Fig. 45

10-1-4 Recipiente de irrigación

- 1) Retire las juntas tóricas de la junta del recipiente de irrigación con la ayuda de una aguja, etc.
 - 2) Coloque las nuevas juntas tóricas en las ranuras donde se encontraban las juntas tóricas usadas.
- * Consulte "21 Lista de piezas de recambio" para obtener más información sobre las juntas tóricas de sustitución.
Código del pedido: Y1003544

PRECAUCIÓN

- Las juntas tóricas tienen grosores diferentes. Asegúrese de colocarlas en la ranura correcta (Fig. 46).

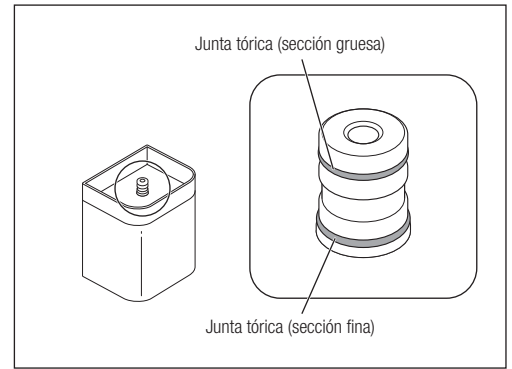


Fig. 46

10-1-5 Conector de la base del depósito

- 1) Retire las juntas tóricas del conector de la base del depósito con la ayuda de una aguja, etc. (Fig. 47).
 - 2) Coloque las nuevas juntas tóricas en las ranuras donde se encontraban las juntas tóricas usadas.
- * Consulte "21 Lista de piezas de recambio" para obtener más información sobre las juntas tóricas de sustitución.
Código del pedido: Y1003435

PRECAUCIÓN

- Asegúrese de sustituir las juntas tóricas en la posición correcta, pues tienen tamaños distintos (Fig. 47).

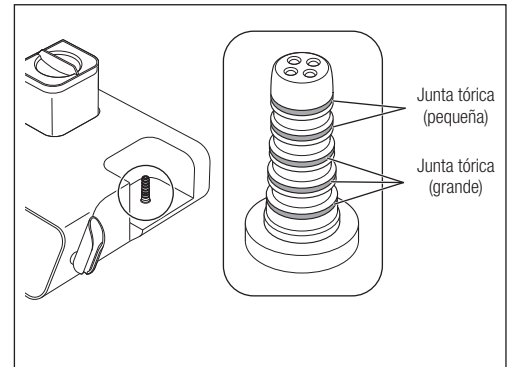


Fig. 47

10-1-6 Tapa del depósito

- 1) Retire la tapa del depósito.
 - 2) Retire la junta tórica del interior de la tapa del depósito con la ayuda de una aguja, etc. (Fig. 48).
 - 3) Coloque la nueva junta tórica en la ranura donde se encontraba la junta tórica usada.
- Código del pedido: Y1003545

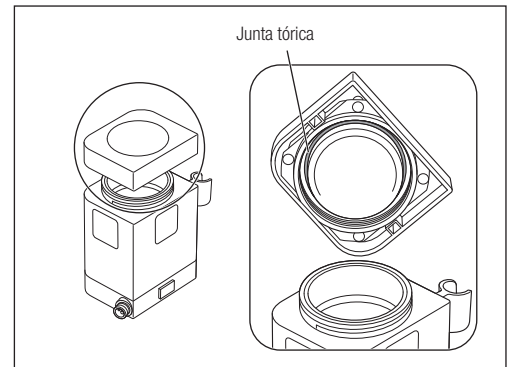


Fig. 48

10-2 Cambio del conjunto de bomba de irrigación

- 1) Retire el recipiente de irrigación, el depósito, el cable de potencia, el cable de pieza de mano no apantallado y el interruptor del pedal de la unidad de control.
- 2) Dé la vuelta a la unidad de control. Use un destornillador de estrella para quitar el tornillo de la cubierta del conjunto de bomba de irrigación y retire la cubierta (Fig. 49).
- 3) Retire los dos tubos de irrigación de la unidad de control (Fig. 50).
- 4) Retire el anillo de conexión del tubo de irrigación. No lo deseche. Puede utilizar el anillo en el conjunto de bomba de irrigación de sustitución (Fig. 51).
- 5) Gire el conjunto de bomba de irrigación en sentido contrario a las agujas del reloj hasta que haga clic y tire de él (Fig. 52).
- 6) Monte los anillos de conexión en los tubos de irrigación del nuevo conjunto de bomba de irrigación (opcional). Asegúrese de que el anillo esté orientado correctamente (Fig. 53).
- 7) Alinee el nuevo conjunto de bomba de irrigación (opcional) con el eje del motor. Gire en el sentido de las agujas del reloj hasta que haga clic (Fig. 54).
- 8) Monte el tubo de irrigación siguiendo el procedimiento de retirada pero a la inversa. Presione firmemente el anillo de conexión hacia la unidad de control hasta el tope (Fig. 50).
- 9) Alinee el gancho de la cubierta del conjunto de bomba de irrigación y el orificio de la unidad de control. Monte la cubierta.

* Para más información sobre el conjunto de bomba de irrigación, consulte "21 Lista de piezas de recambio".

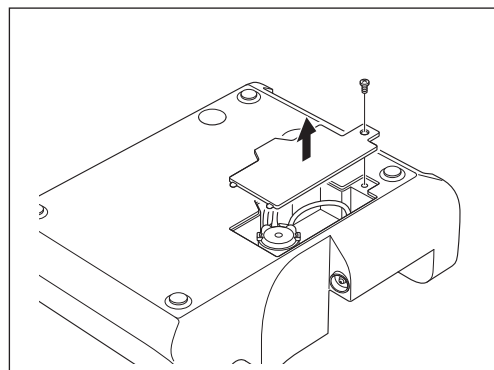


Fig. 49

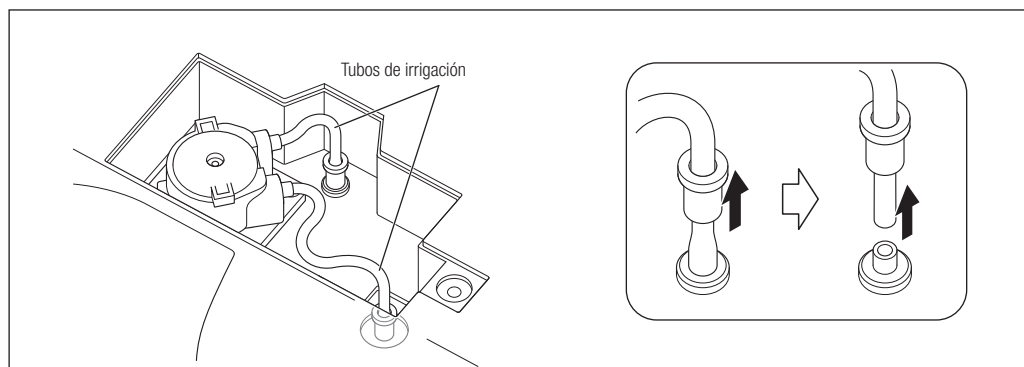


Fig. 50

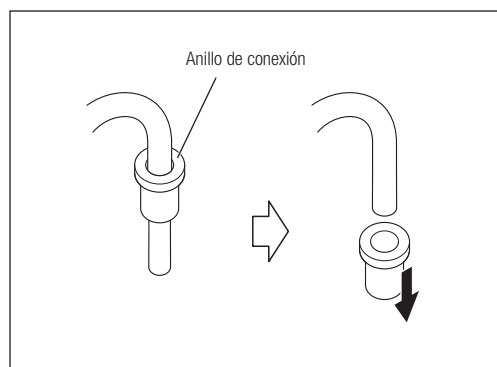


Fig. 51

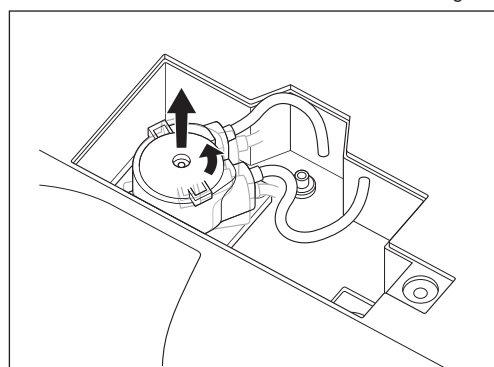


Fig. 52

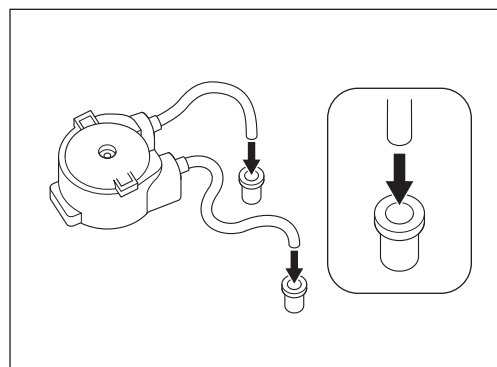


Fig. 53

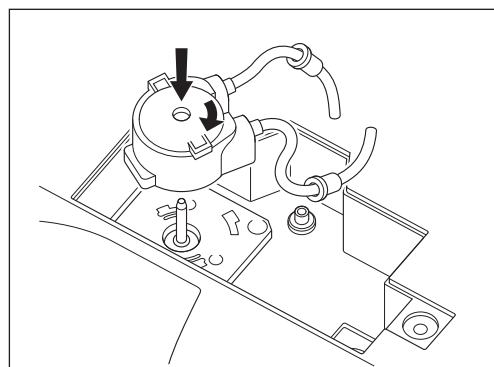


Fig. 54

PRECAUCIÓN

- Antes de sustituir el conjunto de bomba de irrigación, pase un paño para eliminar el exceso de agua del conjunto y el eje de control. Unos ejes de control y rodillos mojados pueden estar resbaladizos y provocar un funcionamiento inadecuado.
- Limpie con un paño la suciedad y el agua del eje de control desde abajo (Fig. 55).
- Introduzca el conjunto de bomba de irrigación de sustitución en el eje de control de forma recta, despacio y con cuidado para evitar dañar los rodillos de la bomba.
- Después de sustituir el conjunto de bomba de irrigación, haga funcionar este producto durante unos 10 segundos con el modo de irrigación configurado en recipiente y el volumen de irrigación al máximo para que el tubo de irrigación se adapte a la nueva bomba.
- Asegúrese de que el tubo de irrigación no pueda doblarse ni torcerse. Si el tubo se instala de forma incorrecta, es posible que no se suministre agua de irrigación.
- Asegúrese de que el tubo no quede atrapado debajo de la cubierta del conjunto de bomba de irrigación al cerrarla.
- Utilice solo el conjunto de bomba de irrigación específico para Varios Combi Pro. El uso de otras bombas no está permitido.

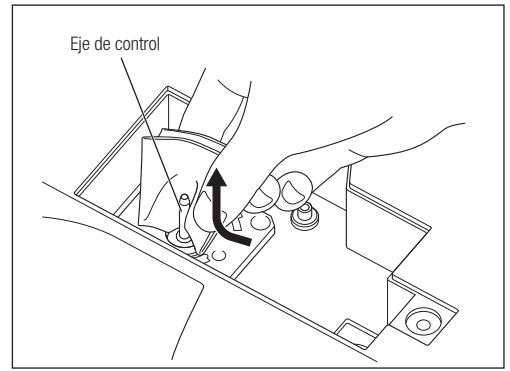


Fig. 55

IMPORTANTE

- Realice una limpieza periódica del eje de control con un paño impregnado en alcohol. La suciedad en el eje de control puede provocar un funcionamiento incorrecto de la bomba.
- La bomba es una pieza consumible. Si el volumen de irrigación disminuye de forma considerable, sustituya la bomba.

10-3 Cambio del filtro de agua

Si utiliza agua de grifo, cambie el filtro de agua una vez al año.

Si nota que el flujo de agua ha disminuido, cambie el filtro de agua antes de que trascorra un año.

- 1) Cierre la válvula de agua de la unidad dental.
- 2) Coloque la unidad de control sobre un paño, etc., por si se produjeran fugas de agua.
- 3) Utilice las dos llaves inglesas (5x8) y gírelas tal y como se muestra en Fig. 56.
- 4) Retire el alojamiento del filtro de agua y extraiga el filtro de agua.
- 5) Coloque el nuevo filtro de agua con la junta tórica en el lado del Varios Combi Pro y vuelva a montar el conjunto siguiendo el procedimiento de desmontaje a la inversa (Fig. 57).

* Consulte "21 Lista de piezas de recambio" para obtener más información sobre el filtro de agua opcional.

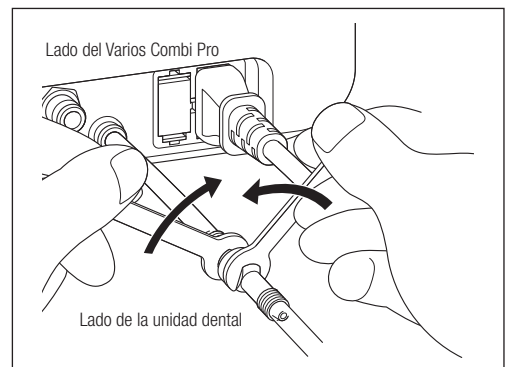


Fig. 56

PRECAUCIÓN

- Asegúrese de colocar el filtro de agua en la orientación adecuada. De lo contrario, el filtro no funcionará correctamente.

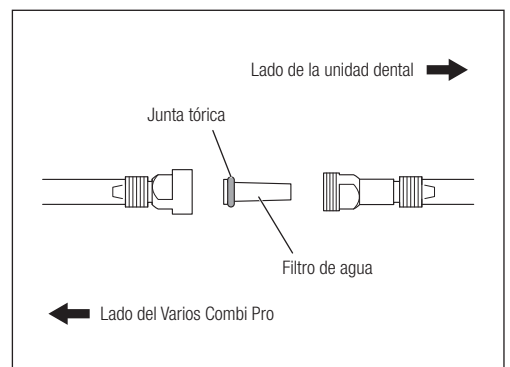


Fig. 57

10-4 Comprobación del filtro de aire

Cuando se observen síntomas como reducción del nivel de potencia u obstrucción frecuente del polvo, expulse agua pulsando la punta del filtro de aire situada en la parte inferior de la unidad de control (Fig. 58).

Si no puede obtenerse un nivel de potencia suficiente como resultado de un uso prolongado, puede que el elemento VCP esté obstruido. Si eso sucede, póngase en contacto con su distribuidor de NSK autorizado.

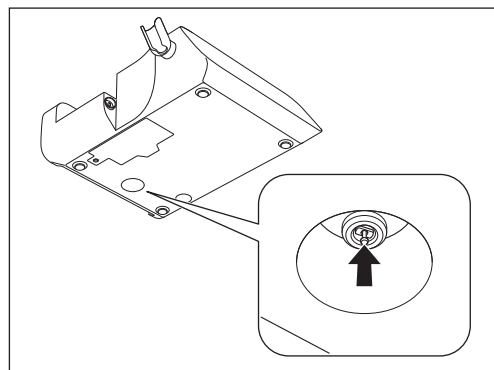


Fig. 58

10-5 Sustitución del fusible

- 1) Apague el interruptor de encendido.
- 2) Desconecte el cable de potencia CA de la toma de corriente de pared.
- 3) Extraiga la caja de fusibles situada en la parte posterior de la unidad de control mientras mantiene los clavos situados en ambos extremos presionados hacia dentro (Fig. 59).
- 4) Sustituya el fusible por uno nuevo.
- 5) Vuelva a colocar la caja de fusibles en su sitio.

* Consulte "21 Lista de piezas de recambio" para obtener más información sobre los fusibles de sustitución.

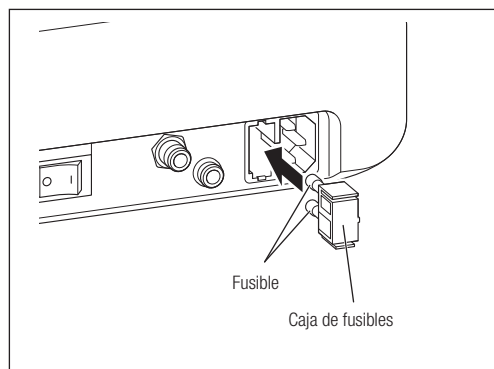


Fig. 59



PRECAUCIÓN

- Utilice únicamente los fusibles recomendados por NSK. Si se utilizan otros fusibles, podrían producirse fallos.
- Si se ha fundido un fusible y no conoce el motivo, póngase en contacto con su distribuidor de NSK autorizado.

IMPORTANTE

- Si la caja de fusibles no sale con facilidad, utilice una herramienta de punta dura para empujar los clavos mientras extrae la caja de fusibles.

11 Otras funciones

11-1 Restauración de valores (a la configuración de fábrica)

Los valores de ajuste para cada uno de los modos quedan almacenados en este producto. Estos valores pueden restaurarse a la configuración de fábrica.

- 1) Encienda el botón de encendido mientras pulsa el botón B del interruptor del pedal.
- 2) Se muestra "Clr" en el panel LCD. Cuando aparezca "Clr", suelte el botón B del interruptor del pedal y luego pulse el botón D para comenzar con la restauración.
- 3) Una vez que la restauración se ha completado, aparece "Fin" en el panel LCD. Se oye una alarma y el producto comienza en el modo normal. (Consulte la tabla siguiente de los ajustes iniciales).

	Modo Ultrasonic	Modo Powder	
		Modo Propy	Modo Perio
Selección del modo Ultrasonic	Perio	-	
Nivel de potencia	1	1	1
Modo de irrigación	Recipiente	-	
Volumen de irrigación	10	10	10

(Establecido en agua de grifo)

ULTRASONIC

11-2 Uso del soporte de punta (para punta ultrasónica, opcional)

- Use el soporte de punta para guardar las puntas después de desmontarlas de la pieza de mano.
- El soporte de punta puede esterilizarse con autoclave. Puede esterilizarse un máximo de 5 puntas a la vez. Gire el soporte en la dirección de la flecha de modo que las puntas quepan en la caja de esterilización (Fig. 60).

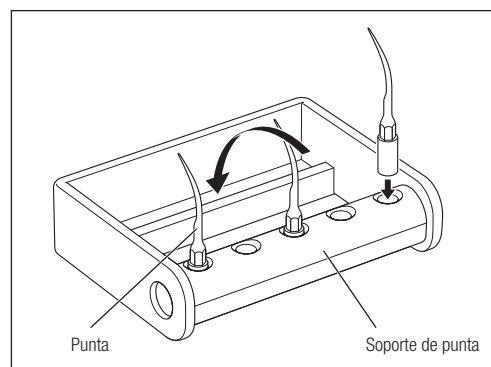


Fig. 60

11-3 Ajuste del nivel de agua básico

El nivel de agua básico puede ajustarse en función de la presión de suministro de agua en el entorno de uso. Si el volumen de irrigación es demasiado alto o demasiado bajo, incluso al ajustarlo con las teclas de volumen de irrigación, realice el siguiente procedimiento para ajustar el nivel de agua básico.

- 1) Encienda el interruptor de encendido de la unidad de control.
- 2) Toque la tecla de selección del modo de funcionamiento para seleccionar el modo Powder.
- 3) Mantenga pulsada durante 2 segundos la tecla de selección del modo de irrigación. Se oye una alarma y el panel LCD cambia al modo de ajuste de nivel de agua básico.
- 4) Toque las teclas de volumen de irrigación (▲/▼) para cambiar el nivel de agua básico ("L1" - "L5"). Ajuste el nivel según requiera.
- 5) Mantenga pulsada durante 2 segundos la tecla de selección del modo de irrigación para guardar el nivel seleccionado en la memoria. Se oye una alarma y el nivel seleccionado se guarda. A continuación, el panel LCD cambia al modo normal.



Fig. 61: Modo de ajuste de nivel de agua básico [Nivel de agua 4]

IMPORTANTE • El nivel de agua básico regresa a "L4" cuando este producto se restaura a los valores predeterminados de fábrica. Tras dicha restauración, configure de nuevo el nivel de agua básico.

Referencia

Nivel	Volumen de agua
L5	Alto ↑ Bajo
L4 (valor inicial)	
L3	
L2	
L1	

12 Comprobaciones periódicas de mantenimiento

Consulte la siguiente hoja de verificación y realice comprobaciones de mantenimiento periódicas cada tres meses. En caso de detectar alguna anomalía, póngase en contacto con su distribuidor de NSK autorizado.

Puntos que comprobar	Detalles
Pieza de mano Ultrasonic	Haga vibrar la pieza de mano Ultrasonic y compruebe que no haya anomalías en la vibración, ruido, calor, etc. Compruebe también que el LED se ilumine y que el agua fluya.
Tapa del depósito	Compruebe que no haya arañazos grandes o profundos.
Pulverización de polvo	Después de cargar el polvo, pulverice polvo en una escupidera o un recipiente similar y verifique que no haya fugas de polvo en las conexiones, exceptuando en la conexión de la punta de la boquilla.
Pulverización de agua	Después de cargar el polvo, pulverice polvo en una escupidera o un recipiente similar y verifique que no haya fugas de agua en las conexiones, exceptuando en la conexión de la punta de la boquilla.
Depósito	Compruebe que no haya arañazos grandes o profundos.
Montaje/desmontaje de la pieza de mano, la manguera de la pieza de mano, el recipiente de irrigación y el depósito	Compruebe que puedan montarse y desmontarse fácilmente. Si están demasiado sueltos o demasiado apretados, es posible que las juntas tóricas estén dañados o deteriorados. Sustituya las juntas tóricas. (Consulte "10 Cuidado y mantenimiento").

13 Código de error

Si este producto deja de funcionar debido a un mal funcionamiento, una presión excesiva, una desconexión o un funcionamiento incorrecto, en el panel LCD de la unidad de control aparece "Error" y un código de error. Pulse el botón D del interruptor del pedal para volver a realizar la comprobación de errores. Si no se detecta el problema, se anula el estado de error y el producto vuelve a estar operativo. Si todavía se muestra el código de error, consulte la tabla siguiente y siga los pasos necesarios para resolver el problema.

Código de error	Descripción del error	Comprobación/solución
0	Error de sistema	Vuelva a encender la unidad de control. Si el error no desaparece, póngase en contacto con su distribuidor de NSK autorizado.
1	Anomalía en la tensión de 24 V	
2	Anomalía en la tensión de 12 V	
3	Anomalía en la corriente de la bomba	Compruebe la conexión del conjunto de bomba de irrigación. Si el problema persiste, póngase en contacto con su distribuidor de NSK autorizado.
4	Anomalía en la presión de aire	Compruebe la presión de aire de entrada. Si el problema persiste, póngase en contacto con su distribuidor de NSK autorizado.
5	Anomalía en la tensión del calentador	Vuelva a encender la unidad de control. Si el error no desaparece, póngase en contacto con su distribuidor de NSK autorizado.
6	Anomalía en la corriente del calentador	
7	Anomalía en la temperatura del calentador	Compruebe el circuito de agua y el suministro de agua a la unidad de control. Deje que la unidad de control se enfríe antes de usarla. Si el error no desaparece, póngase en contacto con su distribuidor.
8	Anomalía en la comunicación del interruptor del pedal	Compruebe la conexión del interruptor del pedal. Si el problema persiste, póngase en contacto con su distribuidor de NSK autorizado.
9	Anomalía en la pieza de mano Ultrasonic	Compruebe la conexión de la pieza de mano. Si el problema persiste, póngase en contacto con su distribuidor de NSK autorizado.
12	Anomalía en la comunicación del sensor táctil	Apague el interruptor de encendido y vuelva a encenderlo. Si el problema persiste, póngase en contacto con su distribuidor de NSK autorizado.
13	Error en la autocomprobación de la unidad ultrasónica	
14	Error de sistema de la unidad ultrasónica	

14 Resolución de problemas

Si está experimentado problemas, compruebe los siguientes puntos antes de ponerse en contacto con su distribuidor de NSK autorizado.

(Modo Ultrasonic y modo Powder)



Problema	Causa	Solución
Pitido.	Se ha activado la alimentación mientras se estaba pulsando el interruptor del pedal.	Suelte el interruptor del pedal y encienda el interruptor de encendido.
	Calentamiento anormal de la unidad de control.	Detenga el funcionamiento y deje que la unidad de control se enfríe.
El panel táctil no responde bien o no se reconoce correctamente la tecla pulsada.	La calibración está ligeramente desalineada debido a electricidad estática, ruido exógeno, etc.	Apague el interruptor de encendido y vuelva a encenderlo.
	La tecla no se ha pulsado por el centro.	Pulse la tecla por el centro.
<ul style="list-style-type: none"> El agua no se detiene No se puede ajustar el nivel del agua 	La junta tórica está dañada o desgastada.	Siga el procedimiento descrito en "10-1-5 Conector de la base del depósito" para sustituir la junta tórica.
	Se ha producido una obstrucción en el circuito del agua debido a algún material extraño.	Lleve a cabo la autolimpieza. Si el problema sigue sin resolverse, póngase en contacto con su distribuidor de NSK autorizado.

(Modo Ultrasonic)



Problema	Causa	Solución
Se oye una alarma, y la pantalla del modo Ultrasonic (P/E/G) y "ULTRASONIC" parpadean alternativamente cuando se pulsa el botón D del interruptor del pedal.	El sensor integrado en el soporte de la pieza de mano está sucio y detecta por error el montaje de la pieza de mano.	Limpie con un paño el sensor.
Vibración escasa/inexistente.	El cable de potencia CA no está conectado a la toma de pared o no hay electricidad en la toma de pared.	Compruebe la conexión.
	El fusible se ha fundido.	Consulte "10-5 Sustitución del fusible" y sustituya el fusible.
	La punta no se ha ajustado con la suficiente firmeza.	Gire la llave para punta (CR-10) hasta que haga clic y ya no pueda girar más. Si el problema persiste, sustituya la llave para punta (CR-10) ya que puede que esté desgastada.
	Punta desgastada.	Sustituya la punta.
	Las piezas roscadas de la pieza de mano y la punta no están limpias.	Límpielas con un paño.
	Las piezas roscadas de la pieza de mano están desgastadas como resultado de mucho tiempo de uso.	Póngase en contacto con su distribuidor de NSK autorizado.*
	La potencia de la punta no se ha ajustado correctamente.	Ajuste la potencia de modo que no supere el nivel de potencia máximo indicado en la guía de potencia de la punta o en la etiqueta de la caja de la punta.
	El interruptor del pedal está desconectado.	Conecte correctamente la clavija del cable del interruptor del pedal.
	Fallo del vibrador en la pieza de mano.	Póngase en contacto con su distribuidor de NSK autorizado.*
	Fallo de los componentes internos del interruptor del pedal.	Póngase en contacto con su distribuidor de NSK autorizado.*
La punta está doblada o rota.	El sensor integrado en el soporte de la pieza de mano está sucio y detecta por error el montaje de la pieza de mano.	Limpie con un paño el sensor.
	La potencia de la punta no se ha ajustado correctamente.	Ajuste la potencia de modo que no supere el nivel de potencia máximo indicado en la guía de potencia de la punta o en la etiqueta de la caja de la punta.
La punta se ha salido.	La punta no se ha ajustado con la suficiente firmeza.	Ajuste la punta hasta que la llave para punta (CR-10) haga clic.

Problema	Causa	Solución
Ruido de la pieza de mano.	La potencia de la punta no se ha ajustado correctamente.	Ajuste la potencia de modo que no supere el nivel de potencia máximo indicado en la guía de potencia de la punta o en la etiqueta de la caja de la punta.
	La punta no se ha ajustado con la suficiente firmeza.	Gire la llave para punta (CR-10) hasta que haga clic y ya no pueda girar más. Si el problema persiste, sustituya la llave para punta (CR-10) ya que puede que esté desgastada.
	Fallo de vibración en la pieza de mano o la unidad de control.	Póngase en contacto con su distribuidor de NSK autorizado.*
La pieza de mano está excesivamente caliente.	La potencia de la punta no se ha ajustado correctamente.	Ajuste la potencia de modo que no supere el nivel de potencia máximo indicado en la guía de potencia de la punta o en la etiqueta de la caja de la punta.
	La punta no se ha ajustado con la suficiente firmeza.	Gire la llave para punta (CR-10) hasta que haga clic y ya no pueda girar más. Si el problema persiste, sustituya la llave para punta (CR-10) ya que puede que esté desgastada.
	Las piezas roscadas de la pieza de mano y la punta no están limpias.	Límpielas con un paño.
	Las piezas roscadas de la pieza de mano están desgastadas como resultado de mucho tiempo de uso.	Póngase en contacto con su distribuidor de NSK autorizado.*
	El volumen de irrigación es insuficiente o la irrigación se ha detenido.	Irrigue a un volumen adecuado.
	Fallo de vibración en la pieza de mano o la unidad de control.	Póngase en contacto con su distribuidor de NSK autorizado.*
Sin suministro de irrigación y/o suministro de irrigación inestable (cuando se usa el recipiente)	El tubo de irrigación está doblado.	Enderece el tubo de irrigación doblado.
	Es hora de sustituir el conjunto de bomba de irrigación.	Sustituya el conjunto de bomba de irrigación por uno nuevo (consulte "10-2 Cambio del conjunto de bomba de irrigación").
Agua escasa/inexistente. (cuando se usa agua de grifo)	No se suministra agua a la unidad de control.	Compruebe el circuito de agua para que se suministre agua a la unidad de control. Presión del suministro de agua: 0,1 - 0,3 MPa
	El volumen de irrigación está configurado en "0".	Configure el volumen de irrigación adecuado usando el ajuste de volumen de irrigación.
	El suministro de agua puede ser inestable cuando el volumen de irrigación es insuficiente.	No se trata de un mal funcionamiento. Aumente el volumen de irrigación usando el ajuste de volumen de irrigación.
	El filtro de agua está obstruido debido a sustancias extrañas.	Sustituya el filtro de agua por uno nuevo.
Fuga de agua.	El tubo de irrigación no está conectado correctamente.	Inserte completa y firmemente el tubo de irrigación en el conector de irrigación.
	La junta tórica situada en el cable de pieza de mano no apantallado está desgastada o dañada.	Sustituya la junta tórica por una nueva siguiendo los procedimientos descritos en "10-1-1 Cable de pieza de mano no apantallado".
	El circuito de agua en la unidad de control está dañado.	Póngase en contacto con su distribuidor de NSK autorizado.*
El LED de la pieza de mano no se ilumina.	La pieza de mano no está conectada correctamente al cable de pieza de mano no apantallado.	Inserte completa y firmemente la pieza de mano en el cable de pieza de mano no apantallado.
	Fallo de la unidad de control.	Póngase en contacto con su distribuidor de NSK autorizado.*



Problema	Causa	Solución
Se oyen alarmas, y "POWDER" y el icono de diente parpadean alternativamente cuando se pulsa el botón D o B del interruptor del pedal.	El sensor integrado en el soporte de la pieza de mano está sucio y detecta por error el montaje de la pieza de mano.	Limpie con un paño el sensor.
	El depósito no está insertado correctamente.	Inserte correctamente el depósito hasta que oiga una señal de confirmación sonora.
No se oye la señal de confirmación sonora o no aparece el icono que indica el modo Prophy o el modo Perio cuando se inserta el depósito.	Fallo de la unidad de control (desconexión).	Póngase en contacto con su distribuidor de NSK autorizado.*
No hay suministro de aire y polvo. O hay suministro de aire y polvo, pero la presión no es suficiente y la potencia de limpieza también es débil.	Hay polvo obstruido en el interior de la punta de la boquilla.	Sustituya la punta de la boquilla.
	Hay polvo obstruido en el interior de la pieza de mano.	Limpie la base de la boquilla con el alambre boquilla (corto) suministrado y el extremo de la boquilla con el alambre para limpieza. Además, limpie el interior de la pieza de mano con el alambre boquilla (largo). Si el polvo y el aire no fluyen después de haber limpiado como se ha descrito anteriormente, realice la limpieza ultrasónica con agua caliente. (Consulte "9-2-3 Limpieza ultrasónica").
	Hay polvo obstruido en el interior del depósito.	Limpie el polvo del interior del depósito siguiendo el procedimiento descrito en "9-4 Limpieza del depósito y la manguera".
	El polvo se ha solidificado parcialmente con el agua, etc., en el conducto de aire.	Limpie el polvo del interior del conducto siguiendo el procedimiento descrito en "9-2-1 Autolimpieza".
	El depósito de polvo se ha dejado abierto, así que el polvo ha quedado expuesto al aire.	Deseche el polvo y rellene el depósito con polvo nuevo.
	El agua se mezcla con aire.	Abra el filtro situado en el circuito de suministro de aire para drenar el compresor y compruebe que no haya agua acumulada en el interior del filtro de aire ni en el desagüe del compresor.
	El elemento VCP está obstruido.	Póngase en contacto con su distribuidor de NSK autorizado.*
Fuga de agua entre la pieza de mano y la manguera de la pieza de mano.	La junta tórica está rayada.	Sustituya la junta tórica situada en la sección de la junta de la pieza de mano, aplique una gota del aceite para turbina suministrado y extiéndalo con el dedo. (Consulte "10-1-2 Manguera de la pieza de mano (para uso de Prophy y uso de Perio)").
No se puede extraer el depósito porque no se puede pulsar el botón de bloqueo	El botón está bloqueado	Siga el procedimiento descrito en "Desbloqueo del botón de bloqueo" dentro de "9-4 Limpieza del depósito y la manguera" para desbloquearlo. Si el problema no se resuelve, póngase en contacto con su distribuidor de NSK autorizado.*

* No puede solucionarse en clínicas, etc.

15 Características técnicas

<Unidad de control>

Modelo	Varios Combi Pro
Fuente de alimentación	CA 100 V - 240 V 50/60 Hz
Frecuencia	28 - 32 kHz
Potencia de entrada	78 - 98VA
Salida máxima	11 W
Presión de suministro de aire	0,55 - 0,75 MPa (5,5 - 7,5 kgf/cm ²)
Presión de suministro de agua	0,1 - 0,3 MPa (1,0 - 3,0 kgf/cm ²)
Volumen del recipiente	400 ml
Volumen de irrigación (Modo Ultrasonic)	5,0 - 70,0 ml/min (Modo de irrigación: agua del recipiente/de grifo, Presión del suministro de agua: 0,2 MPa)
Dimensiones	Anch. 225 × Prof. 290 × Alt. 162 mm (recipiente de irrigación y depósito incluidos)
Peso	2,7 kg (recipiente de irrigación y depósito no incluidos)

<Interruptor del pedal>

Modelo	FC-79
Longitud del cable	2,5 m
Dimensiones	Anch. 204 × Prof. 157 × Alt. 128 mm (gancho incluido)
Peso	415 g (gancho incluido)

<Pieza de mano Ultrasonic>

Modelo	VA2-LUX-HP
Longitud del cable	1,8 m (conector no incluido)
Tipo de oscilación	Tipo piezo
Luz	LED blanco
Dimensiones	φ20 × 103 mm (cable no incluido)
Peso	54 g (cable no incluido)

<Pieza de mano Powder>

Modelo	PROPHY-HP/PERIO-HP
Longitud de la manguera	1,8 m (conector no incluido)
Dimensiones	φ16 × 107 mm (cable no incluido)
Peso	33 g (cable no incluido)

	Temperatura	Humedad	Presión atmosférica
Entorno de uso*2	0 - 40 °C	35 - 75 %*1	–
Entorno de transporte y almacenamiento	–10 - 50 °C	10 - 85 %	500 - 1.060 hPa

*1 Sin condensación

*2 El uso de este producto en unas condiciones distintas a las especificadas anteriormente puede provocar un mal funcionamiento.

16 Clasificación del equipamiento

- Tipo de protección contra descargas eléctricas:
 - Equipamiento de clase 1
- Grado de protección contra descargas eléctricas:
 - Pieza aplicada de tipo B: ⚡ (Piezas aplicadas: punta ultrasónica, pieza de mano Ultrasonic, punta de boquilla, pieza de mano Powder)
- Método de esterilización o de desinfección recomendado por el fabricante:
 - Esterilización con autoclave
- Grado de protección contra la entrada de agua, tal y como se detalla en la edición actual de CEI 60529:
 - Interruptor del pedal: IPX1 (protegido contra gotas de agua de caída vertical)
- Grado de seguridad de la aplicación en presencia de mezcla anestésica inflamable con aire, con oxígeno u óxido nítrico:
 - Equipo NO apropiado para su uso en presencia de mezcla anestésica inflamable con aire, con oxígeno u óxido nítrico.
- Modo de funcionamiento:
 - Funcionamiento continuo

17 Principio de funcionamiento





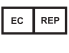











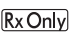




Modo Ultrasonic

Un generador envía una señal eléctrica sinusoidal, a una frecuencia ultrasónica ($f > 20$ kHz). La señal se aplica a la "cerámica piezoeléctrica" situada dentro del transductor. La cerámica piezoeléctrica convierte esta señal en vibraciones mecánicas. Estas vibraciones se emiten a la misma frecuencia ultrasónica que la señal eléctrica. Las vibraciones mecánicas se propagan hacia el extremo distal del transductor. La inserción de la punta, que se conecta al extremo distal del transductor, vibra a una frecuencia ultrasónica para lograr el propósito del equipo.

Modo Powder

Pulveriza polvo mediante aire a presión para limpiar la superficie dental.

18 Símbolos

	Esterilice con autoclave hasta un máximo de 135 °C.		Este producto puede limpiarse y desinfectarse con termo-desinfección.
	Se ajusta a la Directiva Europea de "Productos sanitarios 93/42/CEE".		Fabricante.
	El representante autorizado en la Comunidad Europea.		Los productos y los accesorios deben desecharse según la Directiva (2012/19/UE) sobre residuos de aparatos eléctricos y electrónicos (WEEE).
	Vea el manual de instrucciones.		Pieza aplicada de tipo B.
	Protegido contra el goteo.		Solo para uso en interiores.
	Marcas en la parte externa de las piezas del equipo que incluyen transmisores RF o que aplican energía electromagnética RF para diagnóstico o tratamiento.		Límite de temperatura.
	No reutilizar.		Caducidad.
	Conservar en un lugar seco.		Código de la serie.
	Atención: la ley federal de Estados Unidos limita la venta de este dispositivo a médicos o bajo prescripción facultativa.		Número de serie
	Esterilización		Precaución
	GS1 DataMatrix identificador exclusivo de dispositivo.		

19 Garantía

Los productos de NSK están garantizados contra errores y defectos de fabricación en los materiales. NSK se reserva el derecho a analizar y determinar la causa de cualquier problema. La garantía quedará anulada si el producto no se utiliza correctamente o para el uso previsto, o si ha sido manipulado por personal no cualificado o se han instalado piezas que no sean de NSK. Las piezas de repuesto estarán disponibles durante los siete años posteriores a la interrupción en la venta del modelo.

20 Lista de piezas opcionales

Modelo	Código del pedido	Comentarios
MG-4H Multi Gauge	Z109400	
Soporte de punta	Z221080	
Set Perio	Y1003042	Pieza de mano Powder (para uso de Perio) Depósito (para uso de Perio) Manguera de la pieza de mano (para uso de Perio) Polvo Perio Mate Punta de la boquilla Perio Mate (40 unidades) Llave de punta de boquilla
Pieza de mano Powder (para uso de Perio)	T1077001	
Depósito (para uso de Perio)	U1135019	
Manguera de la pieza de mano (para uso de Perio)	T1053001	
Boquilla (para uso de Perio)	T1077012	
Polvo Perio Mate	Y900938	2 recipientes, cada uno contiene 160 g
Punta de la boquilla Perio Mate	Y1002741	40 unidades
Llave de punta de boquilla	T1043751	
Válvula de reducción de presión de agua	U1135093	

21 Lista de piezas de recambio

Modelo	Código del pedido	Comentarios
FC-79	Z1256001	Interruptor del pedal
Juego de recipiente VCP	U1135017	Recipiente y tapa (recipiente de irrigación, tapa de recipiente de irrigación)
Tapa de recipiente VCP	U1135116	Solo tapa (tapa de recipiente de irrigación)
Recipiente VCP (solo recipiente)	U1135099	Solo recipiente (recipiente de irrigación)
Juego de juntas tóricas (recipiente de irrigación)	Y1003544	Una junta tórica fina y una gruesa
Junta tórica	Y1003546	1 para el cable de pieza de mano no apantallado
Junta tórica (set) (Conector de la base del depósito)	Y1003435	
Junta tórica (set) (Manguera de la pieza de mano)	Y1003500	Una de cada, gruesa y fina. Piezas comunes para uso Prophy y uso Perio
Junta tórica (set) (Boquilla)	Y1003501	Una de cada, gruesa y fina. Piezas comunes para uso Prophy y uso Perio
Junta tórica	Y1003545	Para la tapa del depósito
Cable de pieza de mano no apantallado	E351054	
Pieza de mano Ultrasonic	E351050	
Caja de esterilización	Z1035001	Para piezas ultrasónicas
Llave para punta (CR-10)	Z221076	
Tubo de agua	U1135078	
Filtro de agua	U387042	
Llave inglesa (5x8)	Y1001301	2
Conjunto de bomba de irrigación	U1135079	Anillo de conexión no incluido
FLASH pearl	Y900698	4 recipientes, cada uno contiene 300 g
Set Prophy	Y1003771	Pieza de mano Powder (para uso de Prophy) Depósito (para uso de Prophy) Manguera de la pieza de mano (para uso de Prophy) FLASH pearl (5 s bolsitas) Junta tórica de sustitución
Depósito (para uso de Prophy)	U1135018	
Manguera de la pieza de mano (para uso de Prophy)	T1051001	
Pieza de mano Powder (para uso de Prophy)	T1074001	
Boquilla (para uso de Prophy)	T1074012	
Tapa del depósito	U1135089	Solo tapa
Alambre para limpieza	T798092	Para el extremo distal y el interior de la boquilla
Alambre boquilla (corto)	T798095	Para la base de la boquilla
Alambre boquilla (largo)	T798091	Para piezas distintas a las anteriores
Escobilla para limpieza	T798093	

Modelo	Código del pedido	Comentarios
Herramienta de desbloqueo	U1135256	
Llave de aro	T1074601	
Aceite para turbina	Z016112	
Manguera de aire	D0914406036	
Fusible	D1202220010	Valor nominal T2AH250V

22 Eliminación del producto


Con el fin de evitar riesgos para la salud de los operarios que llevan a cabo la eliminación de los equipos médicos, así como riesgos de contaminación ambiental fruto de dicha eliminación, se solicita al cirujano o dentista que confirme que el equipo es estéril. Encargue dicho trabajo a empresas especializadas con licencia para eliminar desechos industriales especialmente controlados.

23 Información CEM (Información de compatibilidad electromagnética)

Guía y declaración del fabricante - Emisiones Electromagnéticas		
El producto ha sido diseñado para su uso en el entorno electromagnético definido a continuación. El cliente o el usuario del producto debe asegurarse de que se use en este tipo de entorno.		
Prueba de emisiones	Cumplimiento	Entorno electromagnético - guía
Emisiones RF CISPR11/EN55011	Grupo 1	El producto utiliza la energía de RF sólo para su función interna. Por lo tanto, sus emisiones de RF son muy bajas y no pueden causar interferencias en los equipos electrónicos próximos.
Emisiones RF CISPR11/EN55011	Clase B	El producto es apropiado para su uso en todos los establecimientos, incluidos los establecimientos domésticos y aquellos directamente conectados a la red pública de suministro de potencia de bajo voltaje proporcionada en edificios con fines domésticos.
Emisiones armónicas EN/CEI61000-3-2	Clase A (excepto 120V)	
Fluctuaciones de voltaje/ emisiones oscilantes EN/CEI61000-3-3	Cumple (excepto 120V)	

Guía y declaración del fabricante - Inmunidad electromagnética			
El producto ha sido diseñado para su uso en el entorno electromagnético definido a continuación. El cliente o el usuario del producto debe asegurarse de que se use en este tipo de entorno.			
Prueba de inmunidad	Nivel de prueba EN/CEI60601	Nivel de cumplimiento	Entorno electromagnético - guía
Descarga electrostática (ESD) EN/CEI61000-4-2	Contacto $\pm(2,4)6kV$ Aire $\pm(2,4)8kV$	Contacto $\pm(2,4)6kV$ Aire $\pm(2,4)8kV$	El suelo debería ser de madera, hormigón o baldosas cerámicas. Si el suelo se cubre con material sintético, la humedad relativa debería ser, al menos, de un 30 %.
Ráfaga de impulsos/transiente rápido eléctrico EN/CEI61000-4-4	$\pm 2kV$ para las líneas de suministro de potencia $\pm 1kV$ para las líneas de entrada/salida	$\pm 2kV$ para las líneas de suministro de potencia $\pm 1kV$ para las líneas de entrada/salida	La calidad de la potencia eléctrica debería ser aquella de un entorno comercial u hospitalario convencional.
Sobretensión EN/CEI61000-4-5	Modo diferencial $\pm 1kV$ Modo común $\pm 2kV$	Modo diferencial $\pm 1kV$ Modo común $\pm 2kV$	La calidad de la potencia eléctrica debería ser aquella de un entorno comercial u hospitalario convencional.
Descenso de voltaje, interrupciones breves y variaciones de voltaje en las líneas de entrada del suministro eléctrico EN/CEI61000-4-11	$<5\% U_t$ ($>95\%$ descenso en U_t) Para 0,5 ciclos $40\% U_t$ (60% descenso en U_t) Para 5 ciclos $70\% U_t$ (30% descenso en U_t) Para 0,5 ciclos $<5\% U_t$ ($>95\%$ descenso en U_t) Para 5 segundos	$<5\% U_t$ ($>95\%$ descenso en U_t) Para 0,5 ciclos $40\% U_t$ (60% descenso en U_t) Para 5 ciclos $70\% U_t$ (30% descenso en U_t) Para 0,5 ciclos $<5\% U_t$ ($>95\%$ descenso en U_t) Para 5 segundos	La calidad de la potencia eléctrica debería ser aquella de un entorno comercial u hospitalario convencional. Si el usuario del producto requiere un funcionamiento continuo durante las interrupciones de potencia eléctrica, se recomienda que el producto cuente con una batería o corriente eléctrica ininterrumpida.
Frecuencia de potencia (50/60Hz) del campo magnético EN/CEI61000-4-8	3 A/m	3 A/m	La frecuencia de potencia de los campos magnéticos debería estar a los niveles característicos de una ubicación convencional en un entorno comercial u hospitalario.

NOTA: "Ut" es el voltaje de la red CA antes de la aplicación del nivel de prueba.

Guía y declaración del fabricante - Inmunidad electromagnética			
El producto ha sido diseñado para su uso en el entorno electromagnético definido a continuación. El cliente o el usuario del producto debe asegurarse de que se use en este tipo de entorno.			
Prueba de inmunidad	Nivel de prueba EN/CEI60601	Nivel de cumplimiento	Entorno electromagnético - guía
RF conducido EN/CEI61000-4-6	3 Vrms 150 kHz a 80 MHz	3 Vrms	<p>El equipamiento de comunicaciones portátil y móvil RF debería utilizarse a una distancia de cualquier pieza del producto, incluidos cables, superior a la distancia de separación calculada a partir de la ecuación aplicable para la frecuencia del transmisor.</p> <p>Distancia de separación recomendada $d = 1,2 \sqrt{P}$ $d = 1,2 \sqrt{P}$ 80 MHz a 800 MHz $d = 2,3 \sqrt{P}$ 800 MHz a 2,5 GHz</p> <p>Donde "P" es el máximo de potencia de salida del transmisor en vatios (W) según el fabricante del transmisor y (d) es la distancia de separación recomendada en metros (m). Las fuerzas de campo de transmisores fijos RF, tal y como lo determina la investigación (a) de un sitio electromagnético, deberían ser inferiores al nivel de cumplimiento en cada rango de frecuencia (b). Puede producirse una interferencia cerca del equipamiento marcado con el siguiente símbolo:</p> 
RF radiado EN/CEI61000-4-3	3 V/m 80 MHz a 2,5 GHz	3 V/m	
NOTA 1: A 80 MHz y 800 MHz, será de aplicación el rango de frecuencia más elevado.			
NOTA 2: Estas directrices no serán de aplicación para todas las situaciones. La propagación electromagnética se ve afectada por la absorción y reflexión de estructuras, objetos y personas.			
a: en teoría, las fuerzas de campo de transmisores fijos, como estaciones de base de teléfonos de radio (celular/inalámbrica) y radios móviles terrestres, radioaficionados, programas de radio AM y FM y programas de televisión, no pueden predecirse con precisión. Para evaluar el entorno electromagnético debido a transmisores fijos RF, debe considerarse la realización de una investigación electromagnética del sitio. Si la fuerza de campo medida en la ubicación en la que se usa el producto supera el nivel de cumplimiento aplicable RF anterior, deberá observarse si el producto funciona normalmente. En caso de observar un rendimiento anormal, será necesario aplicar medidas adicionales, como la reorientación o reubicación del producto.			
b: por encima del rango de frecuencia de 150 kHz a 80 MHz, la fuerza del campo debería ser inferior a 3 V/m.			

Cables y accesorios	Longitud máxima	Cumple con
Cable de pieza de mano no apantallado	2,0 m (sin blindaje)	Emisiones RF, CISPR11 Emisiones armónicas, (excepto 120V)
Cable del interruptor del pedal	2,5 m (sin blindaje)	Fluctuaciones de voltaje/ emisiones oscilantes, (excepto 120V) Descarga electrostática (ESD):
Cable de potencia CA	3,0 m (sin blindaje)	Ráfaga de impulsos/transiente rápido eléctrico: Sobretensión: Descenso de voltaje, interrupciones breves y variaciones de voltaje en las líneas de entrada del suministro eléctrico: Frecuencia de potencia (50/60 Hz) del campo magnético: RF conducido: RF radiado:
		Clase B/Grupo 1 EN/CEI61000-3-2 EN/CEI61000-3-3 EN/CEI61000-4-2 EN/CEI61000-4-4 EN/CEI61000-4-5 EN/CEI61000-4-11 EN/CEI61000-4-8 EN/CEI61000-4-6 EN/CEI61000-4-3

Distancias de separación recomendadas entre el equipamiento de comunicaciones portátil y móvil RF y el producto

El producto ha sido diseñado para su uso en un entorno electromagnético en el que se controlen las alteraciones radiadas RF. El cliente o el usuario del producto puede ayudar a prevenir las interferencias electromagnéticas manteniendo una distancia mínima entre el equipamiento de comunicaciones portátil y móvil RF (transmisores) y el producto, tal y como se recomienda a continuación, según la potencia de salida máxima del equipamiento de comunicación.

Índice de potencia de salida máxima del transmisor	Distancia de separación según la frecuencia del transmisor m		
	150 kHz a 80 MHz $d = 1,2 \sqrt{P}$	80 MHz a 800 MHz $d = 1,2 \sqrt{P}$	800 MHz a 2,5 GHz $d = 2,3 \sqrt{P}$
0,01	0,12	0,12	0,23
0,1	0,38	0,38	0,73
1	1,2	1,2	2,3
10	3,8	3,8	7,3
100	12	12	23

Para transmisores con un índice de potencia máximo no incluido anteriormente, la distancia de separación recomendada "d" en metros (m) puede estimarse usando la ecuación aplicable a la frecuencia del transmisor, donde "P" es el índice de potencia de salida máximo del transmisor en vatios (W), según el fabricante del transmisor.

NOTA 1: A 80 MHz y 800 MHz, será de aplicación el rango de frecuencia más elevado.




NOTA 2: Estas directrices no serán de aplicación para todas las situaciones. La propagación electromagnética se ve afectada por la absorción y reflexión de estructuras, objetos y personas.

Obrigado por ter adquirido o Varios Combi Pro. Leia atentamente este Manual de instruções antes da utilização para dispor de instruções de utilização, cuidado e manutenção, prolongando a vida útil do produto através de uma utilização correta. Mantenha este Manual de instruções acessível para consulta pelos utilizadores.

– Índice –

1. Utilizador e Utilização prevista	121
2. Cuidados de manuseamento e utilização	121
3. Lista de acessórios.	125
4. Nomes dos componentes	126
5. Instalação	128
6. Verificar antes do tratamento	131
7. Utilizar o modo Ultrasonic	132
8. Utilizar o modo Powder	136
9. Manutenção	140
10. Cuidados e manutenção	145
11. Outras funções	150
12. Verificações periódicas de manutenção	151
13. Código de erro	151
14. Resolução de problemas.	152
15. Especificações	155
16. Classificação do equipamento.	155
17. Princípio de funcionamento.	156
18. Símbolos	156
19. Garantia	156
20. Lista de peças opcionais.	157
21. Lista de peças sobresselentes	157
22. Eliminação do produto	158
23. Informação CEM (Compatibilidade Eletromagnética)	158

* Algumas secções estão indicadas com a(s) marca(s) abaixo para mostrar o(s) modo(s) relacionado(s) com a secção.

 ULTRASONIC	Descrição relativa ao modo Ultrasonic
 POWDER PROPHY	Descrição relativa ao modo Prophy no modo Powder
 POWDER PERIO	Descrição relativa ao modo Perio no modo Powder



1 Utilizador e Utilização prevista

Utilizador: Dentista, higienista dental

Utilização prevista: Limpeza da superfície dos dentes, remoção da placa bacteriana ou tártaro, ressecção dos dentes, expansão ou limpeza de canal radicular, remoção de substâncias estranhas, obturação do canal radicular, melhorar a colagem de restaurações fixas, incisão ou remoção do tecido periodontal

2 Cuidados de manuseamento e utilização

- Leia atentamente estas instruções e utilize o produto unicamente conforme previsto ou indicado.
- As instruções de segurança pretendem evitar perigos potenciais causadores de lesões pessoais ou de danos no aparelho. As instruções de segurança são classificadas como se segue de acordo com a gravidade do risco.

Classe	Grau de risco
 ATENÇÃO	Perigo que pode resultar em ferimentos graves ou danos no aparelho se as instruções de segurança não forem devidamente respeitadas.
 CUIDADO	Perigo que pode resultar em ferimentos ligeiros ou moderados ou danos no aparelho se as instruções de segurança não forem devidamente respeitadas.
IMPORTANTE	Especificação geral do produto destinada a evitar falhas e redução do desempenho do produto.

⚠ ATENÇÃO

<Modo Ultrasonic e modo Powder>



- Não manuseie o cabo de alimentação com as mãos molhadas. O contacto de mãos molhadas com eletricidade pode causar um choque elétrico.
- Mantenha o produto afastado de substâncias explosivas e materiais inflamáveis.
- Se o produto sobreaquecer ou se cheirar a queimado, desligue imediatamente a energia e o cabo de alimentação. Contacte um distribuidor autorizado NSK.
- PARA EVITAR CHOQUES ELÉTRICOS, utilize uma tomada elétrica com ligação à terra.
- Não utilize perto de pacientes com pacemakers cardíacos uma vez que existe um perigo de afetar o pacemaker.
- O sistema funciona normalmente no ambiente onde a temperatura varia entre 0 - 40°C, humidade a 35 - 75% RH e sem condensação de humidade na unidade de controle. A utilização em condições fora destes limites pode causar avarias.
- Não permita a entrada de água ou líquido desinfetante na unidade de controle. Isto pode provocar curtos-circuitos e originar um incêndio e/ou choque elétrico.
- Colocar repetidamente o interruptor principal em ON e OFF pode queimar um fusível.
- Se gotas de água, químicos, solventes ou solução antisséptica entrarem em contacto com a unidade de controle, peça de mão, cabo da peça de mão, mangueira da peça de mão, etc, limpe-os imediatamente. Caso contrário, pode resultar em descoloração ou deformação.
- Ligue a um sistema de abastecimento público de água que fornece água potável com uma pressão entre 0,1 e 0,3 MPa. Utilizar com uma pressão de água incorreta pode resultar numa alimentação insuficiente de água, inoperabilidade ou avarias.
- Utilize um amaciador de água, etc. para baixar a dureza da água, uma vez que utilizar água com um elevado grau de dureza pode causar depósitos minerais ou calcários no circuito de água, o que pode resultar em problemas como níveis insuficientes de água, problemas de funcionamento ou avarias. Ao fazer isto, utilize um tubo de água com um filtro de água para evitar avarias no dispositivo devido às substâncias estranhas na água da torneira e consulte "10-3 Substituir o filtro de água" para substituir o filtro de água, conforme necessário.
- Não esterilize utilizando luz ultravioleta. Caso contrário, pode resultar em descoloração da peça de mão.
- Segure a ficha ao retirar o cabo da peça de mão ou a mangueira da peça de mão. Puxar o cabo ou mangueira pode causar desativação ou danos.

<Modo Ultrasonic>



- Utilize sempre a alimentação de água. Uma alimentação insuficiente de água resulta em sobreaquecimento, o que pode danificar a superfície do dente do paciente.
- Não permita que o paciente ou assistente olhe diretamente para o LED da peça de mão ou cabo da peça de mão. Caso contrário, pode prejudicar a visão.

<Modo Powder>



- Não utilize nos pacientes seguintes.
 - Com complicações médicas ou alérgicas
 - Com condições prévias como, por exemplo, distúrbios cardíacos, pulmonares e renais ou tensão arterial elevada
 - Com doenças respiratórias.
 - Com bolsas periodontais patologicamente profundas (6 mm ou mais) ou lesões da mucosa. Aplicação prolongada da pulverização para suavizar o tecido ou glândulas salivares pode causar a entrada de ar com pó no tecido mole ou glândulas salivares, resultando num enfisema.
 - Com úlceras gástricas graves.
 - Com disfunções renais.
 - Com distúrbios pulmonares ou cardíacos ou deficiências respiratórias.
 - Com válvula cardíaca artificial ou articulação artificial
 - Com alergias. Consoante a constituição do paciente, podem surgir sintomas de alergias ou estomatite em casos muito raros. Se tais sintomas forem detetados, pare imediatamente a utilização do produto e consulte um médico.
- Durante a utilização, o operador e o assistente devem usar sempre óculos e máscaras de proteção. Além disso, aspire continuamente e recolha o pó ejetado durante a utilização. Se algum pó entrar em contacto com os olhos, lave imediatamente com bastante água e consulte um oftalmologista.
- Defina a pressão de ar de alimentação para 0,55 - 0,75 MPa e utilize ar limpo e seco. Utilizar com uma pressão incorreta pode resultar numa pressão (alimentação) insuficiente de pulverização, inoperabilidade ou avarias.

<Modo Prophy>



- Não pulverize diretamente para o cimento no canal radicular, esmalte descalcificado, preenchimento, margem de uma prótese ou preenchimento.

⚠️ ATENÇÃO

<Modo Perio>



- Ao utilizar o modo Perio, preste atenção para não causar enfisemas à medida que o ar com pó é pulverizado para as bolsas periodontais. Se o enfisema for causado por tratamento utilizando o modo Perio, pare imediatamente a utilização do produto e consulte um médico.
- Não utilize nos pacientes seguintes. Utilizar em bolsas periodontais nestes pacientes pode resultar em bacilemia.
 - Pacientes com inflamação endocárdica
 - Pacientes com uma doença contagiosa
 - Pacientes com uma doença de imunodeficiência (neutropenia, granulocitopenia, agranulocitose, diabetes, hemofilia)
 - Pacientes em tratamento por radiação, quimioterapia ou tratamento com antibióticos
- Não utilize nos pacientes seguintes. (Exceto a utilização sem a ponta do bico)
 - Com danos ou anomalias na cavidade oral.
 - Com hiperemia, hemorragia ou inflamação na cavidade oral.
 - Com tendência a desenvolver inflamações ou feridas na membrana mucosa oral.
- Utilize este produto apenas para manutenção após tratamento periodontal básico. Nunca utilize para outros fins.
- Utilize o modo Perio apenas nas bolsas periodontais que cumprem as condições seguintes:
 - Bolsas periodontais causadas pela doenças das gengivas
 - Bolsas periodontais inferiores a 6 mm que fizeram tratamento periodontal básico
- Verifique a profundidade das bolsas periodontais com uma sonda de medição ou fotografia antes da utilização.
- Utilize apenas o pó de limpeza designado. A utilização de outros pós pode resultar em avarias, desempenho reduzido ou danos na substância óssea e dentina ou pode causar enfisemas. A NSK não é responsável por problemas que ocorrem como resultado da utilização de um pó que não aquele designado.
- A ponta do bico para o modo Perio incluída na embalagem do produto é um item estéril. Respeite as instruções seguintes durante a utilização destes produtos.
 - A ponta do bico é um item de utilização única. Não reutilize nem esterilize, caso contrário, podem ocorrer avarias no produto ou infeções.
 - Antes da utilização, certifique-se de que a embalagem NÃO está aberta nem danificada. Se a embalagem estiver aberta ou danificada, não utilize a ponta do bico uma vez que pode estar danificada ou contaminada.
 - Cumpra o prazo de validade escrito na etiqueta da embalagem da ponta do bico. Não utilize produtos expirados uma vez que podem ocorrer avarias no produto ou infeções.

⚠️ CUIDADO

<Modo Ultrasonic e modo Powder>



- Leia este Manual de instruções antes de utilizar o produto para compreender as funções na íntegra e guarde-o para consulta futura.
- Considere sempre a segurança do paciente ao manusear o produto.
- O utilizador final será responsável pela decisão de aplicar este produto num paciente.
- Os utilizadores são responsáveis pelo controlo operacional, pela manutenção e pela inspeção permanente do produto.
- Este aparelho destina-se exclusivamente a utilização em ambiente interior.
- Mantenha a unidade de controlo numa superfície nivelada.
- Não tente desmontar o produto nem modificar o seu mecanismo, exceto da forma recomendada pela NSK neste Manual de instruções.
- Evite quaisquer impactos no produto. Não deixe cair o produto. A barra de vidro e a peça de mão podem ficar danificados se a peça de mão ultrassónica cair.
- Os operadores e as restantes pessoas na área devem usar proteção ocular e máscara durante a utilização deste produto.
- Se o produto não funcionar corretamente, suspenda imediatamente a utilização e contacte um distribuidor autorizado NSK.
- Empurre a peça de mão por completo para o cabo da peça de mão ou mangueira da peça de mão ao efetuar a ligação.
- Não esterilize o cabo da peça de mão ou a mangueira da peça de mão em autoclave. Utilize o álcool desinfetante para desinfetar o cabo ou a mangueira após a utilização.
- Não esfregue, limpe nem mergulhe o produto em água muito ácida nem em soluções esterilizantes.
- Este produto não é entregue numa condição estéril, exceto para a ponta do bico (opção) e tem de ser esterilizado em autoclave antes da utilização. Consulte “9-3 Esterilização” para mais informações.
- Efetue inspeções regulares de funcionamento e de manutenção.
- Se o produto não for utilizado durante um período prolongado, verifique se funciona corretamente antes de voltar a utilizá-lo num paciente.
- Para evitar a inatividade clínica, recomenda-se dispor de um sistema suplementar para a eventualidade de uma avaria durante a cirurgia.
- Substitua sempre o fusível por um com a mesma classificação.
- Este produto está classificado como equipamento médico elétrico. A CEM (compatibilidade eletromagnética) está descrita na documentação anexada.
- A instalação e a utilização do produto exigem cuidados especiais de compatibilidade eletromagnética em conformidade com a informação respetiva.
- Os equipamentos de comunicações RF portáteis e móveis podem afetar o equipamento médico elétrico. Não utilize equipamento RF na proximidade do produto.
- A utilização de ACESSÓRIOS como peças de mão e cabos diferentes dos especificados pelo fabricante, exceto as peças de mão e os cabos comercializados pelo fabricante do produto como peças sobresselentes para componentes internos, pode provocar um aumento das EMISSÕES ou uma diminuição da IMUNIDADE deste produto.
- Este produto não deve ser utilizado próximo ou sobre outro equipamento. Caso isto não possa ser evitado, o produto deve ser vigiado para comprovar o funcionamento normal na configuração selecionada.

⚠ CUIDADO

- O sistema pode funcionar incorretamente se for utilizado na presença de ondas de interferência eletromagnética. Não instale o sistema junto de dispositivos que emitam ondas magnéticas. Desligue o interruptor principal do sistema se houver um aparelho de oscilação ultrassônica ou bisturi elétrico próximo do local de utilização.
- A legislação norte-americana limita a venda deste aparelho por ou sob encomenda de um médico autorizado.
- Para maior segurança, instale a unidade de controlo num local onde o cabo de alimentação CA possa ser retirado facilmente. (É possível desligar a unidade de controlo da fonte de alimentação retirando o cabo de alimentação CA.)

<Modo Ultrasonic>



- A temperatura da superfície da ponta pode atingir os 65°C sem utilizar água de arrefecimento. Para evitar isto, certifique-se de que utiliza água de arrefecimento.

<Modo Powder>

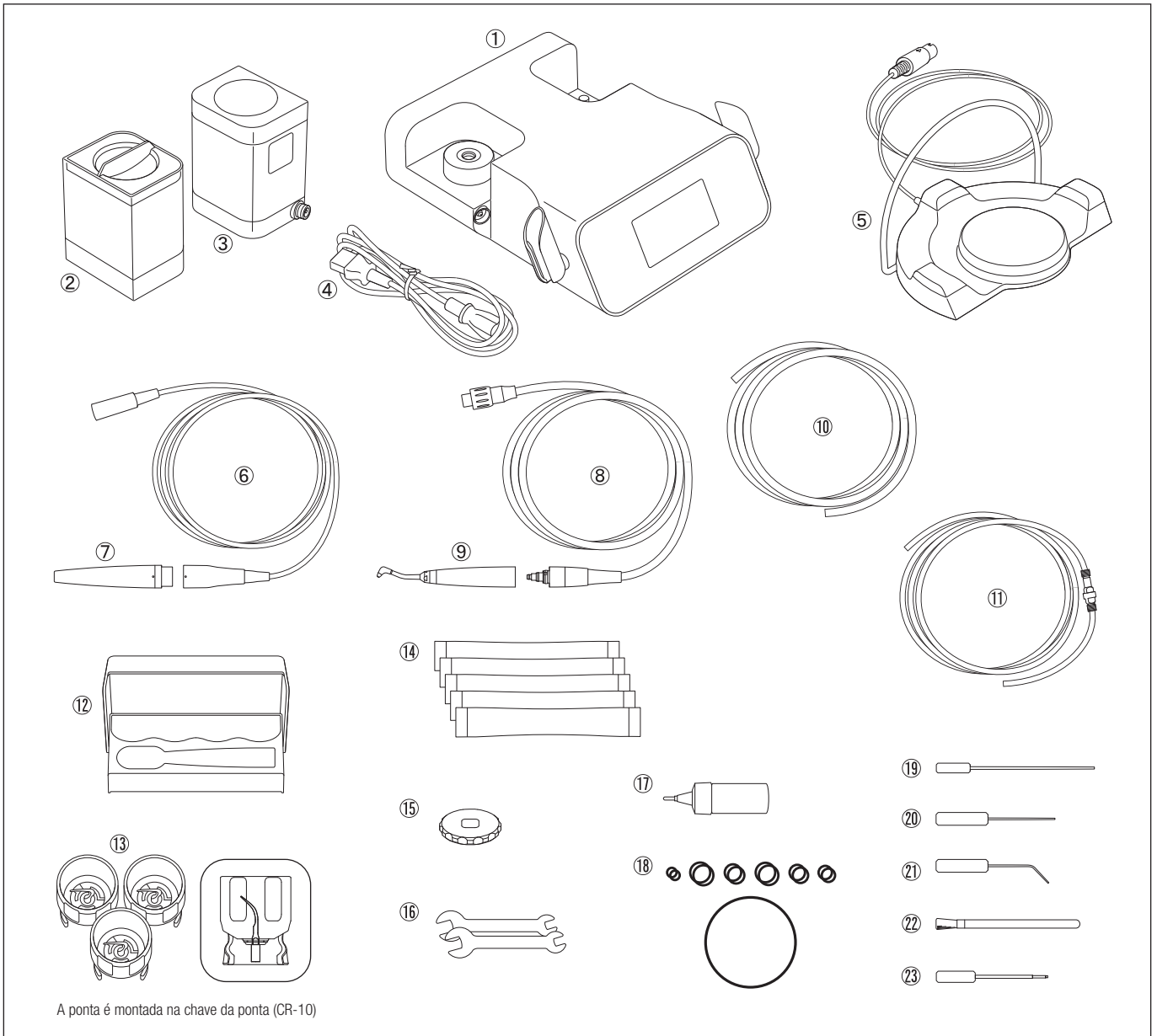


- Tenha cuidado para garantir que o pó de limpeza não entra nas áreas mucosas do paciente (olhos, nariz, etc.) que não a cavidade oral. Além disso, proteja o rosto com uma toalha ou óculos de proteção, etc, para evitar que o pó de limpeza entre em contacto com os olhos do paciente.
* Se o paciente usar lentes de contacto, peça-lhe para usar óculos de proteção ou retirar as lentes de contacto antes do tratamento.
- Certifique-se de que o ar comprimido fornecido é limpo e seco. Conteúdo de água ou óleo misturado na alimentação de ar pode causar a solidificação do pó de limpeza no interior do produto.
- Aperte firmemente a tampa da câmara para evitar que a tampa da câmara se solte e provoque lesões.
- Não abra a tampa da câmara durante a utilização. Caso contrário, pode resultar na ejeção de pó a partir da tampa da câmara devido a alta pressão na câmara.
- Antes de ligar a mangueira da peça de mão, câmara e peça de mão ou a câmara e unidade de controle, certifique-se de que retira toda a água das ligações da mangueira e da câmara com ar seco. Caso contrário, pode resultar na entrada de humidade na alimentação de ar, causando solidificação do pó de limpeza no interior do produto.
- Dependendo do ambiente de utilização, a temperatura da superfície do contra ângulo de pó pode atingir os 50°C.
- Se for colocado demasiado pó de limpeza na câmara, a quantidade certa de pó pode não ser pulverizada aquando do início da utilização.
- O pó espalha-se facilmente porque é muito fino. Encha lentamente a câmara e certifique-se de que evita que o pó se espalhe.
- O pó armazenado durante muito tempo numa embalagem aberta pode tornar-se húmido e obstruir. Utilize sempre pó novo e seco. Ao utilizar pó engarrafado (opção), aperte bem a tampa da garrafa após a utilização.
- Aplique vaselina, etc, nos lábios do paciente para evitar secura nos cantos da boca.

IMPORTANTE

- Este aparelho não requer formação específica.
- O autoclave repetido pode causar a descoloração da peça de mão ultrassônica devido ao calor. No entanto, isto deve-se a propriedades do produto e não é um problema em termos de qualidade.

3 Lista de acessórios



A ponta é montada na chave da ponta (CR-10)

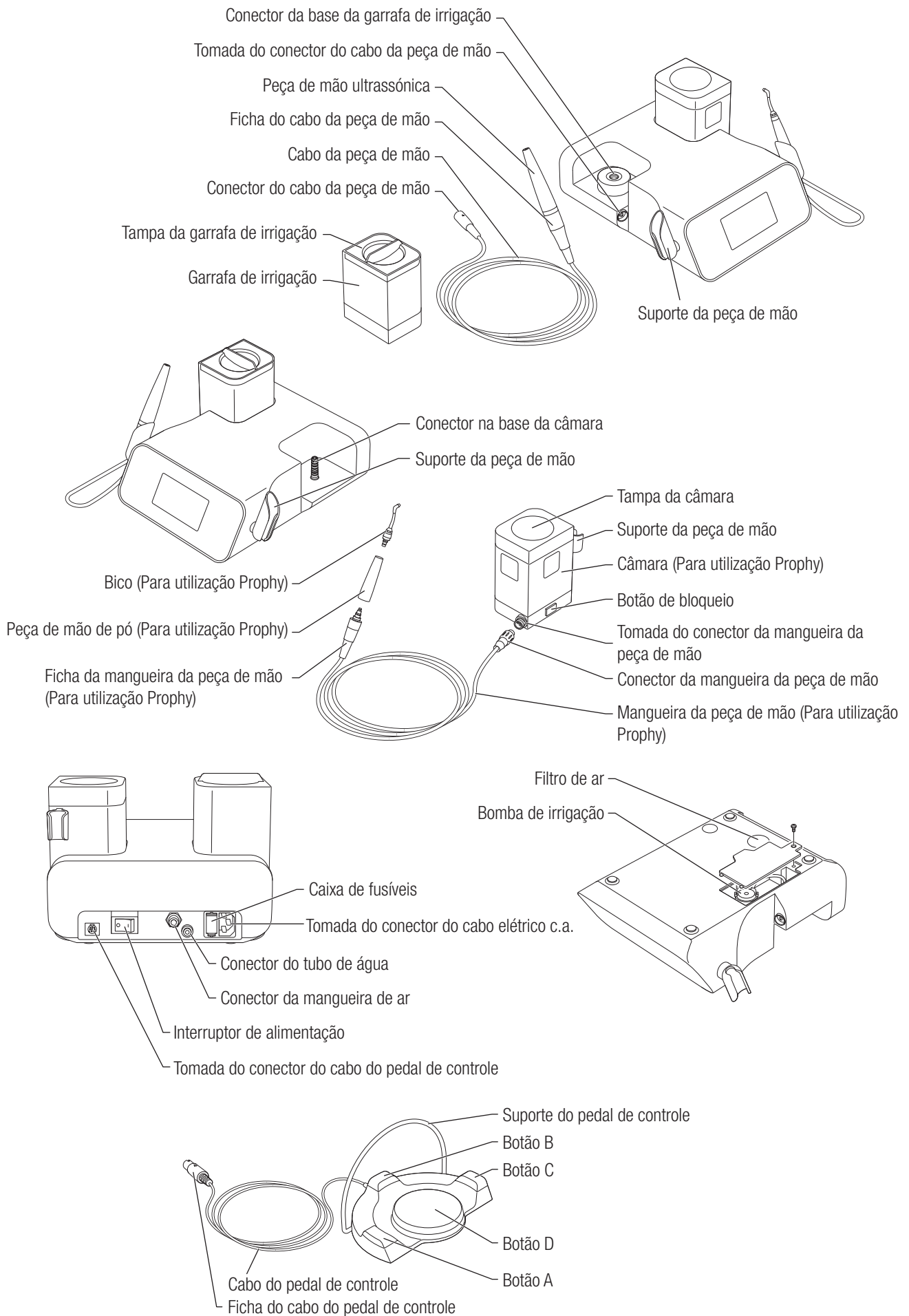
N.º	Nome da peça	Quantidade	N.º	Nome da peça	Quantidade
1	Unidade de controle	1	14	FLASH pearl	5
2	Garrafa de irrigação	1	15	Chave de luneta	1
3	Câmara (Para utilização Prophy)	1	16	Chave de aperto (5x8)	2
4	Cabo Elétrico c.a.	1	17	Óleo de turbina	1
5	Pedal de controle	1	18	Anel vedante sobresselente	7 tipos
6	Cabo da Peça de Mão	1	19	Lima de limpeza (L)	1
7	Peça de mão ultrassónica	1	20	Lima de limpeza (S)	1
8	Mangueira da peça de mão (Para utilização Prophy)	1	21	Lima de limpeza	1
9	Peça de mão de pó (Para utilização Prophy)	1	22	Escova de limpeza	1
10	Mangueira de ar	1	23	Ferramenta de desbloqueio	1
11	Conjunto do Tubo de Água	1	24	Manual de instruções (Este manual)*	1
12	Estojo de Esterilização	1	25	Guia de Potência da Ponta*	1
13	Ponta e chave da ponta (CR-10)	3	26	Cartão da Ponta*	1
			27	Guia rápido de funcionamento do Varios Combi Pro*	1

* Não mostrado nas imagens acima

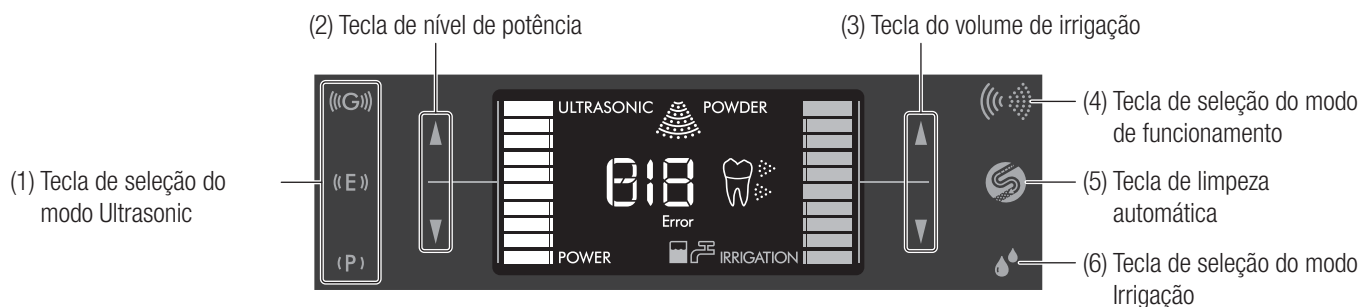
IMPORTANTE • FLASH pearl e o pó Perio-Mate (opção) utilizado no modo Powder são referidos como "Powder" neste Manual de instruções a menos que seja indicado o contrário.

- O kit Perio opcional necessita de ser comprado separadamente de modo a utilizar o modo Perio. Consulte "20 Lista de peças opcionais" para mais informações sobre o kit Perio.

4 Nomes dos componentes



4-1 Painel de controlo



(1) Tecla de seleção do modo Ultrasonic

Comuta o modo Ultrasonic entre P (Perio), E (Endo), G (Geral). O nível de potência mais forte é G, seguido de E e P. O nível de potência, o nível de irrigação e o modo Irrigação podem ser definidos para cada modo.

(2) Tecla de nível de potência

Define o nível de potência utilizando as teclas ▲/▼.

(3) Tecla do volume de irrigação

Define o volume de irrigação utilizando as teclas ▲/▼.

(4) Tecla de seleção do modo de funcionamento

Comuta entre "Modo Ultrasonic" e "Modo Powder".

(5) Tecla de limpeza automática

Inicia a limpeza automática. Consulte "9-1-1 Limpeza automática" (Peça de mão ultrassónica) ou "9-2-1 Limpeza automática" (Peça de mão de pó) para mais informações.

Modo Ultrasonic:

Pulveriza água da torneira durante 15 segundos, de seguida, pulveriza água da garrafa de irrigação durante 30 segundos para limpar a peça de mão ultrassónica.

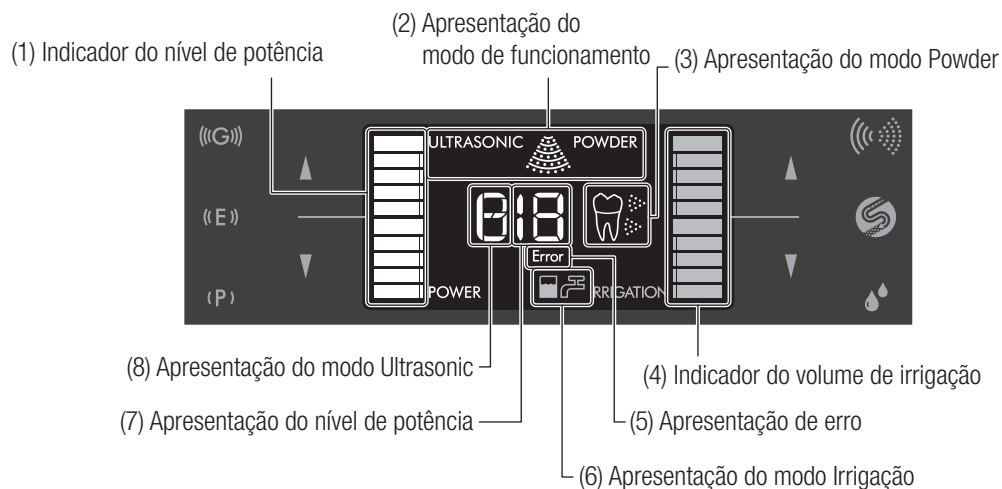
Modo Powder:

Pulveriza ar e água ao mesmo tempo durante 10 segundos e, de seguida, pulveriza apenas ar durante 35 segundos.

(6) Tecla de seleção do modo Irrigação

Comuta o modo Irrigação (garrafa ou água da torneira) para o modo Ultrasonic. É sempre utilizada água da torneira para o modo Powder.

4-2 Painel LCD



(1) Indicador do nível de potência

Apresenta a potência atual no indicador do gráfico de barras.

(2) Apresentação do modo de funcionamento

Apresenta o modo de funcionamento atual (Ultrasonic ou Powder).

(3) Apresentação do modo Powder

Apresenta a câmara definida (Prophy ou Perio) (apenas quando o modo Powder está em utilização).

(4) Indicador do volume de irrigação

Apresenta o nível de irrigação selecionado no indicador do gráfico de barras.

(5) Apresentação de erro

Apresentado quando ocorre um erro. Consulte "13 Código de erro" para mais informações.

(6) Apresentação do modo Irrigação

Apresenta o modo Irrigação (garrafa ou água da torneira) para o modo Ultrasonic. É sempre utilizada água da torneira para o modo Powder.

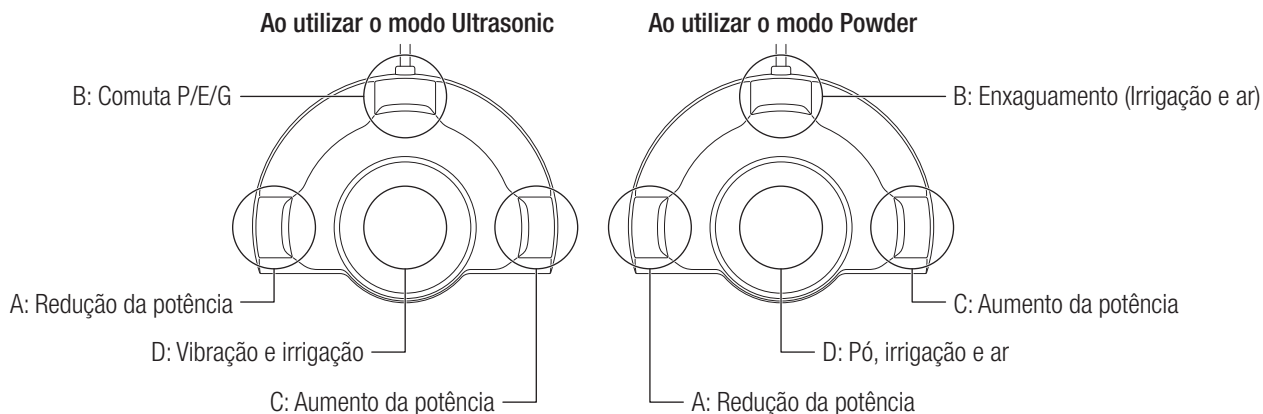
(7) Apresentação do nível de potência

Apresenta o nível de potência atual como um número.

(8) Apresentação do modo Ultrasonic

Apresenta o modo Ultrasonic atual (P/E/G).

4-3 Pedal de controle



Modo Ultrasonic

- A: Redução da potência
Reduz o nível de potência.
- B: Comuta P/E/G (Modo Ultrasonic)
Comuta o modo Ultrasonic pela ordem de P (Perio) → E (Endo) → G (Geral) → P (Perio)... sempre que o botão é premido.
- C: Aumento da potência
Aumenta o nível de potência.
- D: Vibração e irrigação
Vibra e irriga enquanto o botão é premido.

Modo Powder

- A: Redução da potência
Reduz o nível de potência.
- B: Enxaguamento (Irrigação e ar)
Pulveriza água e ar enquanto o botão é premido.
- C: Aumento da potência
Aumenta o nível de potência.
- D: Pó, irrigação e ar
Pulveriza pó, água e ar enquanto o botão é premido.

5 Instalação

5-1 Ligar o cabo elétrico c.a.

- 1) Coloque o interruptor de alimentação em OFF antes de ligar o cabo elétrico c.a.
- 2) Introduza o cabo elétrico c.a. de modo a encaixar corretamente na tomada do conector do cabo elétrico c.a. na parte traseira da unidade de controle (Fig. 1).
- 3) Ligue o cabo elétrico c.a. a uma tomada de parede especificada para utilização médica.



- Não puxe o cabo elétrico c.a.
- Certifique-se de que o aparelho parou por completo antes de retirar ou introduzir o cabo elétrico c.a.

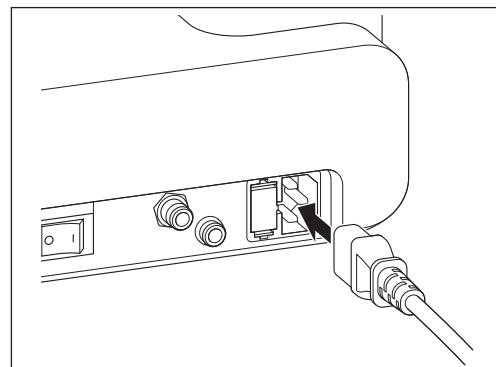


Fig. 1

5-2 Ligar a mangueira de ar

- 1) Introduza uma extremidade da mangueira de ar no conector da mangueira de ar (Fig. 2).
- 2) Puxe suavemente a mangueira de ar e certifique-se de que a mangueira não sai.
- 3) Para retirar a mangueira de ar, puxe a mangueira de ar enquanto pressiona o anel azul na direção da unidade de controle (Fig. 3).



- Utilize ar limpo e seco. O pó pode obstruir se o ar tiver humidade ou óleo.

CUIDADO

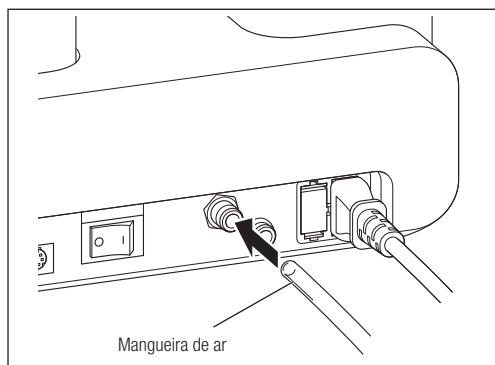


Fig. 2

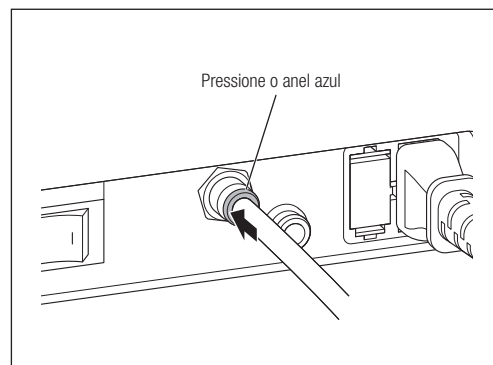


Fig. 3

5-3 Ligar o pedal de controle

- 1) Introduza o suporte do pedal de controle de modo a encaixar corretamente nos orifícios na parte traseira do pedal de controle (Fig. 4).
- 2) Introduza a ficha do pedal de controle na tomada do conector do cabo do pedal de controle com a marca ▲ virada para cima (Fig. 5).

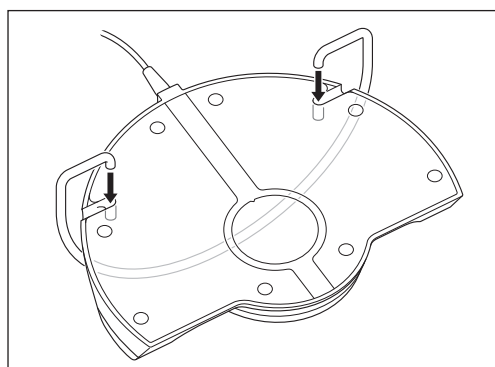


Fig. 4

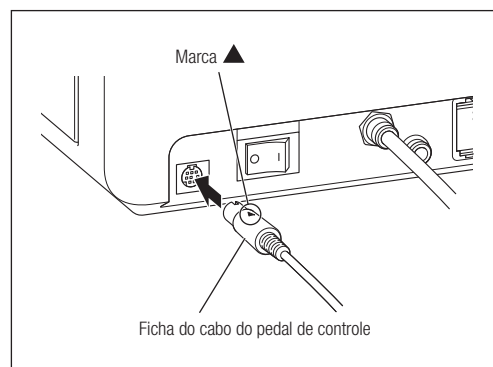


Fig. 5



5-4 Ligar o cabo da peça de mão (Peça de mão ultrassónica)

Ligue o conector do cabo da peça de mão à tomada do conector do cabo da peça de mão com a marca ▲ virada para cima (Fig. 6). Introduza ao máximo.



- Certifique-se de que a ficha do cabo da peça de mão está limpa e seca antes da ligação.

CUIDADO

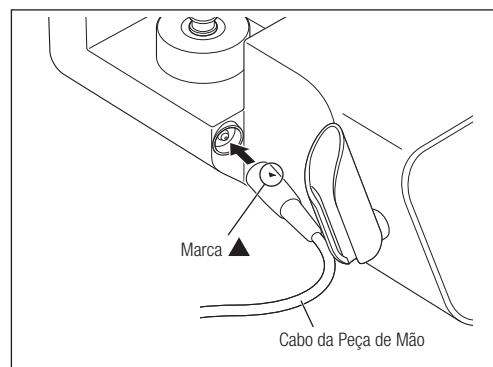


Fig. 6

5-5 Ligar a mangueira da peça de mão (Peça de mão de pó)

- 1) Utilize ar para secar a tomada do conector da mangueira da peça de mão e conector da mangueira da peça de mão.
- 2) Introduza o conector da mangueira da peça de mão de modo a encaixar corretamente no orifício na tomada do conector da mangueira da peça de mão e aperte a porca do conector (Fig. 7).

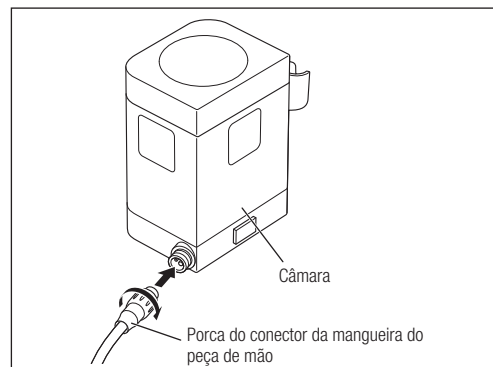


Fig. 7

5-6 Ligar e desligar a peça de mão



- Certifique-se de que utiliza apenas a peça de mão fornecido.

CUIDADO



5-6-1 Peça de mão ultrassônica

(1) Ativação

Alinhe os pontos na peça de mão ultrassônica e na ficha do cabo da peça de mão. Introduza a peça de mão a direito no conector (Fig. 8).

(2) Desativação

Segure a peça de mão ultrassônica e a ficha do cabo da peça de mão e retire a peça de mão.

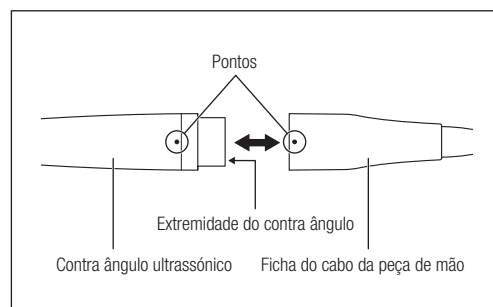


Fig. 8



- Para evitar um choque elétrico, não toque nos contactos elétricos posteriores da peça de mão e no cabo da peça de mão.

ATENÇÃO



CUIDADO

- Não torça a peça de mão ou o cabo da peça de mão ao remover a peça de mão. Caso contrário, pode danificar os contactos elétricos do conector, resultando em avarias.
- Antes de ligar o cabo da peça de mão à peça de mão, vire-se para o lado do conector da peça de mão para que a luz ilumine e verifique a extremidade da peça de mão. Se a luz transmitida pela Face da Extremidade de Fibra Ótica na extremidade estiver uniformemente clara, está a funcionar normalmente. Se estiver total ou parcialmente escura, a Face da extremidade pode estar fissurada ou partida.

5-6-2 Peça de mão de pó

(1) Ativação

- 1) Utilize ar para secar a ligação entre a peça de mão e a ficha da mangueira da peça de mão.
- 2) Introduza a peça de mão de pó a direito na ficha da mangueira da peça de mão (Fig. 9).

(2) Desativação

Segure a peça de mão de pó e a ficha da mangueira da peça de mão e retire a peça de mão.

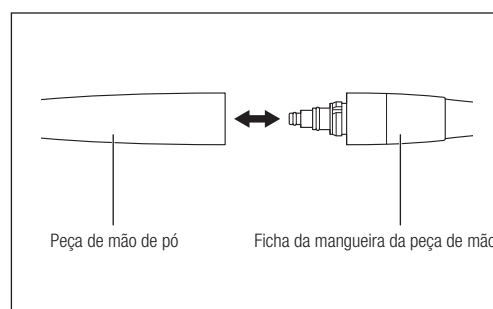


Fig. 9

5-7 Ligar o tubo de água

- 1) Introduza uma extremidade do tubo de água (a extremidade com o filtro de água) no conector do tubo de água (Fig. 10).
- 2) Ligue a outra extremidade do tubo de água à saída de água na unidade dentária.
- 3) Puxe suavemente o tubo de água e certifique-se de que o tubo não sai.
- 4) Para retirar o tubo de água do conector do tubo de água, puxe o tubo de água enquanto pressiona o anel verde na direção da unidade de controle (Fig. 11).

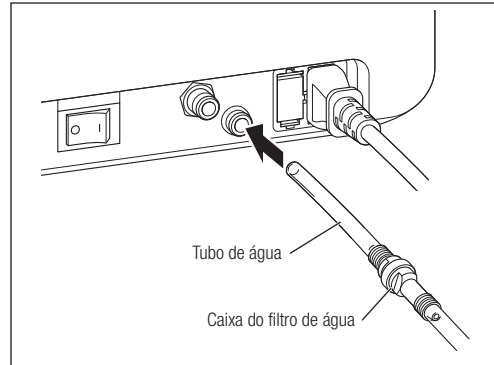


Fig. 10

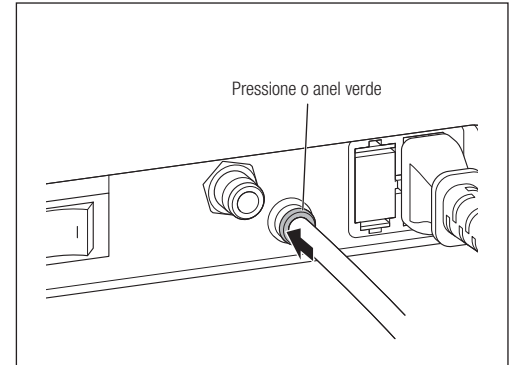


Fig. 11

ATENÇÃO

- Utilize um amaciador de água, etc. para baixar a dureza da água, uma vez que utilizar água com um elevado grau de dureza pode causar depósitos minerais ou calcários no circuito de água, o que pode resultar em problemas como níveis insuficientes de água, problemas de funcionamento ou avarias. Ao fazer isto, utilize um tubo de água com um filtro de água para evitar avarias no dispositivo devido às substâncias estranhas na água da torneira e consulte "10-3 Substituir o filtro de água" para substituir o filtro de água, conforme necessário.

CUIDADO

- Se a saída de água na unidade dentária não tiver sido utilizada durante muito tempo, a água pode conter ferrugem, etc, quando é utilizada pela primeira vez. Certifique-se de que a água está limpa antes de ligar o tubo de água.
- Introduza o tubo de água no conector do tubo de água ao ligá-lo à unidade de controle. Pode sair água se o tubo não for introduzido corretamente.

6 Verificar antes do tratamento

Antes da utilização, utilize o produto sem um paciente presente para confirmar que não existe vibração anormal, ruído, calor, etc. Verifique também os pontos seguintes.

- Peça de mão ultrassônica: Luzes LED e caudais de água.
- Peça de mão de pó: Pó, ar e água são fornecidos corretamente.

Se reparar em algo anormal ao verificar ou utilizar este produto, pare imediatamente a utilização e contacte um distribuidor autorizado NSK. Ao efetuar a limpeza automática, a água no interior da mangueira/do cabo da peça de mão é ejetada, o que pode causar a paragem do fluxo da água da próxima vez que utilizar a unidade de controlo. Se isso acontecer, defina o volume de irrigação para 10 e utilize a peça de mão durante cerca de 30 segundos após o início da saída da água. Consulte "14 Resolução de problemas" caso a água não saia ao fim de mais de 20 segundos, mesmo que tenha definido o volume de irrigação para 10.

7 Utilizar o modo Ultrasonic

7-1 Instalação do sistema de água

Utilizar a garrafa

- 1) Retire a tampa do pó do conector da base da garrafa de irrigação (Fig. 12).
- 2) Retire a tampa da garrafa de irrigação e encha a garrafa com água ou solução desinfetante até ao nível pretendido.
- 3) Feche a tampa da garrafa de irrigação e introduza a junta da garrafa a direito no conector da base da garrafa de irrigação (Fig. 13).
Puxe a garrafa de irrigação para cima para a remover.

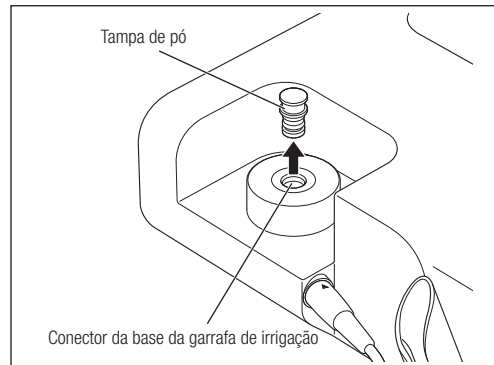


Fig. 12

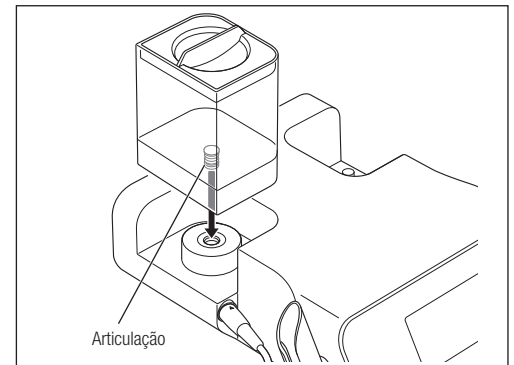


Fig. 13



- Utilize apenas a garrafa da série Varios Combi Pro dedicada.
- Introduza a garrafa de irrigação a direito. Caso contrário, pode danificar o anel vedante.
- Limpe a garrafa de irrigação e a tampa da garrafa de irrigação com água limpa após a utilização e antes do armazenamento.
- Coloque a tampa de pó no conector da base da garrafa de irrigação quando a garrafa de irrigação não está instalada.
- Certifique-se de que a temperatura do líquido é inferior a 35°C.
- Não coloque ácidos fortes (como água muito ácida, água super ácida ou água com eletrólise) ou água ácida hipoclorosa na garrafa de irrigação uma vez que pode causar obstrução por água ou corrosão do metal.

Utilizar água da torneira

- 1) Certifique-se de que o tubo de água está bem ligado ao conector do tubo de água da unidade de controle. Consulte "5-7 Ligar o tubo de água" para mais informações.
- 2) Abra a válvula de água da unidade dentária e defina a pressão de água entre 0,1 - 0,3 MPa (1,0 - 3,0 kgf/cm²). Se a pressão de água exceder 0,3 MPa, utilize uma válvula de redução da pressão de água (opção) para ajustar a pressão de água para o intervalo especificado. Consulte a "20 Lista de peças opcionais" para mais informações sobre a válvula de redução da pressão de água.

7-2 Instalar a ponta

- 1) Certifique-se de que as partes de rosca da peça de mão e da ponta estão limpas (Fig. 14).
- 2) Empurre a ponta para a extremidade distal da peça de mão e aparafuse a ponta até estar ligeiramente apertada (Fig. 15).

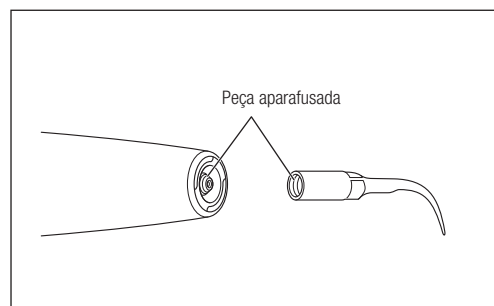


Fig. 14

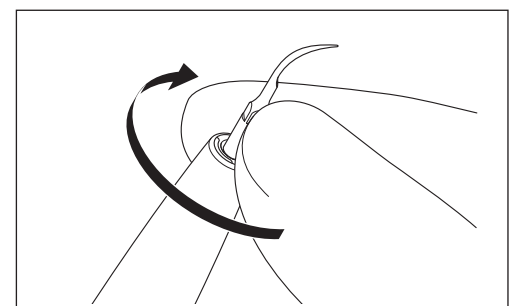


Fig. 15

3) Alinhe a forma quadrada da ponta com o orifício da chave da ponta (CR-10), de seguida, introduza a ponta no orifício. Rode a chave até ouvir um clique e não rodar mais. Durante este procedimento, segure a peça de mão de modo a que o cabo da peça de mão não fique torcido. Ao remover a ponta, rode a chave no sentido da seta "Desapertar" (Fig. 16).

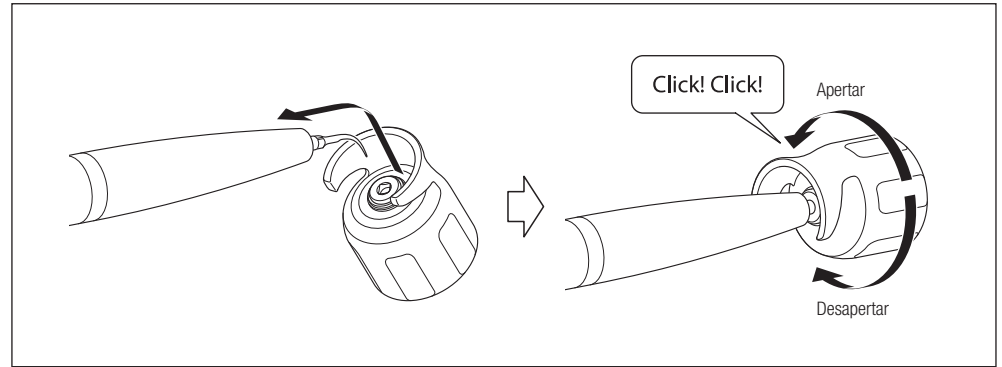


Fig. 16

ATENÇÃO

- Não permita o contacto com as gengivas, mucosa e/ou pele. Caso contrário, pode resultar em ferimentos ou queimaduras.
- UTILIZE APENAS pontas genuínas da NSK ao utilizar este produto. Os problemas como danos na peça de mão, falhas e acidentes resultantes da utilização de pontas que não são da NSK não são abrangidos pela garantia. Os tipos seguintes de problemas podem ocorrer ao utilizar pontas que não são da NSK:
 - Vibração inadequada causada por parafusos incompatíveis.
 - Ingestão acidental de pontas quebradas por parte do paciente.
 - Danos ou desgaste prematuro do parafuso da peça de mão

CUIDADO

- Tenha cuidado para não torcer o cabo da peça de mão ao apertar a ponta.
- Tenha cuidado ao instalar ou remover uma ponta mais longa do que a chave da ponta (CR-10), uma vez que existe um risco de ferimentos a partir da extremidade da ponta.
- Não utilize uma ponta que tenha sido danificada, dobrada ou corroída uma vez que pode quebrar durante a utilização.
- Para evitar danos na rosca da ponta ou desencaixe da ponta, certifique-se sempre de que a ponta está introduzida no ângulo certo e bem apertada.
- Se forem encontrados resíduos na rosca da ponta, limpe imediatamente a ponta. Caso contrário, pode resultar em ruído ou vibração insuficiente.
- Não tente afiar ou dobrar a ponta uma vez que pode resultar na quebra da ponta durante a utilização, ruído ou vibração insuficiente.
- A ponta é um item de desgaste. As pontas gastas têm um risco maior de ruído, quebra ou vibração insuficiente. Substitua a ponta se ocorrer ruído ou vibração insuficiente.
- Utilize a chave da ponta (CR-10) fornecida para instalar a ponta. Rode a chave até ouvir um estalido e não rodar mais. Se a ponta não estiver suficientemente apertada, pode ocorrer vibração insuficiente ou ruído.
- Ao instalar uma ponta, use sempre luvas cirúrgicas estéreis e utilize uma ponta, peça de mão e chave da ponta (CR-10) esterilizados.
- Certifique-se de que a definição de potência não excede o nível de potência recomendado. Caso contrário, pode resultar em ruído, quebra da ponta ou ferimentos no paciente.
- Não utilize pontas que não se destinam a remover coroas metálicas ou postiças para este fim. Caso contrário, pode resultar na quebra da ponta e queda na boca do paciente.
- Retire a ponta antes de instalar ou remover a peça de mão ou o cabo da peça de mão para evitar ferimentos com a ponta.
- Se detetar vibração insuficiente durante a utilização, retire a peça de mão da boca do paciente e pressione novamente o pedal de controle. Se isto não melhorar a condição, a ponta pode desapertar durante a utilização. Certifique-se de que a ponta está bem instalada.
- Se a ponta ficar solta, fizer ruído ou não vibrar suficientemente apesar de ter sido apertada até ouvir um estalido, a chave da ponta (CR-10) pode estar gasta. A chave da ponta (CR-10) é um item de desgaste e deve ser substituída uma vez por ano.

■ Utilizar o cartão da ponta

⚠ CUIDADO

- As pontas são itens de desgaste. Utilize o cartão da ponta fornecido para verificar o estado da ponta e substitua a ponta, se necessário.

Coloque a haste da ponta no recorte do cartão da ponta. Meça o comprimento da ponta e verifique o momento da substituição (Fig. 17). Para garantir uma utilização segura e eficiente, é aconselhável substituir as pontas quando atingirem a linha amarela (1 mm de desgaste).

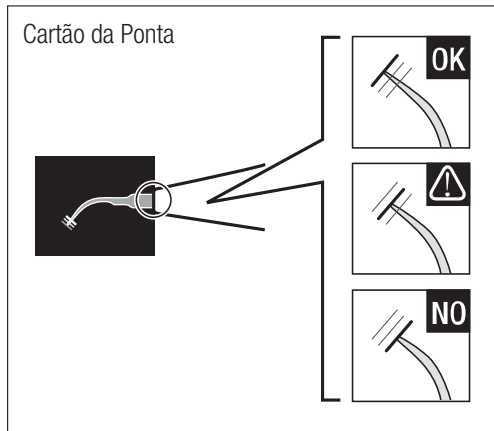


Fig. 17

Verde: Sem desgaste - Ponta OK
Não é necessário substituir a ponta.

Amarelo: Desgaste de 1 mm - A ponta apresenta algum desgaste
Recomenda-se a substituição da ponta.

Vermelho: Desgaste de 2 mm - A ponta está muito gasta
A ponta tem de ser substituída.

⚠ CUIDADO

- As pontas são consumíveis. A eficiência da destaratarização dentária diminui aproximadamente 25% quando a parte superior da ponta tem um desgaste de 1 mm e aproximadamente 50% quando atinge 2 mm. Além disso, a condição de vibração muda consoante o desgaste, o que pode danificar a superfície do dente do paciente. Verifique periodicamente a condição de desgaste da ponta utilizando o cartão da ponta e substitua a ponta por uma nova no momento certo.

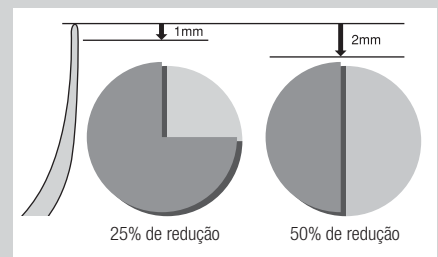


Fig. 18

7-3 Definição do nível de potência

- 1) Toque na tecla de seleção do modo Ultrasonic para selecionar o modo. O modo selecionado é apresentado no painel LCD como P/E/G (Fig. 19).
- 2) Toque na tecla do nível de potência (▲/▼) para definir o nível de potência. A apresentação do nível de potência e o indicador do nível de potência aumenta ou reduz de acordo com o nível selecionado (Fig. 20).

⚠ CUIDADO

- Certifique-se de que a definição de potência não excede o nível de potência recomendado. (Consulte o "Guia de Potência da Ponta" ou "Guia das pontas" para a potência máxima de cada ponta.)

IMPORTANTE

- Toque continuamente na tecla do nível de potência para aumentar ou diminuir continuamente o nível de potência. Ouve-se um alarme quando é atingido o nível máximo ou mínimo.
- Para irrigar sem vibração da ponta, defina o nível de potência para "0 (zero)" e o volume de irrigação para 1 bar ou mais.

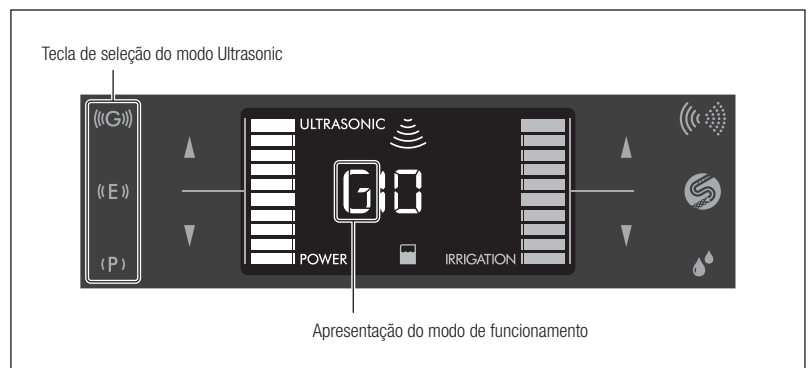


Fig. 19

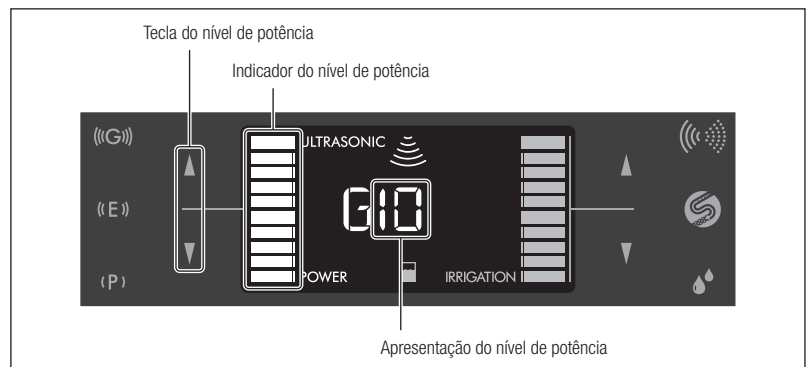


Fig. 20

7-4 Definição da irrigação

Toque na tecla de seleção do modo Irrigação para selecionar o modo Irrigação (garrafa ou água da torneira). O modo selecionado é apresentado no painel LCD como um ícone (Fig. 21).

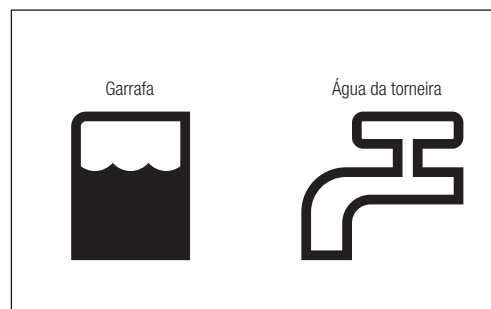


Fig. 21

7-5 Funcionamento

- 1) Pressione o botão pretendido no pedal de controle. Ouve-se um sinal sonoro, a ponta começa a vibrar e o LED na peça de mão acende-se.
- 2) Ajuste o volume de irrigação tocando nas teclas do volume de irrigação (▲/▼) enquanto verifica a irrigação da ponta.

⚠ CUIDADO

- Por razões de segurança, este produto não funciona quando o interruptor de alimentação é ativado enquanto o pedal de controle é pressionado. Neste caso, ouve-se um alarme e a apresentação do modo Ultrasonic (P/E/G) e "ULTRASONIC" pisca alternadamente. Liberte o pedal de controle e pressione-o novamente.
- Utilize sempre irrigação. Se não houver irrigação suficiente, a peça de mão vai sobreaquecer e pode causar ferimentos na superfície do dente do paciente.
- Certifique-se de que é pulverizada água limpa corretamente antes da utilização.
- A água pode não ser pulverizada suavemente se o volume de irrigação estiver definido para um nível baixo. Neste caso, aumente temporariamente o volume de irrigação e pressione o pedal de controle. Certifique-se de que a água é pulverizada suavemente a partir da ponta e ajuste novamente o volume de irrigação.
- Não rode forçosamente o suporte da peça de mão uma vez que isso pode danificar o suporte.

⚠ IMPORTANTE

- O LED da peça de mão permanece aceso durante cerca de 5 segundos após libertar o pedal de controle (Função de brilho residual).
- As definições do modo Ultrasonic (P/E/G), nível de potência, modo Irrigação e do volume de irrigação são armazenadas após a alimentação ser desligada e as mesmas definições são aplicadas quando a alimentação é novamente ligada (Função de última memória).
- Se o volume de irrigação for demasiado baixo com o volume de irrigação definido para 10 ou se o volume de irrigação for demasiado alto com o volume de irrigação definido para 1 enquanto o modo Irrigação está definido para água da torneira, ajuste o nível de irrigação básico. Consulte "11-3 Definição do nível de água básico" para mais informações.
- Pode ser emitido um sinal sonoro, mas isto não representa uma avaria.

■ Durante o funcionamento da peça de mão:

Pode: Ajustar o nível de potência e o volume de irrigação

Não pode: Alterar as definições do modo Ultrasonic ou modo Irrigação e efetuar a limpeza automática

7-6 Após tratamento

Efetue a manutenção após utilização em cada paciente. Consulte "9 Manutenção" para mais informações.

⚠ CUIDADO

- Este produto pode funcionar incorretamente se a manutenção correta não for efetuada.

7-7 Circuito de proteção

Este produto pode sobreaquecer internamente se a unidade de controle for utilizada à potência 8 ou superior no modo G durante um período de tempo prolongado. Neste caso, o circuito de proteção reduz automaticamente a potência (Potência 7).

O indicador do gráfico de barras pisca entre 8 e 10 (Fig. 22). O indicador para de piscar quando o circuito de libertação é libertado. No entanto, neste caso, o nível de potência não aumenta automaticamente. Aumente o nível de potência manualmente, se necessário.

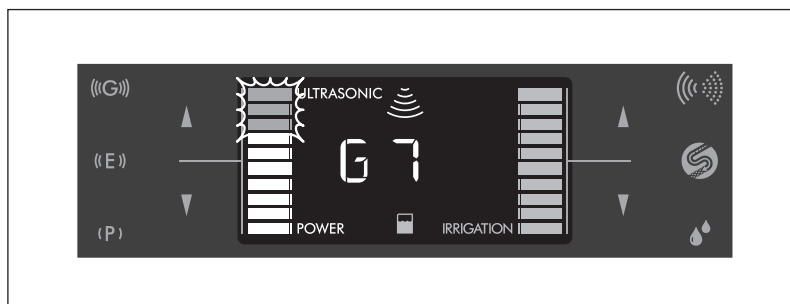


Fig. 22

⚠ IMPORTANTE

- O nível de potência não pode ser aumentado para 8 ou mais quando o circuito de proteção tiver sido utilizado (enquanto o indicador do gráfico de barras está a piscar).
- O indicador do gráfico de barras para de piscar quando o nível de potência é reduzido abaixo de 7. Volta a piscar se o nível de potência for aumentado para 7 enquanto a função do circuito de proteção estiver ativa.

8 Utilizar o modo Powder

O kit Perio opcional tem de ser comprado de modo a utilizar o modo Perio. Consulte "20 Lista de peças opcionais" para mais informações sobre o kit Perio.

8-1 Instalação do sistema de água

- 1) Certifique-se de que o tubo de água está bem ligado ao conector do tubo de água da unidade de controle. Consulte "5-7 Ligar o tubo de água" para mais informações.
- 2) Abra a válvula de água da unidade dentária e defina a pressão de água entre 0,1 - 0,3 MPa (1,0 - 3,0 kgf/cm²). Se a pressão de água exceder 0,3 MPa, utilize uma válvula de redução da pressão de água (opção) para ajustar a pressão de água para o intervalo especificado. Consulte a "20 Lista de peças opcionais" para mais informações sobre a válvula de redução da pressão de água.



- Utilize apenas água potável para irrigação.

CUIDADO

8-2 Preparação do pó

- 1) Selecione a câmara e o pó a utilizar com este modo. Encha a câmara com pó até à linha "MAX" (aproximadamente 80 g de FLASH pearl ou aproximadamente 50 g de pó Perio-Mate) (Fig. 23).

Modo	Câmara	Pó
Modo Prophy	Para utilização Prophy	FLASH pearl
Modo Perio	Para utilização Perio	Pó Perio-Mate

- 2) Feche a tampa da câmara firmemente até que ela se encaixa completamente na câmara, e inserir a câmara direto para a unidade de controle (Fig. 24). O tipo de câmara introduzido é apresentado no painel LCD como um dos ícones seguintes (Fig. 25).

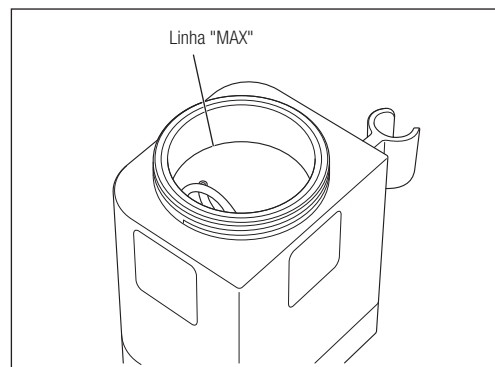


Fig. 23

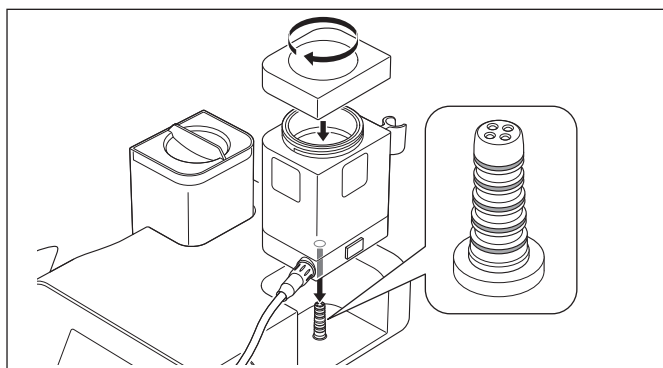


Fig. 24

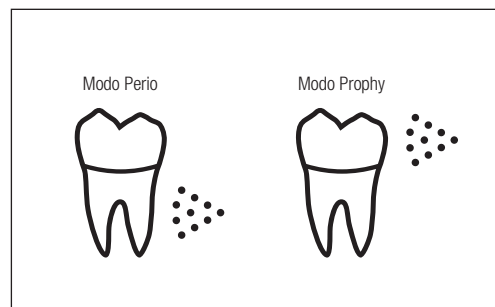


Fig. 25



ATENÇÃO

- Utilize apenas o pó designado. Utilizar outros pós pode resultar na falha do produto, danos no dente ou causar enfisemas. Além disso, pode também causar uma redução no desempenho do produto. Não somos responsáveis por falhas causadas pela utilização de outros pós.



CUIDADO

- Aperte firmemente a tampa da câmara para evitar que a tampa da câmara se solte e provoque lesões (Fig. 26).
- Antes de introduzir a câmara na unidade de controle, certifique-se de que os anéis vedantes do conector na base da câmara não estão danificados ou gastos (Fig. 24). Os danos/desgaste podem resultar em mau funcionamento ou falhas.
- Introduza a câmara a direito na unidade de controle. Introduzir a câmara inclinada pode danificar os anéis vedantes, resultando em falhas.
- Se for colocado demasiado pó de limpeza na câmara, a quantidade certa de pó pode não ser pulverizada imediatamente após o início da utilização.
- Não utilize pó que foi armazenado numa embalagem aberta ou pó restante. Utilizar esse pó pode causar uma obstrução no bico. Não misture pó restante com pó novo.
- Antes de introduzir a câmara, inspecione o conector na base da câmara e verifique se tem água, etc. limpe-o se estiver húmido. Caso contrário, pode causar obstrução do pó.
- Não utilize pó descolorado.
- Feche bem a tampa da câmara de pó. Caso contrário, vai atrair humidade que pode causar obstruções.
- Se o pó colar à câmara e/ou tampa da câmara, limpe-o imediatamente ou a tampa fica difícil de fechar.
- Não inverta a câmara com pó no seu interior. Caso contrário, vai resultar em obstrução do pó.



Fig. 26

⚠️ CUIDADO

- Por motivos de segurança, este produto não funciona se o pedal de controle for pressionado quando a câmara é instalada incorretamente. Ouve-se um alarme e o ícone de dente e "POWDER" piscam alternadamente. Instale corretamente a câmara.
- O pó Perio-Mate (opção) espalha-se facilmente porque é composto por partículas muito finas. Encha lentamente a câmara para evitar que o pó se espalhe e tenha cuidado para não engolir o pó ou permitir que entre em contacto com os olhos.
- FLASH pearl é praticamente insolúvel em água. Para evitar a obstrução dos tubos utilizando FLASH pearl, uma limpeza periódica e a manutenção da mangueira de vácuo, ejetor de saliva e separador são necessárias.



8-3 Instalar/remover a ponta do bico

8-3-1 Instalar a ponta do bico

Instale bem a ponta do bico (opção) no bico da peça de mão de pó (para utilização Perio) (Fig. 27).

⚠️ ATENÇÃO

- Não utilize uma ponta de bico deformada ou danificada. Pode soltar-se durante a utilização.

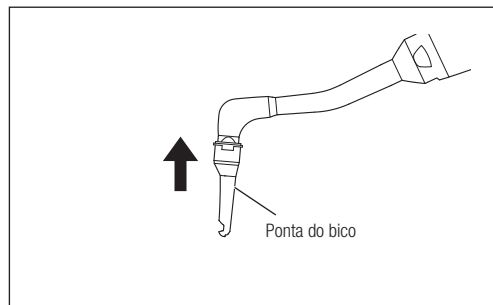


Fig. 27

⚠️ CUIDADO

- Certifique-se de que instala bem a ponta do bico, conforme ilustrado (Fig. 28). Se a ponta for instalada incorretamente, vai soltar-se e pode ser acidentalmente ingerida pelo paciente.
- Ao instalar uma ponta de bico na peça de mão de pó, use sempre luvas cirúrgicas estéreis e certifique-se de que a peça de mão de pó está esterilizado.

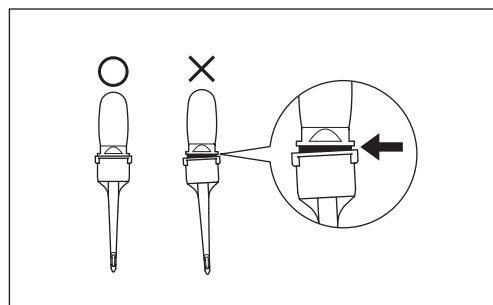


Fig. 28

8-3-2 Remover a ponta do bico

Utilize o extrator da ponta Perio-Mate (opção) para remover a ponta do bico (Fig. 29) e elimine a ponta do bico quando removida.

⚠️ ATENÇÃO

- A ponta do bico só pode ser utilizada uma vez. Não reutilize ou esterilize a ponta do bico uma vez que pode estar danificada ou contaminada. Se a ponta do bico for reutilizada, pode não funcionar corretamente devido a deformação durante a remoção ou pode soltar-se durante a utilização resultando na ingestão acidental por parte do paciente. O mesmo aplica-se a uma ponta que tenha sido removida acidentalmente.

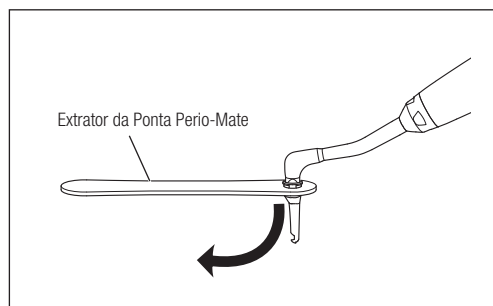


Fig. 29

8-4 Definição do nível de potência

Toque nas teclas do nível de potência (▲/▼) para definir o nível de potência. A apresentação do nível de potência aumenta ou reduz de acordo com o nível de potência selecionado (Fig. 30).

IMPORTANTE • Se especificar esta definição sem instalar a câmara, é definido o nível de potência utilizado no modo Prophy.

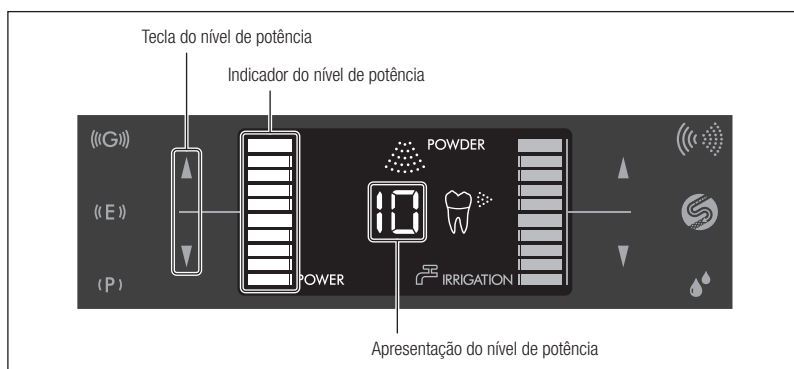


Fig. 30

8-5 Definição da irrigação

- 1) Toque nas teclas do volume de irrigação (▲/▼) para ajustar o volume de irrigação.
- 2) Pressione o pedal de controle para pulverizar pó numa cuspideira, etc, para confirmar que o pó, ar e água são pulverizados corretamente.
- 3) Ajuste o volume de irrigação enquanto verifica a irrigação do bico.

IMPORTANTE • Se o volume de irrigação for demasiado baixo com o volume de irrigação definido para 10 ou se o volume de irrigação for demasiado alto com o volume de irrigação definido para 1, ajuste o nível de irrigação básico. Consulte "11-3 Definição do nível de água básico" para mais informações.

• Se efetuar o ajuste sem instalar a câmara, é definido o volume de irrigação utilizado no modo Prophy.

8-6 Funcionamento

O pó, a água e o ar são fornecidos quando o botão D do pedal de controle é pressionado. A água e o ar são fornecidos quando o botão B do pedal de controle é pressionado. Cumpra as instruções de funcionamento explicadas em "8-6-1 Utilizar o modo Prophy" e "8-6-2 Utilizar o modo Perio".

ATENÇÃO

- Nunca pulverize pó na direção de um corpo incluindo o do operador e do assistente, apenas para a superfície do dente.
- Pare imediatamente a utilização se a mangueira inchar ou se o ar ou pó sair pelas ligações entre a câmara e a mangueira durante a utilização.
- Pulverize água enquanto utiliza este produto.
- Certifique-se de que utiliza um tubo de vácuo (e um tubo de descarga de saliva, se necessário) para evitar que o paciente ingira uma grande quantidade de pó. Evite a utilização contínua durante longos períodos e permita que o paciente lave a boca sempre que necessário.

CUIDADO

- Por razões de segurança, este produto não se liga quando coloca o interruptor de alimentação para ON enquanto o pedal de controle é pressionado. Ouve-se um alarme e o ícone de dente e "POWDER" piscam alternadamente. Liberte o pedal de controle, de seguida, pressione-o novamente.
- Antes do tratamento, ajuste o nível de potência e o nível de irrigação antes de utilizar no paciente.
- Reduza o nível de potência ao efetuar tratamentos em redor da gengiva marginal.
- Não pulverize verticalmente para a superfície do dente.
- Mantenha a distância entre a ponta do bico da peça de mão e a superfície do dente, conforme explicado em "8-6-1 Utilizar o modo Prophy" e "8-6-2 Utilizar o modo Perio".
- Não rode forçosamente o suporte da peça de mão uma vez que pode danificar o suporte.

IMPORTANTE • Pode ser emitido um sinal sonoro, mas isto não representa uma avaria.



8-6-1 Utilizar o modo Prophy

Mantenha o bico a uma distância de 3 - 5 mm da superfície do dente e a um ângulo de 10 - 60 graus (Fig. 31).

ATENÇÃO

- Nunca aponte para tecido mole, gengivas ou para a área subgengival.

CUIDADO

- Pulverize da raiz para a borda incisal do dente.

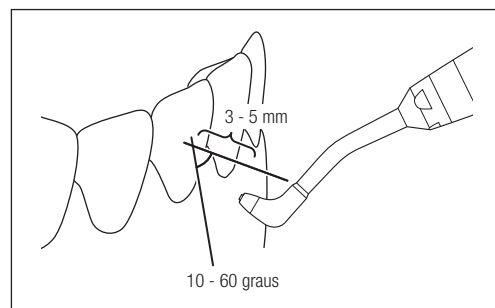


Fig. 31



8-6-2 Utilizar o modo Perio

- Utilizar com a ponta do bico

Introduza a ponta do bico mais de 3 mm na bolsa periodontal (Fig. 32).

O pó não pode ser pulverizado eficientemente para a bolsa periodontal se a profundidade for inferior a 3 mm.

- Utilizar sem a ponta do bico

Retire a ponta do bico da peça de mão para remover placa bacteriana na área subgengival e margem gengival ou para remover biofilme e manchas claras. Mantenha o bico a uma distância de 5 - 10 mm da superfície do dente e a um ângulo de 30 - 60 graus (Fig. 33). Nunca aponte o bico diretamente para a membrana mucosa oral ou para as bolsas periodontais.

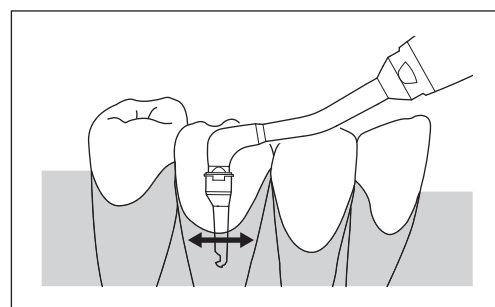


Fig. 32

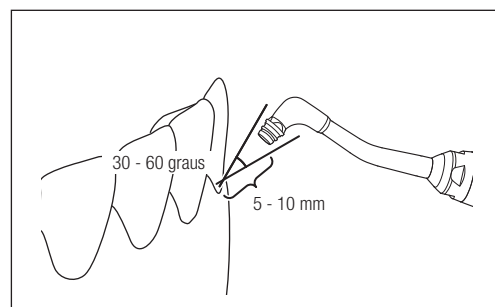


Fig. 33


ATENÇÃO

- Ao utilizar sem a ponta do bico, nunca aponte para a membrana mucosa oral.
- Não utilize este produto numa área imediatamente após destartarizar a superfície do dente numa bolsa periodontal. Caso contrário, pode causar bacteremia.
- Não introduza a ponta do bico mais do que uma vez na mesma bolsa periodontal durante o mesmo tratamento.
- O pó pode ser pulverizado durante, no máximo, 5 segundos na mesma bolsa periodontal (no máximo, 20 segundos para um dente). Nunca pulverize pó durante mais tempo do que aquele especificado.
- Não force a ponta do bico numa bolsa periodontal.
- Não pulverize pó enquanto a extremidade da ponta do bico está situada na parte inferior de uma bolsa periodontal. Caso contrário, pode causar enfisemas.
- Não utilize a ponta do bico noutra local que não as bolsas periodontais.
- Definir um nível de potência demasiado alto pode causar enfisemas. Ajuste o nível de potência para um nível adequado enquanto verifica o estado do paciente.


CUIDADO

- O alarme ouve-se a cada 5 segundos ao utilizar o modo Perio.
- No modo Perio, o nível de potência é automaticamente reduzido para um nível inferior em comparação com a mesma definição para o modo Prophy.

8-6-3 Durante o funcionamento da peça de mão

Pode: Ajustar o nível de potência e o volume de água

Não pode: Alterar as definições do modo Irrigação e efetuar a limpeza automática

8-6-4 Libertar a pressão residual

A tampa da câmara não pode ser aberta após a utilização devido à acumulação de pressão de ar no interior da câmara, que aumenta durante a utilização. Liberte a pressão restante na câmara antes de colocar pó na câmara ou removendo a câmara da unidade de controle.


CUIDADO

- O pó e água restantes saem da peça de mão ao libertar a pressão residual. Prepare um recipiente como uma taça para recolher o pó e a água.

- 1) Retire a peça de mão de pó do suporte da peça de mão.
- 2) Coloque o contra ângulo no recipiente para recolher pó e água.
- 3) Toque continuamente na tecla de limpeza automática durante cerca de 1 segundo. Ouvem-se os sinais sonoros e a pressão residual começa a ser libertada.
- 4) O funcionamento para quando toda a pressão residual é libertada da câmara.

8-7 Após tratamento

Efetue a manutenção após utilização em cada paciente. Consulte "9 Manutenção" para mais informações.

Se a ponta do bico (opção) for instalada no bico, retire-a e elimine-a antes da manutenção.


CUIDADO

- Se não efetuar a manutenção, pode resultar em avarias.

IMPORTANTE • As definições do nível de potência e do modo Irrigação são armazenadas após a alimentação ser desligada (Função de última memória).

9 Manutenção

Efetue a manutenção seguinte após utilização em cada paciente.



- Se não efetuar a manutenção, pode resultar em avarias.

CUIDADO



9-1 Peça de mão ultrassônica

9-1-1 Limpeza automática



- A água sai da peça de mão durante a limpeza automática. Efetue a limpeza após colocar a peça de mão numa taça.

CUIDADO

- 1) Retire a peça de mão ultrassônica do suporte da peça de mão e retire a ponta da peça de mão.
- 2) Retire a garrafa de irrigação e lave o interior com água corrente. Quando é selecionada água da torneira para o modo Irrigação, abra a válvula de água da fonte de irrigação.
- 3) Encha mais de metade da garrafa de irrigação com água destilada ou água purificada. (Não utilize salino).
- 4) Feche bem a tampa.
- 5) Introduza a garrafa a direito no conector na base da garrafa de irrigação. A água pode sair se a garrafa não estiver bem introduzida.
- 6) Coloque a ponta da peça de mão no recipiente para recolher água.
- 7) Toque continuamente na tecla de limpeza automática durante cerca de 3 segundos para iniciar a limpeza automática. A limpeza automática demora cerca de 45 segundos. "AC" é apresentado no painel LCD durante a limpeza automática e o tempo restante aproximado é apresentado no indicador do gráfico de barras (Fig. 34).
- 8) Quando a limpeza automática é concluída, a unidade de controle regressa às definições antes da limpeza.
- 9) Retire a garrafa de irrigação. Lave a garrafa de irrigação e a tampa com água corrente e deixe secar.

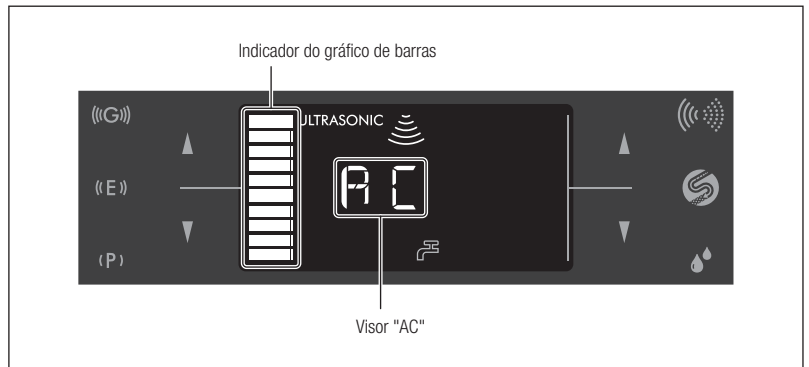


Fig. 34

Para parar a limpeza automática, toque novamente na tecla de limpeza automática.



CUIDADO

- Após cada utilização, efetue a limpeza automática (limpeza do tubo de irrigação). Se o sistema não for limpo, o interior do tubo de irrigação pode ficar obstruído ou algumas partes podem enferrujar.
- Utilize água destilada ou purificada para encher a garrafa de irrigação. Utilizar água impura pode causar a obstrução do tubo de irrigação.
- Certifique-se de que a peça de mão e o cabo da peça de mão estão bem instalados.

IMPORTANTE • Durante a limpeza automática, o LED da peça de mão não acende.

9-1-2 Limpar a peça de mão

- 1) Retire quaisquer resíduos do produto. NÃO utilize uma escova de arame.
- 2) Limpe com um pano humedecido em etanol ou etanol com álcool isopropílico.



Este símbolo indica que o produto pode ser limpo utilizando um desinfetador térmico.

Funcionamento apenas confirmado com o modelo GETINGE WD46-4.
Consulte o manual do desinfetador térmico.



CUIDADO

- Tenha cuidado para não bater com a ponta da peça de mão contra qualquer coisa enquanto o lava uma vez que pode danificar a barra de vidro.
- Após limpar com o desinfetador térmico, seque bem a peça de mão e retire a água do interior.
- Nunca use solventes como benzina e diluente para limpar.
- Ao limpar, utilize etanol ou etanol com álcool isopropílico para limpar a superfície da peça de mão. A utilização de químicos que não esses pode causar a descoloração, fissuração, etc. da peça de mão.

9-1-3 Limpeza (Ótica)

Limpe a ponta da barra de vidro com um cotonete embebido em álcool desinfetante. Retire todos os resíduos (Fig. 35).



CUIDADO

- NÃO utilize uma ferramenta afiada para limpar a barra de vidro. Caso contrário, pode danificar o vidro e reduzir a transmissão de luz.

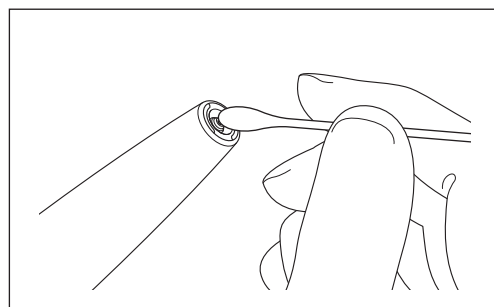


Fig. 35

9-1-4 Limpeza do cabo da peça de mão

Remova a peça de mão após utilização em cada paciente e limpe-a, conforme descrito abaixo.

- 1) Limpe a superfície do cabo da peça de mão com um pano humedecido em álcool.
- 2) Limpe cuidadosamente a ficha do cabo da peça de mão com um cotonete humedecido em álcool.

É difícil utilizar um cotonete, limpe cuidadosamente com uma toalhita envolvida num objeto fino em forma de pau.



CUIDADO

- Não utilize um objecto pontiagudo nem pressione a parte terminal ao limpar a ficha do cabo da peça de mão. Caso contrário, pode causar danos, resultando em falha de contacto (Fig. 36).

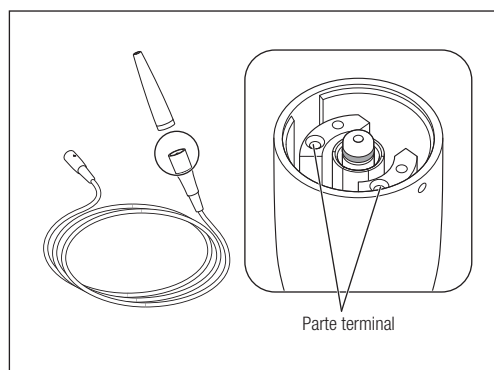


Fig. 36



9-2 Peça de mão de pó

9-2-1 Limpeza automática



CUIDADO

- A água sai da peça de mão durante a limpeza automática. Efetue a limpeza após colocar a peça de mão numa taça.

- 1) Retire a peça de mão de pó do suporte da peça de mão. Para a peça de mão de pó (para utilização Perio), retire a ponta do bico da peça de mão.
- 2) Coloque a ponta da peça de mão no recipiente para recolher água.
- 3) Toque continuamente na tecla de limpeza automática durante cerca de 3 segundos para iniciar a limpeza automática.
- 4) A água e o ar são pulverizados primeiro para lavar o pó restante.
- 5) Algum tempo depois, apenas é pulverizado ar para libertar a água restante.
- 6) A limpeza automática demora cerca de 45 segundos. "AC" é apresentado no painel LCD durante a limpeza automática e o tempo restante aproximado é apresentado pelo indicador do gráfico de barras (Fig. 37).
- 7) Quando a limpeza automática é concluída, a unidade de controle regressa às definições antes da limpeza.

Para parar a limpeza automática, toque novamente na tecla de limpeza automática.

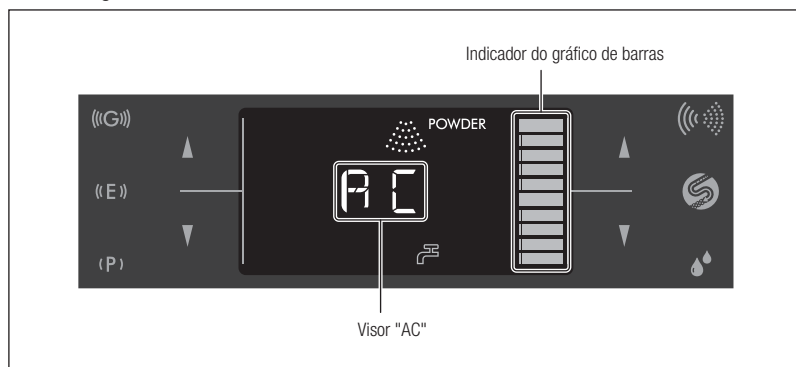


Fig. 37

9-2-2 Limpeza (Peça de mão)

- 1) Retire a peça de mão da mangueira.
- 2) Retire os resíduos do produto. NÃO utilize uma escova de arame.
- 3) Utilize a escova de limpeza fornecida para remover pó da secção interior onde a peça de mão foi ligado (Fig. 38).
- 4) Limpe com um pano embebido em álcool desinfetante.



Este símbolo indica que o produto pode ser limpo utilizando um desinfetador térmico.

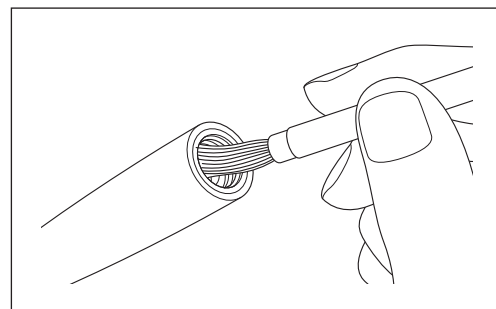


Fig. 38

Funcionamento apenas confirmado com o modelo GETINGE WD46-4.
Consulte o manual do desinfetador térmico.



ATENÇÃO

- Certifique-se de que limpa o interior da peça de mão após cada utilização. O pó restante na peça de mão pode solidificar, causando obstrução.



CUIDADO

- Após lavar com um desinfetador térmico, seque o produto até eliminar bem toda a humidade interna.
- Nunca use solventes como benzina ou diluente para limpar o produto.

9-2-3 Limpeza ultrassónica



CUIDADO

- Certifique-se de que efetua a limpeza ultrassónica, no mínimo, uma vez por semana para evitar obstrução por pó. Efetue a limpeza ultrassónica antes da limpeza automática ou após experimentar as soluções descritas em "14 Resolução de problemas".

- 1) Passe a chave de luneta fornecida a partir da extremidade do bico, desaperte o bico e retire o bico da peça de mão (Fig. 39).
- 2) Efetue a limpeza ultrassónica com água quente (30 - 50°C) na peça de mão e bico.
- 3) Após limpar, utilize ar para secar todas as partes.
- 4) Volte a montar a peça de mão seguindo os procedimentos no passo 1 de forma inversa.
- 5) Ligue a peça de mão e a mangueira e efetue a limpeza automática.

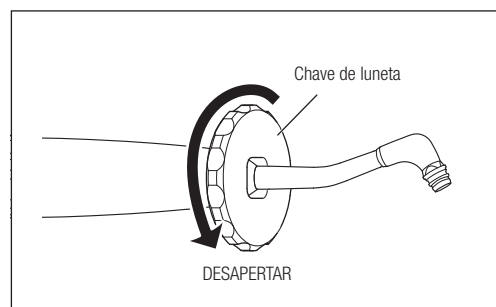


Fig. 39



CUIDADO

- Ao instalar o bico, aparafuse ligeiramente o bico na peça de mão à mão primeiro e, de seguida, aperte bem com a chave de luneta fornecida.
- Após a limpeza ultrassónica, efetue a limpeza automática para remover qualquer água restante do interior e deixe as peças secarem antes da utilização.
- Para evitar que o bico fique deformado, utilize sempre a chave de luneta fornecida ao instalar ou remover o bico. O bico pode ficar deformado se o introduzir segurando a extremidade do bico.
- A peça de mão ultrassónica não pode ser limpo através da limpeza ultrassónica.

9-3 Esterilização

Este produto tem que ser esterilizado em autoclave. A esterilização em autoclave é exigida após utilização em cada paciente, conforme descrito abaixo.

Itens possíveis de esterilizar em autoclave: Ponta ultrassônica, peça de mão ultrassônica, peça de mão de pó (para utilização Prophy), peça de mão de pó (para utilização Perio, opção), chave da ponta (CR-10), caixa de esterilização, extrator da ponta Perio-Mate (opção)

- 1) Introduza os itens num estojo de autoclave. Feche o estojo.
- 2) Esterilize em autoclave nas seguintes condições.
Esterilize em autoclave durante mais de 20 min. a 121°C ou 15 min. a 132°C ou 3 min. a 134°C.
- 3) Mantenha os itens no estojo de autoclave para manter a esterilidade até serem utilizados.

■ Caixa de esterilização

A peça de mão ultrassônica, a ponta ultrassônica e a chave da ponta (CR-10) podem ser esterilizados em conjunto com uma caixa de esterilização. Podem ser colocadas quatro chaves para pontas e pontas em simultâneo (Fig. 40).

- 1) Retire a ponta após a utilização. (Consulte "7-2 Instalar a ponta".) A ponta está definida no interior da chave da ponta (CR-10).
- 2) Coloque a chave da ponta (CR-10) com a ponta instalada na caixa de esterilização.
- 3) Coloque a peça de mão ultrassônica na caixa de esterilização.

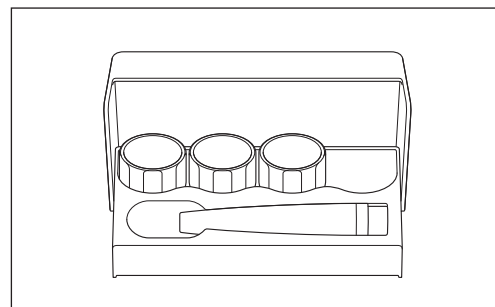


Fig. 40



CUIDADO

- A caixa de esterilização não pode ser utilizada para a peça de mão de pó.
- Não esterilize o produto em autoclave juntamente com outros instrumentos, mesmo se estiverem num estojo. Assim evitará uma eventual descoloração e os danos causados pelos resíduos químicos dos restantes instrumentos.
- O instrumento deve ser guardado em condições adequadas de pressão atmosférica, temperatura, humidade, ventilação e luz solar. O ar deve estar isento de pó, sal e enxofre.
- Se a temperatura da câmara de esterilização ultrapassar os 135°C durante o ciclo de secagem, então elimine este ciclo.
- A esterilização em autoclave é recomendada para o produto. A eficácia de outros métodos de esterilização não está confirmada.
- Não coloque o cabo da peça de mão e o anel vedante em autoclave. Desinfecte o cabo da peça de mão com um pano embebido em álcool desinfetante após cada paciente.
- Não esfregue, limpe nem mergulhe o produto em água muito ácida nem em soluções esterilizantes.

IMPORTANTE

- A NSK recomenda esterilizadores de Classe B em conformidade com a norma EN13060.
- O autoclave repetido pode causar a descoloração da peça de mão ultrassônica devido ao calor. No entanto, isto deve-se a propriedades do produto e não é um problema em termos de qualidade.

9-4 Limpar a câmara e a mangueira

- 1) Efetue a limpeza automática antes de limpar a câmara para libertar pó e água residuais do interior da peça mão e da mangueira do contra ângulo.
- 2) Liberte a pressão que resta dentro da câmara. (Consulte “8-6-4 Libertar a pressão residual”.)
- 3) Aperte o botão de bloqueio para remover a câmara. Em seguida, puxe a câmara para cima em linha reta (Fig. 41).
- 4) Abra a tampa da câmara e retire o pó residual.
- 5) Desaperte a porca do conector da mangueira da peça de mão e retire a mangueira da câmara.
- 6) Retire o pó residual da câmara utilizando ar, etc.
- 7) Limpe a mangueira para remover o pó, etc.
- 8) Utilize a escova de limpeza fornecida para remover pó dos conectores em ambas as extremidades da mangueira da peça de mão e a tomada do conector da mangueira do contra ângulo da câmara.

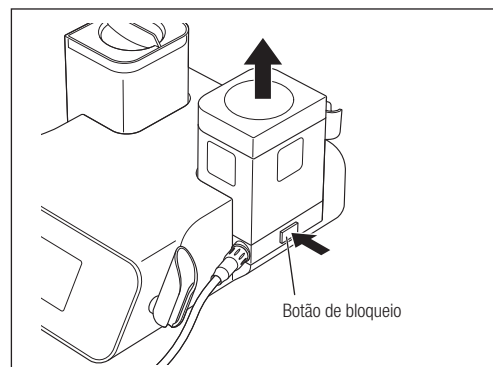


Fig. 41

ATENÇÃO

- Solução medicinal, solventes, etc. que colam à câmara ou à tampa da câmara podem causar danos.
- Certifique-se de que limpa a câmara após cada utilização. O pó restante na câmara pode solidificar e causar obstrução.
- Nunca utilize a tampa da câmara se estiver fissurada ou com riscos. Utilizar neste estado pode resultar em danos ou ferimentos causados por peças quebradas.

CUIDADO

- Se ocorrer uma falha na câmara, certifique-se de que contacta um distribuidor autorizado NSK para reparações.
- Após utilização, retire sempre minuciosamente o pó do interior da câmara e limpe a câmara antes do armazenamento.
- Não lave a câmara. Caso contrário, pode fazer com que o pó solidifique, resultando em obstrução.
- Realize a operação explicada em “8-6-4 Libertar a pressão residual” antes de remover a câmara. Se não o fizer, a tampa da câmara não pode ser aberta. A tampa da câmara pode saltar se tentar forçar a abertura.

■ Libertar o botão de bloqueio

Se a câmara não puder ser removida porque o botão de bloqueio não pode ser premido, efetue a operação seguinte para libertar o botão de bloqueio e retire a câmara e, de seguida, contacte um distribuidor autorizado NSK.

- 1) Introduza a ferramenta de desbloqueio no orifício na base da unidade de controlo e empurre ao máximo. (Fig. 42)
O botão de bloqueio é libertado.
- 2) Retire a ferramenta de desbloqueio.
- 3) Prima o botão de bloqueio para remover a câmara.
Se, mesmo assim, o botão de bloqueio não for libertado, contacte um distribuidor autorizado NSK.

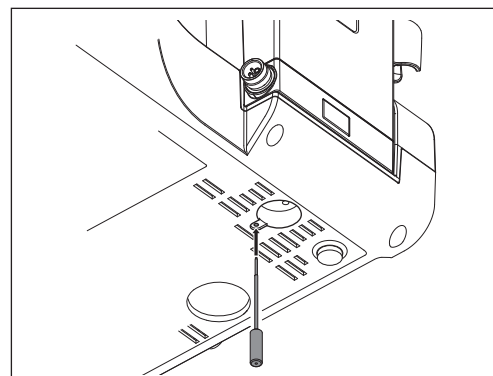


Fig. 42

CUIDADO

- Não vire a unidade de controlo ao contrário ao libertar o botão de bloqueio. Caso contrário, pode causar obstrução do pó.
- Não torça a ferramenta de desbloqueio ao introduzi-la.

9-5 Limpar a unidade de controle e o pedal de controle

- 1) Desligue a alimentação.
- 2) Desligue o cabo elétrico c.a. da tomada de parede.
- 3) Limpe a sujidade e o pó com um pano húmido e, de seguida, limpe a superfície com um pano embebido em álcool desinfetante.

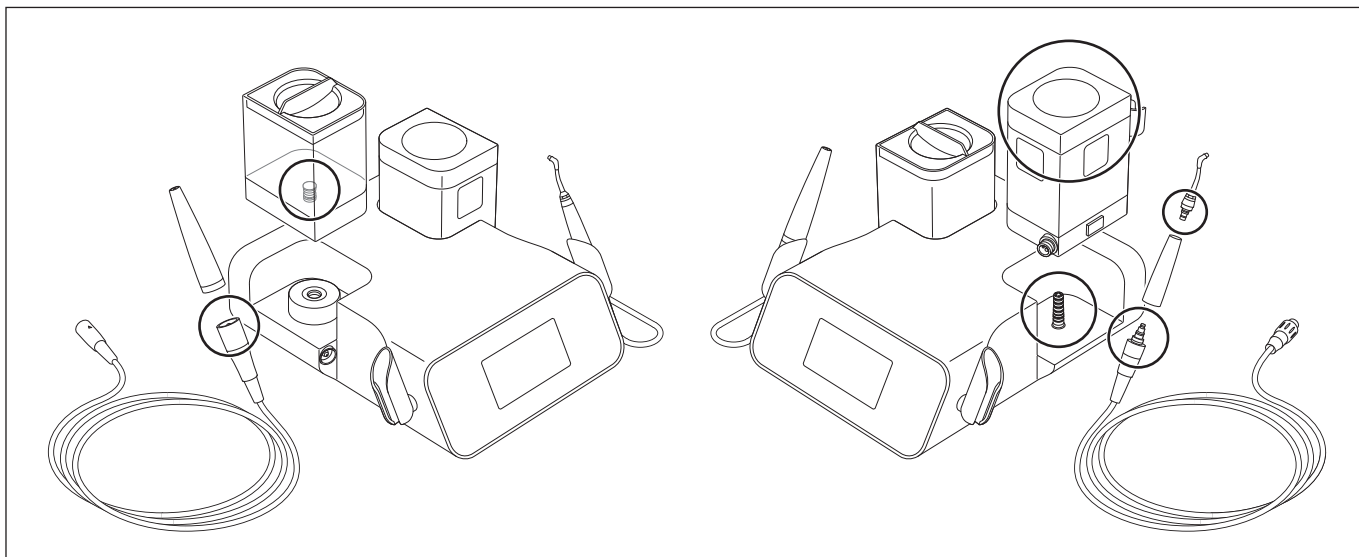
CUIDADO

- Nunca use solventes como benzina ou diluente para limpar.

10 Cuidados e manutenção

10-1 Substituir os anéis vedantes

Substitua os anéis vedantes quando detetar sintomas como fuga de água ou ar.



ULTRASONIC

10-1-1 Cabo da Peça de Mão

- 1) Retire o cabo da peça de mão da unidade de controle.
- 2) Retire o anel vedante a substituir utilizando uma agulha, etc (Fig. 43).
- 3) Coloque um anel vedante novo na ranhura onde o anel vedante antigo foi removido.

* Consulte "21 Lista de peças sobresselentes" para mais informações sobre anéis vedantes sobresselentes.

Código de encomenda: Y1003546

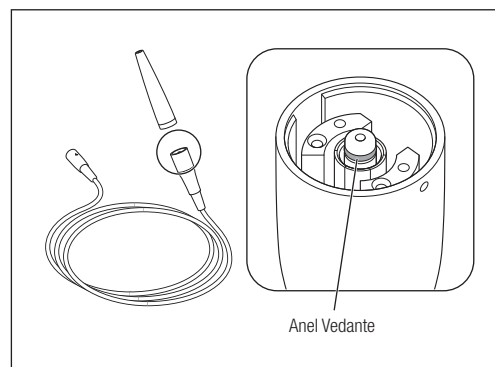


Fig. 43

POWDER PROPHY POWDER PERIO

10-1-2 Mangueira da peça de mão (para utilização Prophy e utilização Perio)

- 1) Retire a mangueira da peça de mão de pó e da câmara.
- 2) Retire os anéis vedantes da ficha da mangueira da peça de mão utilizando uma agulha, etc. Se houver pó nas ranhuras do anel vedante, limpe a ranhura antes de introduzir o novo anel vedante.
- 3) Coloque os anéis vedantes novos nas ranhuras onde os anéis vedantes antigos foram removidos.
- 4) Aplique uma gota do óleo de turbina fornecido e espalhe com o dedo (Fig. 44).

* Consulte "21 Lista de peças sobresselentes" para mais informações sobre anéis vedantes sobresselentes.

Código de encomenda: Y1003500

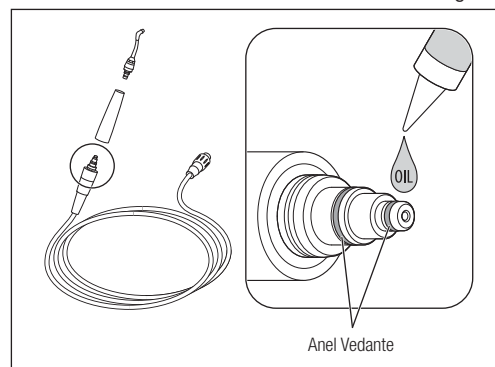


Fig. 44

⚠ CUIDADO

- A falta de lubrificação da secção do anel vedante no lado da peça de mão pode causar danos na secção da junta, resultando em dificuldades na rotação da ligação da peça de mão. Pode também causar fugas de água.

10-1-3 Conector (para uso Prophy e uso Perio)

- 1) Passe pelo Anel chave fornecido a partir do final do bico, afrouxe o bocal e remova o bocal da peça de mão.
- 2) Remova os anéis de vedação a partir da raiz do bocal, utilizando uma agulha, etc. (Fig. 45). Se houver pó nas ranhuras dos anéis, limpe as ranhuras antes de inserir os novos anéis.
- 3) Coloque os anéis vedantes novos nas ranhuras onde os anéis vedantes antigos foram removidos.

* Consulte "21 Lista de peças sobresselentes" para mais informações sobre anéis vedantes sobresselentes.

Código de encomenda: Y1003501

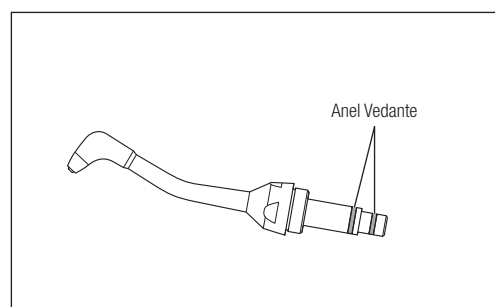


Fig. 45

10-1-4 Garrafa de irrigação

- 1) Retire os anéis vedantes da junta da garrafa de irrigação utilizando uma agulha, etc.
 - 2) Coloque os anéis vedantes novos nas ranhuras onde os anéis vedantes antigos foram removidos.
- * Consulte "21 Lista de peças sobresselentes" para mais informações sobre anéis vedantes sobresselentes.
Código de encomenda: Y1003544



- Os anéis vedantes têm espessuras diferentes. Certifique-se de que as coloca na ranhura correta (Fig. 46).

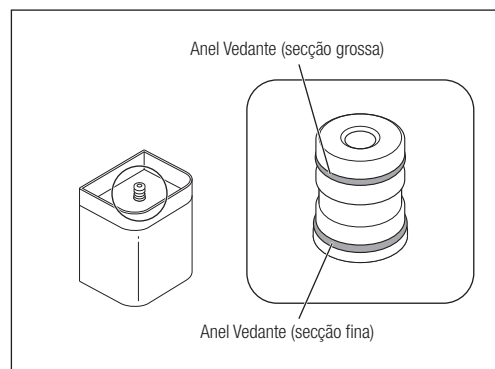


Fig. 46

10-1-5 Conector na base da câmara

- 1) Retire os anéis vedantes do conector na base da câmara utilizando uma agulha, etc. (Fig. 47).
 - 2) Coloque os anéis vedantes novos nas ranhuras onde os anéis vedantes antigos foram removidos.
- * Consulte "21 Lista de peças sobresselentes" para mais informações sobre anéis vedantes sobresselentes.
Código de encomenda: Y1003435



- Uma vez que o tamanho dos anéis vedantes é diferente, certifique-se de que os substitui na localização certa (Fig. 47).

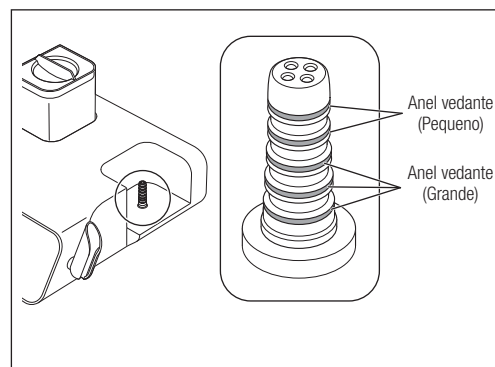


Fig. 47

10-1-6 Tampa da câmara

- 1) Retire a tampa da câmara.
 - 2) Retire o anel vedante do interior da tampa da câmara utilizando uma agulha, etc. (Fig. 48).
 - 3) Coloque um anel vedante novo na ranhura onde o anel vedante antigo foi removida.
- Código de encomenda: Y1003545

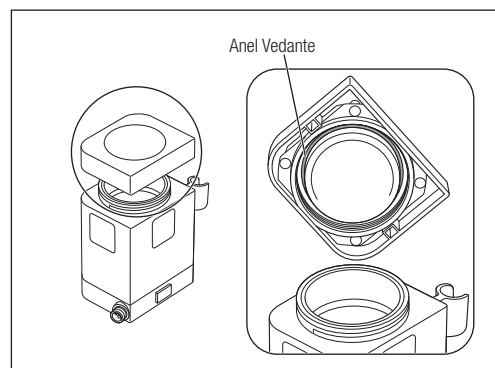


Fig. 48

10-2 Substituir a bomba de irrigação

- 1) Retire a garrafa de irrigação, a câmara, o cabo de alimentação, o cabo da peça de mão e o pedal de controle da unidade de controle.
- 2) Vire a unidade de controle. Utilize uma chave de estrela para remover o parafuso na tampa da bomba de irrigação e retire a tampa. (Fig. 49).
- 3) Retire os dois tubos de irrigação da unidade de controle (Fig. 50).
- 4) Retire o anel conector do tubo de irrigação. Não o elimine. Pode utilizar o anel na bomba de irrigação de substituição (Fig. 51).
- 5) Rode a bomba de irrigação no sentido contrário ao dos ponteiros do relógio até prender com um clique e, de seguida, retire-a (Fig. 52).
- 6) Instale os anéis conectores nos tubos de irrigação da nova bomba de irrigação (opção). Certifique-se de que o anel está bem orientado (Fig. 53).
- 7) Alinhe a bomba de irrigação nova (opção) com o eixo motor. Rode no sentido dos ponteiros do relógio até prender com um clique (Fig. 54).
- 8) Instale o tubo de irrigação seguindo o procedimento de remoção de forma inversa. Pressione bem o anel conector na unidade de controle até estar totalmente inserido (Fig. 50).
- 9) Alinhe o gancho da tampa da bomba de irrigação e o orifício na unidade de controle. Instale a tampa.

* Para mais informações sobre a bomba de irrigação opcional, consulte "21 Lista de peças sobresselentes".

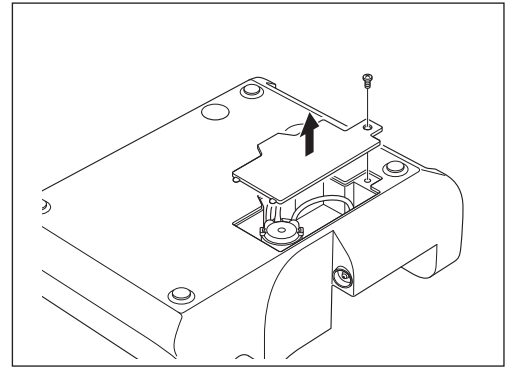


Fig. 49

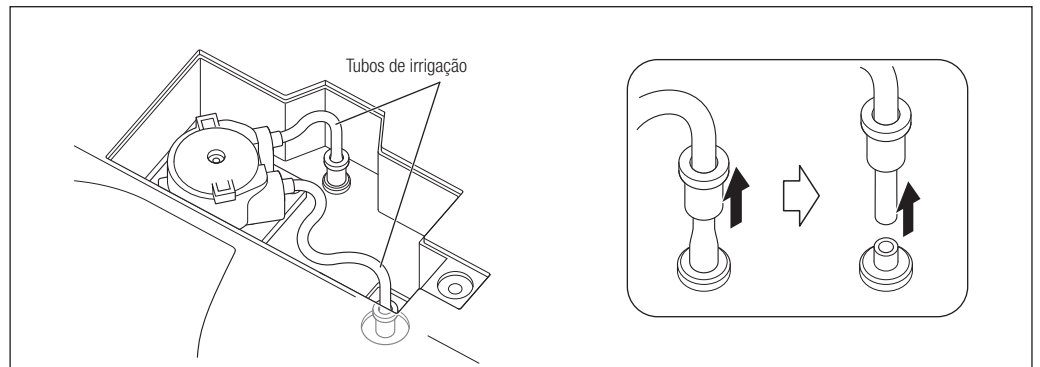


Fig. 50

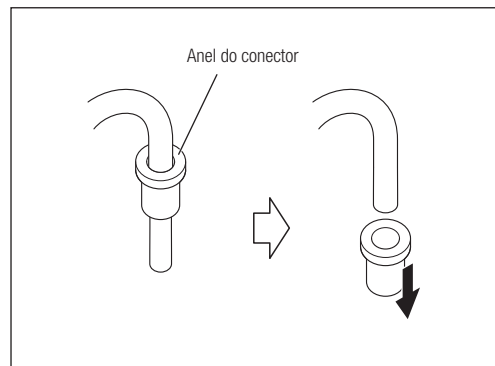


Fig. 51

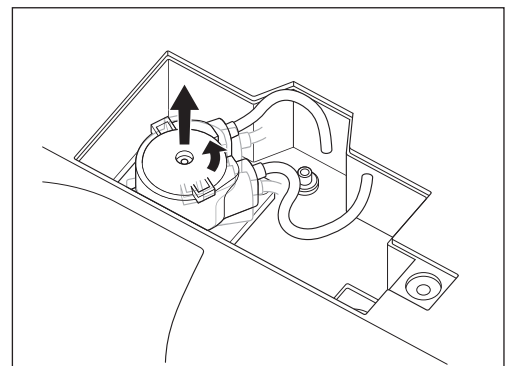


Fig. 52

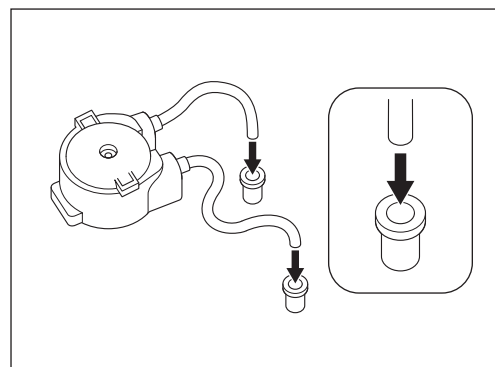


Fig. 53

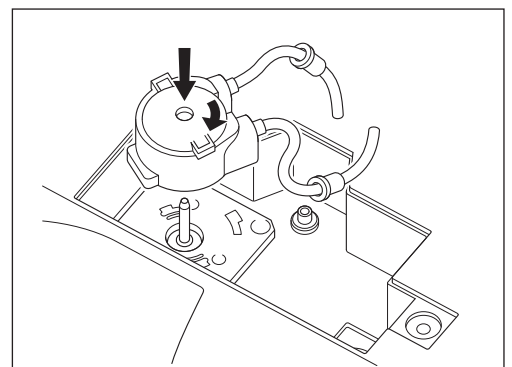


Fig. 54

⚠
CUIDADO

- Antes de substituir a bomba de irrigação, limpe a água em excesso da bomba e do eixo motor. Um eixo motor e rolos húmidos podem ficar escorregadios e causar um funcionamento inadequado.
- Limpe a sujidade e a água do eixo motor de baixo para cima (Fig. 55).
- Introduza a bomba de irrigação de substituição a direito no eixo motor de forma lenta e suave para evitar danos nos rolos da bomba.
- Após substituir a bomba de irrigação, utilize o produto durante cerca de 10 segundos com o modo Irrigação definido para garrafa e o volume de irrigação definido para o máximo para o tubo de irrigação se adaptar à nova bomba.
- Certifique-se de que não existem dobras no tubo de irrigação. Se o tubo for colocado incorretamente, a água de irrigação pode não ser fornecida.
- Certifique-se de que o tubo não fica preso sob a tampa da bomba de irrigação ao fechar a tampa da bomba de irrigação.
- Utilize apenas a bomba de irrigação para o Varios Combi Pro. As outras bombas não podem ser utilizadas.

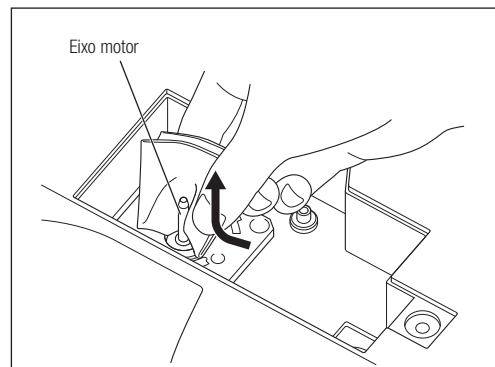


Fig. 55

- IMPORTANTE**
- Limpe periodicamente o eixo motor com um pano embebido em álcool desinfetante. Os resíduos no eixo motor podem causar o funcionamento incorreto da bomba.
 - A bomba é um item de desgaste. Se o volume de irrigação diminuir significativamente, substitua a bomba.

10-3 Substituir o filtro de água

Se utilizar água da torneira, substitua o filtro da água todos os anos.

Se achar que o volume de água baixou, substitua o filtro da água antes de ter passado um ano.

- 1) Feche a válvula de água da unidade dentária.
- 2) Coloque a unidade de controle num pano, etc, em caso de fugas de água.
- 3) Utilize duas chaves (5x8) e rode nos sentidos mostrados abaixo Fig. 56.
- 4) Retire a caixa do filtro de água e o filtro de água.
- 5) Coloque o novo filtro de água com o anel vedante no lado do Varios Combi Pro e volte a montar seguindo os passos de desmontagem de forma inversa (Fig. 57).

* Consulte "21 Lista de peças sobresselentes" para mais informações sobre o filtro de água opcional.

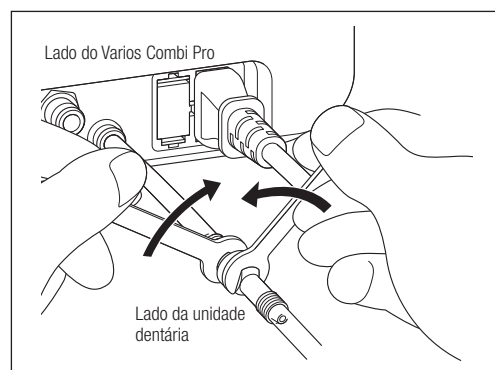


Fig. 56

⚠
CUIDADO

- Certifique-se de que o filtro de água está colocado na orientação correta. Caso contrário, o filtro não vai funcionar eficientemente.

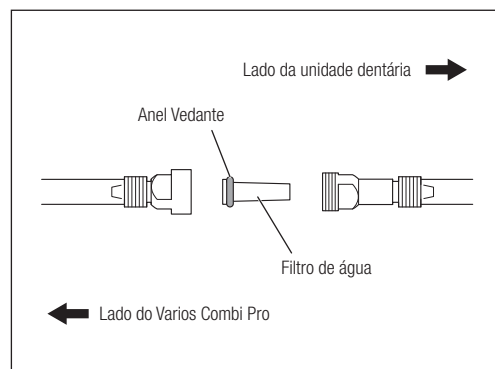


Fig. 57

10-4 Verificar o filtro de ar

Quando os sintomas como nível de potência reduzido ou obstrução frequente são detetados, liberte água pressionando a ponta do filtro de ar na parte inferior da unidade de controle (Fig. 58).

Se não for obtido um nível de potência suficiente como resultado de utilização prolongada, o elemento VCP pode estar obstruído. Se isto acontecer, entre em contato com seu Revendedor Autorizado NSK.

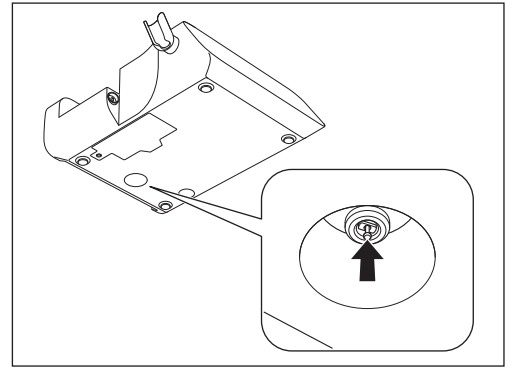


Fig. 58

10-5 Substituir o fusível

- 1) Coloque o interruptor de alimentação na posição OFF.
 - 2) Desligue o cabo elétrico c.a. da tomada de parede.
 - 3) Retire o suporte do fusível situado na parte traseira da unidade de controle e, ao mesmo tempo, mantenha os pregos em ambas as extremidades introduzidos (Fig. 59).
 - 4) Substitua o fusível por um novo.
 - 5) Pressione o suporte do fusível até encaixar na posição.
- * Consulte "21 Lista de peças sobresselentes" para mais informações sobre fusíveis sobresselentes.

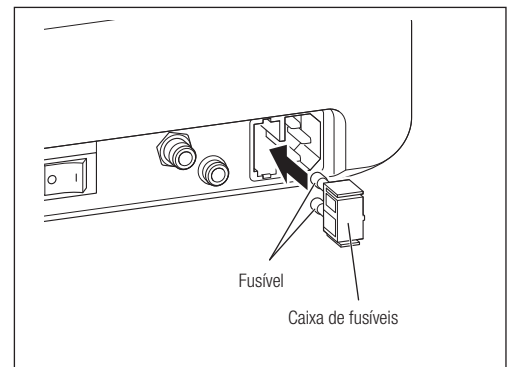


Fig. 59



- Utilize apenas fusíveis recomendados pela NSK. Podem ocorrer falhas se forem utilizados outros fusíveis.
- Se um fusível fundir mas não souber porquê, contacte um distribuidor autorizado NSK.

IMPORTANTE • Se a caixa de fusíveis não sair facilmente, utilize um acessório de ponta dura para pressionar os pregos enquanto retira a caixa de fusíveis.

11 Outras funções

11-1 Programa inicializado (Definição de fábrica)

Os valores de definição para cada um dos modos estão armazenados neste produto. Estes valores podem ser inicializados para as definições de fábrica.

- 1) Coloque o interruptor de alimentação para ON enquanto pressiona o botão B do pedal de controle.
- 2) "Clr" é apresentado no painel LCD. Enquanto "Clr" é apresentado, liberte o botão B do pedal de controle e, de seguida, pressione o botão D para a inicialização.
- 3) "Fin" é apresentado no painel LCD quando a inicialização é concluída. Ouve-se um alarme e o produto inicia no modo normal. (Consulte a tabela abaixo para as definições iniciais.)

	Modo Ultrasonic	Modo Powder	
		Modo Propy	Modo Perio
Seleção do modo Ultrasonic	Perio	-	
Nível de potência	1	1	1
Modo Irrigação	Garrafa	- (fixo à água da torneira)	
Volume de irrigação	10	10	10

ULTRASONIC

11-2 Utilizar o suporte da ponta (para ponta ultrassônica, opção)

- Utilize o suporte da ponta para armazenar as pontas após retirá-las da peça de mão.
- O suporte da ponta pode ser esterilizado em autoclave. Podem ser esterilizadas até 5 pontas ao mesmo tempo. Rode o suporte no sentido da seta para que as pontas sejam colocadas na estrutura para esterilização (Fig. 60).

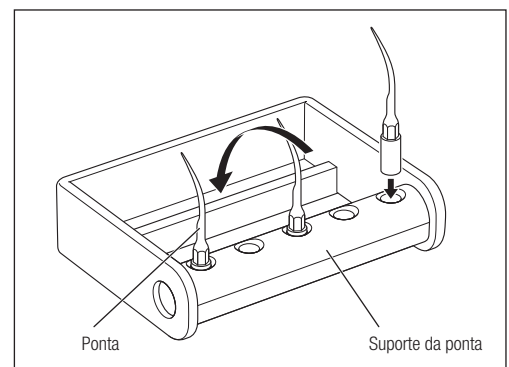


Fig. 60

11-3 Definição do nível de água básico

O nível de água básico pode ser ajustado consoante a pressão da alimentação de água no ambiente de utilização. Se o volume de irrigação for demasiado grande ou demasiado pequeno mesmo quando ajustado através das teclas do volume de irrigação, siga o procedimento abaixo para ajustar o nível de água básico.

- 1) Coloque o interruptor de alimentação da unidade de controle para ON.
- 2) Toque na tecla de seleção do modo de funcionamento para selecionar o modo Powder.
- 3) Toque continuamente na tecla de seleção do modo Irrigação durante 2 segundos. Ouve-se alarmes e o painel LCD muda para o modo de ajuste do nível de água básico.
- 4) Toque nas teclas do volume de irrigação (▲/▼) para alterar o nível de água básico ("L1" - "L5"). Ajuste o nível, conforme necessário.
- 5) Toque continuamente na tecla de seleção do modo Irrigação durante 2 segundos para guardar o nível selecionado na memória. Ouve-se um alarme e o nível selecionado é guardado e, de seguida, o painel LCD muda para o modo normal.



Fig. 61: Modo de ajuste do nível de água básico [Nível de água 4]

Referência

Nível	Volume de água
L5	Grande ↑ Pequeno
L4 (Valor inicial)	
L3	
L2	
L1	

IMPORTANTE • O nível de água básico regressa a "L4" quando este produto é inicializado para as definições de fábrica. Defina novamente o nível de água básico após inicialização.

12 Verificações periódicas de manutenção

Consulte a folha de verificação abaixo e efetue verificações periódicas de manutenção a cada três meses. Contacte um distribuidor autorizado NSK sempre que detetar anomalias.

Pontos a verificar	Descrição
Peça de mão ultrassónica	Utilize a peça de mão ultrassónica para se certificar de que não existe vibração anormal, ruído, calor, etc. Verifique também as luzes LED e os caudais de água.
Tampa da câmara	Certifique-se de que não existem riscos grandes/profundos.
Pulverização de pó	Após encher a câmara de pó, pulverize pó para uma cuspeira, etc, e certifique-se de que o pó não sai das ligações exceto da ligação da ponta do bico.
Pulverização de água	Após encher a câmara de pó, pulverize pó para uma cuspeira, etc e certifique-se de que a água não sai das ligações exceto da ligação da ponta do bico.
Câmara	Certifique-se de que não existem riscos grandes/profundos.
Instalar/remover a peça de mão, a mangueira da peça de mão, a garrafa de irrigação e a câmara	Certifique-se de que podem ser instalados e retirados suavemente. Se estiverem soltos ou demasiado apertados, os anéis vedantes podem ficar danificados ou deteriorados. Substitua os anéis vedantes. (Consulte "10 Cuidados e manutenção".)

13 Código de erro

"Error" e um código de erro são apresentados no painel LCD da unidade de controle se este produto parar de funcionar devido a avaria, pressão excessiva, desativação ou utilização incorreta. Pressione o botão D do pedal de controle para efetuar novamente a verificação dos erros. Se o problema não for detetado, o estado do erro é eliminado e este produto fica operacional. Se o código de erro ainda estiver apresentado, consulte a tabela abaixo e tome os passos necessários para resolver o problema.

Código de erro	Descrição do erro	Verificação/solução
0	Erro do sistema	Ligue a unidade de controle novamente. Se o erro não desaparecer, contacte um distribuidor autorizado NSK.
1	Anomalia na tensão de 24 V	
2	Anomalia na tensão de 12 V	
3	Anomalia na potência da bomba	Verifique a ligação da bomba de irrigação. Se o problema persistir, contacte um distribuidor autorizado NSK.
4	Anomalia na pressão do ar	Verifique a pressão de ar de admissão. Se o problema persistir, contacte um distribuidor autorizado NSK.
5	Anomalia na tensão de aquecimento	Ligue a unidade de controle novamente. Se o erro não desaparecer, contacte um distribuidor autorizado NSK.
6	Anomalia na potência de aquecimento	
7	Anomalia na temperatura de aquecimento	Verifique o circuito da água e alimente água à unidade de controle. Permita que a unidade de controle arrefeça antes de a utilizar. Se o erro não desaparecer, contacte um distribuidor.
8	Anomalia na comunicação do pedal de controle	Verifique a ligação do pedal de controle. Se o problema persistir, contacte um distribuidor autorizado NSK.
9	Anomalia da peça de mão ultrassónica	Verifique a ligação da peça de mão. Se o problema persistir, contacte um distribuidor autorizado NSK.
12	Anomalia na comunicação do sensor tátil	Coloque o interruptor de alimentação para OFF e novamente para ON. Se o problema persistir, contacte um distribuidor autorizado NSK.
13	Erro na autoverificação da unidade ultrassónica	
14	Erro do sistema da unidade ultrassónica	

14 Resolução de problemas

Se tiver problemas, verifique o seguinte antes de contactar um distribuidor autorizado NSK.

(Modo Ultrasonic e Modo Powder)



Problema	Causa	Solução
Emissão de um bip	A alimentação foi ligada enquanto o pedal de controle estava premido.	Solte o pedal de controle e coloque o interruptor de alimentação para ON.
	Aquecimento anormal da unidade de controle.	Interrompa o funcionamento e permita que a unidade de controle arrefeça.
O painel tátil não reage bem ou a tecla premida não é reconhecida corretamente.	A calibração está ligeiramente desalinhada devido a eletricidade estática, ruído exógeno, etc.	Coloque o interruptor de alimentação para OFF e novamente para ON.
	A tecla não foi premida no centro.	Toque no centro da tecla.
<ul style="list-style-type: none"> • A água não para • O nível de água não pode ser ajustado 	Danos ou desgaste do anel vedante.	Siga o procedimento em "10-1-5 Conector na base da câmara" para substituir o anel vedante.
	Obstrução por materiais estranhos no circuito de água.	Efetue a limpeza automática. Se o sintoma persistir, contacte um distribuidor autorizado NSK.

(Modo Ultrasonic)



Problema	Causa	Solução
São ouvidos sons de alarme, e a apresentação do modo Ultrasonic (P/E/G) e "ULTRASONIC" ficam em intermitência alternada quando o botão D do pedal de controle é pressionado.	O sensor integrado no suporte da peça de mão está sujo e deteta erroneamente a introdução da peça de mão.	Limpe o sensor.
Pouca/Nenhuma vibração.	A ficha do cabo elétrico c.a. não está ligada à tomada de parede ou não está a ser abastecida eletricidade pela tomada de parede.	Verifique a ligação.
	O fusível está queimado.	Consulte "10-5 Substituir o fusível" e substitua o fusível.
	A ponta não está bem apertada.	Rode a chave da ponta (CR-10) até fazer um som de clique e não rodar mais. Se o problema persistir, substitua a chave da ponta (CR-10), uma vez que pode estar gasta.
	Ponta gasta.	Substitua a ponta.
	As peças aparafusadas da peça de mão e da ponta não estão limpas.	Limpe-as.
	As peças aparafusadas da peça de mão estão gastas como resultado de um longo período de utilização.	Contacte um distribuidor autorizado NSK.*
	A alimentação não foi ajustada corretamente para a ponta.	Ajuste a alimentação de forma a não exceder o nível de potência máximo referido no guia de potência da ponta ou na etiqueta da embalagem da ponta.
	O pedal de controle está desligado.	Ligue a ficha do cabo do pedal de controle corretamente.
	Falha do dispositivo de vibração na peça de mão.	Contacte um distribuidor autorizado NSK.*
	Falha de componentes internos do pedal de controlo.	Contacte um distribuidor autorizado NSK.*
A ponta está dobrada ou partida.	A alimentação não foi ajustada corretamente para a ponta.	Ajuste a alimentação de forma a não exceder o nível de potência máximo referido no guia de potência da ponta ou na etiqueta da embalagem da ponta.
A ponta cai.	A ponta não está bem apertada.	Aperte a ponta até a chave da ponta (CR-10) fazer um som de clique.

Problema	Causa	Solução
Ruído proveniente da peça de mão.	A alimentação não foi ajustada corretamente para a ponta.	Ajuste a alimentação de forma a não exceder o nível de potência máximo referido no guia de potência da ponta ou na etiqueta da embalagem da ponta.
	A ponta não está bem apertada.	Rode a chave da ponta (CR-10) até fazer um som de clique e não rodar mais. Se o problema persistir, substitua a chave da ponta (CR-10), uma vez que pode estar gasta.
	Falha de vibração no contra ângulo ou na unidade de controle.	Contacte um distribuidor autorizado NSK.*
A peça de mão está a sobreaquecer.	A alimentação não foi ajustada corretamente para a ponta.	Ajuste a alimentação de forma a não exceder o nível de potência máximo referido no guia de potência da ponta ou na etiqueta da embalagem da ponta.
	A ponta não está bem apertada.	Rode a chave da ponta (CR-10) até fazer um som de clique e não rodar mais. Se o problema persistir, substitua a chave da ponta (CR-10), uma vez que pode estar gasta.
	As peças aparafusadas da peça de mão e da ponta não estão limpas.	Limpe-as.
	As peças aparafusadas da peça de mão estão gastas como resultado de um longo período de utilização.	Contacte um distribuidor autorizado NSK.*
	O volume de irrigação é insuficiente ou a irrigação parou.	Irrigue a um volume adequado.
	Falha de vibração na peça de mão ou na unidade de controle.	Contacte um distribuidor autorizado NSK.*
Sem fornecimento de irrigação e/ou fornecimento de irrigação instável (ao utilizar a garrafa)	O tubo de irrigação está torcido.	Endireite o tubo de irrigação torcido.
	Está na altura de substituir a bomba de irrigação.	Substitua por uma bomba de irrigação nova (Consulte 10-2 Substituir a bomba de irrigação).
Pouca/Nenhuma alimentação de água. (ao utilizar água da torneira)	Não está a ser alimentada água à unidade de controle.	Verifique o circuito da água de modo a que seja alimentada água à unidade de controle. Pressão de alimentação de água: 0,1 - 0,3 MPa
	O volume de irrigação está definido para "0".	Ajuste para o volume de irrigação adequado utilizando a definição do volume de irrigação.
	A alimentação de água pode ser instável quando o volume de irrigação é insuficiente.	Tal não representa uma avaria. Aumente o volume de irrigação na definição do volume de irrigação.
	O filtro de água está obstruído com substâncias estranhas.	Substitua o filtro de água por um novo.
Fuga de água.	O tubo de irrigação não está ligado corretamente.	Introduza o tubo de irrigação completamente no conector de irrigação.
	O anel vedante no cabo da peça de mão está gasta ou danificada.	Substitua por uma junta circular nova seguindo os procedimentos em "10-1-1 Cabo da Peça de Mão".
	O circuito da água na unidade de controle está danificado.	Contacte um distribuidor autorizado NSK.*
O LED da peça de mão não fica ativo.	A peça de mão não está ligado ao cabo da peça de mão corretamente.	Introduza a peça de mão completamente no cabo da peça de mão.
	Falha na unidade de controle.	Contacte um distribuidor autorizado NSK.*



Problema	Causa	Solução
São ouvidos alarmes, e "POWDER" e o ícone de dente ficam em intermitência alternada quando o botão D ou B do pedal de controle é pressionado.	O sensor integrado no suporte da peça de mão está sujo e deteta erroneamente a introdução do contra ângulo.	Limpe o sensor.
	A câmara não está bem instalada.	Instale bem a câmara até ouvir o som de confirmação.
Não é possível ouvir o som de confirmação, ou o ícone que indica o modo Prophy ou o modo Perio não é apresentado quando a câmara é instalada.	Falha na unidade de controle (desativação).	Contacte um distribuidor autorizado NSK.*
Sem abastecimento de ar e pó. Ou o ar e o pó são abastecidos mas a pressão não é suficientemente forte e o pó de limpeza também é fraco.	O interior da ponta do bico está obstruído com pó.	Substitua a ponta do bico.
	O interior da peça de mão está obstruído com pó.	Limpe a base do bico com o fio de limpeza (pequeno) fornecido e a extremidade com a lima de limpeza. Além disso, limpe o interior da peça de mão com o fio de limpeza (grande). Se o pó e o ar não fluírem após serem limpos conforme descrito acima, execute a limpeza ultrassônica com água quente. (Consulte "9-2-3 Limpeza ultrassônica".)
	O interior da câmara está obstruído com pó.	Remova o pó do interior da câmara seguindo os procedimentos em "9-4 Limpar a câmara e a mangueira".
	O pó solidificou parcialmente com a água, etc. na passagem de ar.	Remova o pó do interior da câmara seguindo os procedimentos em "9-2-1 Limpeza automática".
	O recipiente do pó foi deixado aberto, expondo o pó ao ar.	Elimine o pó e use pó novo.
	Mistura de água no ar de alimentação.	Abra o filtro no circuito de alimentação de ar para drenar o compressor, e verifique se não ocorreu acumulação de água no interior do filtro de ar e do dreno do compressor.
	O elemento VCP está intupido.	Contacte um distribuidor autorizado NSK.*
Fuga de água entre a peça de mão e a mangueira.	O anel vedante está riscado.	Substitua o anel vedante na secção de articulação da peça de mão, aplique um pingo do óleo de turbina fornecido e espalhe-o com o dedo. (Consulte "10-1-2 Mangueira da peça de mão (Para utilização Prophy e utilização Perio)".)
Não é possível retirar a câmara porque o botão de bloqueio não pode ser premido	O botão está bloqueado	Siga o procedimento "Libertar o botão de bloqueio" em "9-4 Limpar a câmara e a mangueira" para libertar o bloqueio. Se o sintoma persistir, contacte um distribuidor autorizado NSK.*

* Não pode ser corrigido em clínicas, etc.

15 Especificações

<Unidade de controle>

Modelo	Varios Combi Pro
Fonte de alimentação	CA 100 V - 240 V 50/60 Hz
Frequência de acionamento	28 - 32 kHz
Entrada de potência	78 - 98VA
Saída máxima	11 W
Pressão de alimentação de ar	0,55 - 0,75 MPa (5,5 - 7,5 kgf/cm ²)
Pressão de alimentação de água	0,1 - 0,3 MPa (1,0 - 3,0 kgf/cm ²)
Volume da garrafa	400 ml
Volume de irrigação (Modo Ultrasonic)	5,0 - 70,0 mL/min (Modo de irrigação: água de garrafa/torneira, Pressão da entrada de água: 0,2 MPa)
Dimensões	L225 × P290 × A162 mm (Incluindo garrafa de irrigação e câmara)
Peso	2,7 kg (Garrafa de irrigação e câmara não incluídas)

<Pedal de controle>

Modelo	FC-79
Comprimento do cabo	2,5 m
Dimensões	L204 × P157 × A128 mm (incluindo suporte)
Peso	415 g (incluindo suporte)

<Peça de mão Ultrassônica>

Modelo	VA2-LUX-HP
Comprimento do cabo	1,8 m (conector não incluído)
Tipo de oscilação	Tipo Piezo
Luz	LED branco
Dimensões	φ20 × 103 mm (cabo não incluído)
Peso	54 g (cabo não incluído)

<Peça de mão de pó>


Modelo	PROPHY-HP/PERIO-HP
Comprimento da mangueira	1,8 m (conector não incluído)
Dimensões	φ16 × 107 mm (cabo não incluído)
Peso	33 g (cabo não incluído)

	Temperatura	Humidade	Pressão atmosférica
Ambiente de utilização*2	0 - 40°C	35 - 75%*1	–
Ambiente de armazenagem e transporte	-10 - 50°C	10 - 85%	500 - 1.060 hPa

*1 Sem condensação

*2 A utilização deste produto em condições diferentes das especificadas acima pode causar avarias.

16 Classificação do equipamento

- Tipo de proteção contra descargas elétricas:
 - Equipamento de classe I
- Grau de proteção contra descargas elétricas:
Peça aplicada do tipo B:  (Peças aplicadas: ponta ultrassônica, peça de mão ultrassônica, ponta do bico, peça de mão de pó)
- Método de esterilização ou desinfecção recomendado pelo fabricante:
Esterilização em autoclave
- Grau de proteção contra a penetração de água segundo a edição atual da norma CEI 60529:
 - Pedal de controle: IPX1 (Protegido contra quedas de água na vertical)
- Grau de segurança da utilização em presença de uma mistura anestésica inflamável com ar, oxigénio ou óxido nitroso:
 - Equipamento NÃO adequado para utilização na presença de uma mistura anestésica inflamável com ar, oxigénio ou óxido nitroso.
- Modo de funcionamento:
 - Funcionamento contínuo

17 Princípio de funcionamento

















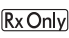




Modo Ultrasonic

O gerador fornece um sinal elétrico sinusoidal a frequência ultrassônica ($f > 20$ kHz). Este sinal é aplicado à "cerâmica piezoelétrica" no interior do transdutor. A cerâmica piezoelétrica converte este sinal em vibrações mecânicas. Estas vibrações estão à mesma frequência ultrassônica que o sinal elétrico. As vibrações mecânicas são propagadas para a extremidade distal do transdutor. O inserto "TIP" (Ponta), que está instalado na extremidade distal do transdutor, vibra a frequências ultrassônicas e para atingir a finalidade do equipamento.

Modo Powder

Pulveriza pó utilizando a pressão do ar para limpar a superfície dos dentes.

18 Símbolos

	Este instrumento pode ser esterilizado em autoclave até uma temperatura máxima de 135°C.		Este instrumento pode ser limpo com um desinfetador térmico.
	Em conformidade com a Diretiva Europeia CE relativa a Equipamento Médico 93/42/CEE.		Fabricante.
	Representante autorizado na União Europeia.		Para a eliminação do instrumento e acessórios, consulte a Diretiva relativa aos Resíduos de Equipamento Elétrico e Eletrónico (WEEE) (2012/19/UE)
	Consulte as instruções de funcionamento.		Peça aplicada do tipo B.
	Protegido contra pingos		Exclusivamente para utilização em interiores.
	Símbolo no exterior do equipamento ou das peças do equipamento que incluem transmissores RF ou que utilizam energia eletromagnética RF para diagnóstico ou tratamento		Limite de temperatura.
	Não reutilizável.		Data de validade
	Manter seco.		Código de lote
	Cuidado: A legislação norte-americana limita a venda deste aparelho por ou sob encomenda de um médico autorizado		Número de série
	Esterilização		Cuidado
	GS1 DataMatrix identificador exclusivo do dispositivo.		

19 Garantia

Os produtos NSK dispõem de garantia contra erros de fabrico e defeitos de material. A NSK reserva-se o direito de analisar e determinar a causa de qualquer problema. A garantia é anulada se o produto não for utilizado corretamente ou para o efeito a que se destina, ou se tiver sido desmontado por pessoas sem qualificação, ou se tiverem sido instaladas peças que não da NSK. As peças sobresselentes permanecem disponíveis durante sete anos depois da descontinuação do modelo.

20 Lista de peças opcionais

Modelo	Código de encomenda	Notas
Calibrador MG-4H Multi	Z109400	
Suporte da ponta	Z221080	
Set Perio	Y1003042	Peça de mão de pó (Para utilização Perio) Câmara (Para utilização Perio) Mangueira da peça de mão (Para utilização Perio) Pó Perio-Mate Ponta de plástico Perio-Mate (40 peças) Extrator da Ponta Perio-Mate
Peça de mão de pó (Para utilização Perio)	T1077001	
Câmara (Para utilização Perio)	U1135019	
Mangueira da peça de mão (Para utilização Perio)	T1053001	
Bico (Para utilização Perio)	T1077012	
Pó Perio-Mate	Y900938	2 garrafas, cada garrafa contém 160 g
Ponta de plástico Perio-Mate	Y1002741	40 peças
Extrator da Ponta Perio-Mate	T1043751	
Válvula de redução da pressão de água	U1135093	

21 Lista de peças sobresselentes

Modelo	Código de encomenda	Notas
FC-79	Z1256001	Pedal de controle
Conjunto de garrafa VCP	U1135017	Garrafa e tampa (garrafa de irrigação, tampa da garrafa de irrigação)
Tampa da garrafa VCP	U1135116	Apenas tampa (tampa da garrafa de irrigação)
Garrafa VCP (apenas garrafa)	U1135099	Apenas garrafa (garrafa de irrigação)
Conjunto de anéis vedantes (Garrafa de irrigação)	Y1003544	Um anel vedante grosso e um fino
Anel Vedante	Y1003546	1 para o cabo da peça de mão
Anel vedação set (Conector base da câmara)	Y1003435	
Anel vedação set (Mangueira da peça de mão)	Y1003500	Um de cada, grosso e fino Peças comuns para uso Prophy e uso Perio
Anel vedação set (Conector)	Y1003501	Um de cada, grosso e fino Peças comuns para uso Prophy e uso Perio
Anel Vedante	Y1003545	Para a tampa da câmara
Cabo da Peça de Mão	E351054	
Peça de mão ultrassônica	E351050	
Estojo de Esterilização	Z1035001	Para peças ultrassônicas
Chave da Ponta (CR-10)	Z221076	
Conjunto do Tubo de Água	U1135078	
Filtro de água	U387042	
Chave de aperto (5x8)	Y1001301	2
Bomba de irrigação	U1135079	Anel do conector não incluído
FLASH pearl	Y900698	4 garrafas, cada garrafa contém 300 g
Set Prophy	Y1003771	Peça de mão de pó (Para utilização Prophy) Câmara (Para utilização Prophy) Mangueira da peça de mão (Para utilização Prophy) FLASH pearl (5 sachês) Anel vedante sobressalente
Câmara (Para utilização Prophy)	U1135018	
Mangueira da peça de mão (Para utilização Prophy)	T1051001	
Peça de mão de pó (Para utilização Prophy)	T1074001	
Bico (Para utilização Prophy)	T1074012	
Tampa da câmara	U1135089	Apenas tampa
Lima de limpeza	T798092	Para a extremidade distal e o interior do bico
Fio de limpeza (S)	T798095	Para a raiz do bico
Fio de limpeza (L)	T798091	Para peças que não as indicadas acima

Modelo	Código de encomenda	Notas
Escova de limpeza	T798093	
Ferramenta de desbloqueio	U1135256	
Chave de luneta	T1074601	
Óleo de turbina	Z016112	
Mangueira de ar	D0914406036	
Fusível	D1202220010	Valor nominal T2AH250V

22 Eliminação do produto

De forma a evitar os riscos sanitários para os operadores encarregados da eliminação de equipamento médico e os riscos de contaminação ambiental, a esterilização do equipamento deve ser confirmada por um cirurgião ou dentista. Solicite a eliminação do produto a empresas especializadas e autorizadas para o tratamento de resíduos industriais controlados.

23 Informação CEM (Compatibilidade Eletromagnética)

Informação e declaração do fabricante – emissões eletromagnéticas

O instrumento deve ser utilizado no ambiente eletromagnético especificado abaixo. O cliente ou o utilizador do instrumento deve certificar-se de que este é utilizado em tal ambiente.


Ensaio de emissões	Cumprimento	Ambiente eletromagnético - Informação
Emissões de RF CISPR11/EN55011	Grupo 1	O instrumento utiliza energia de RF apenas para a sua função interna. Como tal, as emissões de RF são bastante baixas e não é provável que causem qualquer interferência no equipamento eletrónico nas proximidades.
Emissões de RF CISPR11/EN55011	Classe B	Este instrumento é adequado para utilização em todos os estabelecimentos, incluindo estabelecimentos domésticos e os diretamente ligados à rede pública de eletricidade de baixa tensão que abastece edifícios utilizados para fins domésticos.
Emissões harmónicas EN/CEI61000-3-2	classe A (exceto 120 V)	
Flutuações de tensão/ emissões de tremulação EN/CEI61000-3-3	Cumprimento (exceto 120 V)	

Informação e declaração do fabricante – imunidade eletromagnética

O instrumento deve ser utilizado no ambiente eletromagnético especificado abaixo. O cliente ou o utilizador do instrumento deve certificar-se de que este é utilizado em tal ambiente.

Ensaio de imunidade	Nível de ensaio EN/ IEC60601	Nível de cumprimento	Ambiente eletromagnético - Informação
Descarga eletrostática (ESD) EN/CEI61000-4-2	±(2,4)6 kV contacto ±(2,4)8 kV ar	±(2,4)6 kV contacto ±(2,4)8 kV ar	Os pisos devem ser de madeira, betão ou cerâmica. Se forem revestidos com um material sintético, a humidade relativa deve ser, pelo menos, 30%.
Transiente elétrico rápido/ rajada EN/CEI61000-4-4	±2 kV para linhas de potência ±1 kV para linhas de entrada/ saída	±2 kV para linhas de potência ±1 kV para linhas de entrada/ saída	A qualidade da alimentação elétrica deve ser a prevista para um ambiente hospitalar ou comercial.
Sobretensão EN/CEI61000-4-5	±1 kV linha(s) para linha(s) ±2 kV linha(s) para terra	±1 kV linha(s) para linha(s) ±2 kV linha(s) para terra	A qualidade da alimentação elétrica deve ser a prevista para um ambiente hospitalar ou comercial.
Quedas de tensão, interrupções breves e variações de tensão nas linhas de entrada de potência EN/CEI61000-4-11	<5% Ut (>95% de queda em Ut) durante 0,5 ciclos 40% Ut (60% de queda em Ut) durante 5 ciclos 70% Ut (30% de queda em Ut) durante 0,5 ciclos <5% Ut (>95% de queda em Ut) durante 5 segundos	<5% Ut (>95% de queda em Ut) durante 0,5 ciclos 40% Ut (60% de queda em Ut) durante 5 ciclos 70% Ut (30% de queda em Ut) durante 0,5 ciclos <5% Ut (>95% de queda em Ut) durante 5 segundos	A qualidade da alimentação elétrica deve ser a prevista para um ambiente hospitalar ou comercial. Se o utilizador do instrumento exigir o funcionamento contínuo durante interrupções de energia elétrica, recomenda-se que o instrumento seja alimentado por uma bateria ou fonte de alimentação sem interrupções.
Frequência de potência (50/60 Hz) do campo magnético EN/CEI61000-4-8	3 A/m	3 A/m	Os campos magnéticos da frequência de potência devem situar-se em níveis característicos de um ambiente comercial ou hospitalar comum.

NOTA: 'Ut' é a tensão de rede CA antes da aplicação do nível de teste.

Informação e declaração do fabricante – imunidade eletromagnética			
O instrumento deve ser utilizado no ambiente eletromagnético especificado abaixo. O cliente ou o utilizador do instrumento deve certificar-se de que este é utilizado em tal ambiente.			
Ensaio de imunidade	Nível de ensaio EN/ IEC60601	Nível de cumprimento	Ambiente eletromagnético - Informação
RF conduzida EN/CEI61000-4-6	3 Vrms 150 kHz a 80 MHz	3 Vrms	Os equipamentos de comunicações RF portáteis e móveis não devem ser utilizados perto de qualquer parte do produto, incluindo cabos, a uma distância inferior à distância de separação recomendada calculada com a equação aplicável à frequência do transmissor. Distância de separação recomendada $d = 1,2 \sqrt{P}$ $d = 1,2 \sqrt{P}$ 80 MHz a 800 MHz $d = 2,3 \sqrt{P}$ 800 MHz a 2,5 GHz Em que P é a potência de saída nominal máxima do transmissor em watts (W) segundo o fabricante e (d) a distância recomendada em metros (m). As intensidades de campo de transmissores RF fixos determinadas por uma análise eletromagnética do local(a) devem ser inferiores ao nível de conformidade em cada intervalo de frequência(b). Pode ocorrer interferência na proximidade de equipamento com este símbolo: 
RF irradiada EN/CEI61000-4-3	3 V/m 80 MHz a 2,5 GHz	3 V/m	
NOTA 1: A 80 MHz e 800 MHz, aplica-se o intervalo de frequência superior.			
NOTA 2: Estas indicações não se aplicam a todas as situações. A propagação eletromagnética é afetada pela absorção e reflexão das estruturas, objetos e pessoas.			
a: As intensidades de campo de transmissores fixos, como estações base para telefones de rádio (móveis/sem fios) e rádios móveis terrestres, rádio amador, transmissão de rádio AM e FM e transmissão de TV não podem ser previstas teoricamente com precisão. Deve ser considerada uma análise eletromagnética do local para avaliar o ambiente eletromagnético criado por transmissores fixos RF. Se a intensidade de campo medida no local onde o instrumento é utilizado exceder o nível de conformidade de RF aplicável acima indicado, o instrumento deve ser vigiado para comprovar o funcionamento normal. Se verificar um desempenho anormal, podem ser necessárias medidas adicionais, como a reorientação ou o reposicionamento do instrumento.			
b: No intervalo de frequência de 150 kHz a 80 MHz, a intensidade de campo deve ser inferior a 3 V/m.			

Cabos e acessórios	Comprimento máximo	Cumprimento de	
Cabo da Peça de Mão	2,0 m (não blindado)	Emissões de RF CISPR11	Classe B/Grupo 1
Cabo do pedal de controle	2,5 m (não blindado)	Emissões harmónicas, (exceto 120 V) Flutuações de tensão/emissões de tremulação, (exceto 120 V)	EN/CEI61000-3-2 EN/CEI61000-3-3
Cabo Elétrico c.a.	3,0 m (não blindado)	Descarga eletrostática (ESD): Transiente elétrico rápido/rajada: Sobretensão: Quedas de tensão, interrupções breves e variações de tensão nas linhas de entrada de potência: Frequência de potência (50/60 Hz) do campo magnético: RF conduzida: RF irradiada:	EN/CEI61000-4-2 EN/CEI61000-4-4 EN/CEI61000-4-5 EN/CEI61000-4-11 EN/CEI61000-4-8 EN/CEI61000-4-6 EN/CEI61000-4-3

Distâncias recomendadas entre o equipamento de comunicações RF portátil e móvel e o aparelho

O aparelho deve ser utilizado num ambiente eletromagnético com interferências RF irradiadas controladas. O cliente ou o utilizador do aparelho podem ajudar a prevenir as interferências eletromagnéticas, mantendo uma distância mínima entre o equipamento de comunicações RF portátil e móvel (transmissores) e o próprio aparelho da forma recomendada seguidamente, de acordo com a potência de saída máxima do equipamento de comunicação.

Potência de saída nominal máxima do transmissor	Distância de acordo com a frequência do transmissor em m		
	150 kHz a 80 MHz $d = 1,2 \sqrt{P}$	80 MHz a 800 MHz $d = 1,2 \sqrt{P}$	800 MHz a 2,5 GHz $d = 2,3 \sqrt{P}$
0,01	0,12	0,12	0,23
0,1	0,38	0,38	0,73
1	1,2	1,2	2,3
10	3,8	3,8	7,3
100	12	12	23

Nos transmissores cuja potência de saída nominal máxima não está descrita acima, a distância de separação recomendada "d" em metros (m) pode ser calculada com a equação aplicável à frequência do transmissor, em que "P" é potência de saída máxima nominal do transmissor em watts (W) segundo o fabricante.

NOTA 1: A 80 MHz e 800 MHz, aplica-se o intervalo de frequência superior.

NOTA 2: Estas indicações não se aplicam a todas as situações. A propagação eletromagnética é afetada pela absorção e reflexão das estruturas, objetos e pessoas.

NAKANISHI INC.  www.nsk-inc.com

700 Shimohinata, Kanuma, Tochigi 322-8666, Japan

NSK Europe GmbH 

Elly-Beinhorn-Strasse 8
65760 Eschborn, Germany

NSK France SAS

32 rue de Lisbonne
75008 Paris, France

NSK United Kingdom Ltd

Office 5, Gateway 1000, Arlington Business Park
Whittle Way, Stevenage, SG1 2FP, UK

NSK Dental Spain SA

C/ Modena, 43 El Soho-Europolis
28232 Las Rozas, Madrid, Spain

NSK America Corp

1800 Global Parkway, Hoffman Estates
IL 60192, USA

NSK America Latina Ltda

Rua Blumenau, 735 - Sala 02, América
Joinville, SC 89204-251, Brazil

NSK Oceania Pty Ltd

Unit 12/809-821 Botany Road
Rosebery, NSW 2018, Australia


NSK Asia

9 Tampines Grande, #03-15
528735, Singapore

NSK Middle East

Room 6EA701, 7th Floor, East Wing No.6
Dubai Airport Free Zone, PO Box 54316, Dubai, UAE

Specifications are subject to change without notice.

2019.04.03 001 

<https://stomshop.pro/>